

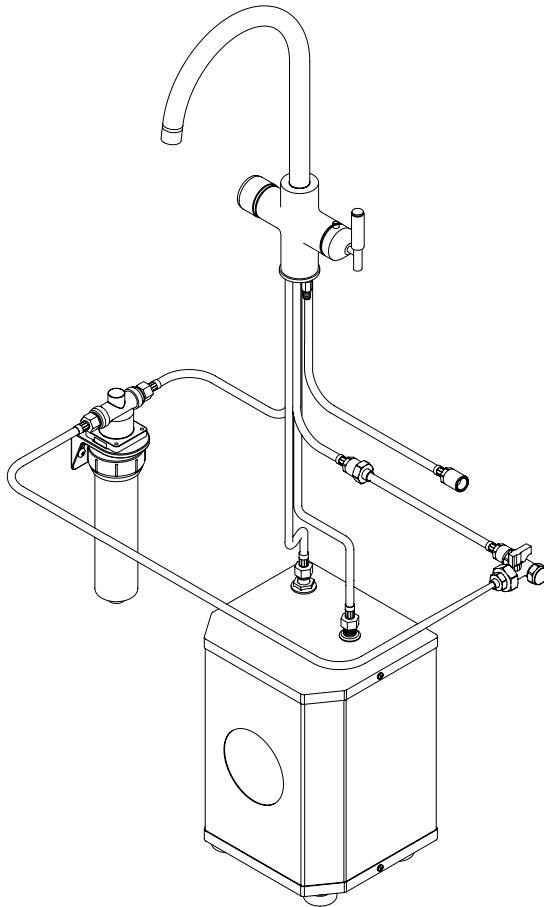
BUSTER+PUNCH

LONDON

KITCHEN TAP / 4-IN-1 / INSTANT HOT WATER / FILTER KIT PREPARATION AND INSTALLATION

INSTRUCTION, CARE AND USE

BEFORE INSTALLING, READ THIS GUIDE FIRST.



**DISCLAIMER: THIS PRODUCT IS NOT
SUITABLE FOR COMMERCIAL USE.**

BUSTERANDPUNCH.COM

L0221

A Kitchen Tap / 4-in-1 with dual levers. This pack includes a 4-in-1 Tap, an instant hot water tank and a filter kit. A pressure regulator valve may be required and can be purchased separately.

This appliance is not intended for use by persons (including children) with reduced physical, sensory or mental capabilities, or lack of experience and knowledge, unless they have been given supervision or instruction concerning use of appliance by a person responsible for their safety. Children should be supervised to ensure that they do not play with hot water tap. To reduce the risk of injury, close supervision is required when an appliance is used near children.

DISCLAIMER: WHEN NOT IN USE AND BEFORE CLEANING, ALWAYS UNPLUG THE APPLIANCE.

IMPORTANT NOTES:

This appliance is designed solely to dispense warm, cold, filtered and near-boiling water (up to 98°C). Other types of use are not permitted and may prove dangerous. Buster and Punch Limited will not be held liable for any damage caused by incorrect use of the appliance.

Read the user instructions carefully before using the appliance for the first time.

To protect against fire, electrical shock and injury to persons, do not immerse cord or plugs in water or other liquid. Never touch the plug with damp hands.

Never touch the under-counter parts of the appliance with damp hands.

Make sure the socket used is freely accessible at all times, enabling the appliance to be unplugged when necessary.

Unplug directly from the plug only. Never pull the power cable as you could damage it.

If the appliance is faulty, do not attempt to repair it; unplug from the mains electric socket and contact 'info@busterandpunch.com'

Keep all packaging (plastic bags, polystyrene foam) away from children.

This appliance produces very hot water; steam may form while it is in operation. Avoid contact with splashes of hot water or hot steam.

Do not rest vessels containing liquids, inflammable or corrosive materials on top of any part of the appliance.

Do not rest large or unstable objects on any part of the appliance.

The use of accessory attachments not recommended by Buster and Punch Limited may result in fire, electric shock or injury.

Buster and Punch Limited cannot be held responsible for injuries or losses due to incorrect use or installation of this product.

NOTE: INSTALLATION INSTRUCTION MANUAL APPLICABLE FOR KITCHEN TAP 4-IN-1, INSTANT HOT WATER & FILTER KIT SUPPLIED BY BUSTER + PUNCH. PRODUCT VARIATIONS COVERED BY THIS INSTRUCTION MANUAL ARE LISTED BELOW:

*KITCHEN TAP / 4-IN-1 (WARM / COLD / FILTERED / INSTANT HOT) / CROSS /
KITCHEN TAP / 4-IN-1 (WARM / COLD / FILTERED / INSTANT HOT) / LINEAR /*

DECLARATION OF CONFORMITY

4-IN-1 TAP

Buster and Punch Limited, registered office 29 St Peters Street Stamford Lincolnshire PE9 2PF hereby declares that the 4 in 1 mixer taps conforms to: **EUROPEAN STANDARD EN817.**

Note: Some local housing regulations may require mixer taps to be of a higher minimum water pressure standard. In this instance please consult a suitably qualified plumber about installing a pressure regulator valve or similar device prior to installing.

INSTANT HOT WATER TANK

Buster and Punch Limited, registered office 29 St Peters Street Stamford Lincolnshire PE9 2PF hereby declares that the instant hot water tank conforms to:

2006/95/EEC DIRECTIVE (LOW VOLTAGE)

IEC 60335-2-15:2012, AMD1:2016

IEC 60335-1:2010, AMD1:2013, AMD2:2016

2004/108/ECC EMC DIRECTIVE

EN 55014-1:2017

EN 61000-3-2:2014

EN 61000-3-3:2013

EN 55014-2:2015

2015/863 RoHS DIRECTIVE (EU)

2011/65/EU DIRECTIVE

IMPORTANT INFORMATION FOR CORRECT DISPOSAL OF THE PRODUCT IN ACCORDANCE WITH EC DIRECTIVE 2002/96/EC.

At the end of its working life, the product must not be disposed of as urban waste. It must be taken to a special local authority differentiated waste collection centre or to a dealer providing this service.



Disposing of a household appliance separately avoids possible negative consequences for the environment and health deriving from inappropriate disposal and enables the constituent materials to be recovered to obtain significant savings in energy and resources. As a reminder of the need to dispose of household appliances separately, the product is marked with a crossed-out wheeled dustbin.

TECHNICAL SPECIFICATIONS

VOLTAGE: 220-240VAC 50HZ

RATED POWER: 1500W

MIN PRESSURE: 1 BAR

MAX PRESSURE: 5 BAR*

WATER TANK CAPACITY: 2.4L

*The 4-in-1 instant hot water tap may safely be run from a higher-pressure cold-water supply provided a suitable pressure reducing valve is fitted to the cold water supply pipe.

ELECTRICAL INFORMATION



WARNING! INSTANT HOT WATER TANK MUST BE EARTHED.

The mains lead of this appliance has been fitted with a BS 1363A 13Amp fused plug. To change a fuse in this type of plug, follow the steps below:

1. Remove the fuse cover and fuse.
2. Fit replacement 13A fuse, ASTA approved to BS 1362 type, into the fuse cover.
3. Replace fuse cover.

WARRANTY

4-IN-1 TAP: 2 YEARS

INSTANT HOT WATER TANK: 2 YEARS

The warranty covers supply of parts only. It does not cover labour costs or issues resulting from insufficient limescale maintenance. Please note Buster and Punch Limited reserve the right to invalidate the guarantee supplied with this product due to incorrect installation or misuse of the appliance.

SPECIFICATION WITHIN WARRANTY:

MINIMUM RECOMMENDED WATER PRESSURE: 7.25 PSI (0.5 BAR).

MAXIMUM RECOMMENDED WATER PRESSURE: 72 PSI (5 BAR).

RECOMMENDED MAXIMUM HOT WATER TEMPERATURE: 98 °C (208°F).

RECOMMENDED TEMPERATURE RANGE: 5 – 98 °C (41 – 208 °F).

MIXED WATER HANDLE OPERATION RANGE: 0-90°

UK FLEXIBLE CONNECTOR HOSE DIAMETER: 1/2" Ø

EU FLEXIBLE CONNECTOR HOSE DIAMETER: 3/8" Ø



THE GUARANTEE WILL BECOME INVALID IN THE EVENT THE TANK FILTER IS NOT REPLACED EVERY 6 (SIX) MONTHS. FILTER KIT IS AVAILABLE ON WWW.BUSTERANDPUNCH.COM



EXCEEDING THESE TEMPERATURES OR WATER PRESSURES CAN RESULT IN DAMAGE TO THE TAP. IF YOUR HOUSE HAS HIGHER PRESSURE THAN 5 BAR, A PRESSURE REGULATOR VALVE MAY BE REQUIRED TO BE FITTED BY A CERTIFIED PLUMBER. YOU CAN PURCHASE AN ADEQUATE PRESSURE REGULATOR VALVE FROM WWW.BUSTERANDPUNCH.COM

INSTALLATION

It is the installer's responsibility to ensure that your 4-in-1 instant hot water tap is fitted in accordance with all prevailing national standards and local water bye-laws.

It is important to ensure that the plumbing part of the installation is completed and has been tested to ensure it is free of leaks before any electrical connection is made to the unit.

Do not install the appliance in rooms where the temperature may drop to 0°C or lower.

If the tap or the water tank has been stored prior to installation in a place where the temperature could have fallen below 0°C, they should be allowed to acclimatise at room temperature for a minimum of one hour prior to connection to a water supply.

PREPARATION FOR INSTALLATION

Before installing the 4-in-1 instant hot water tap it is essential to thoroughly flush through the supply pipes in order to remove any remaining solder, swarf or impurities from your system. Failure to carry out this simple procedure could cause problems or damage to the workings of the instant hot water tap.

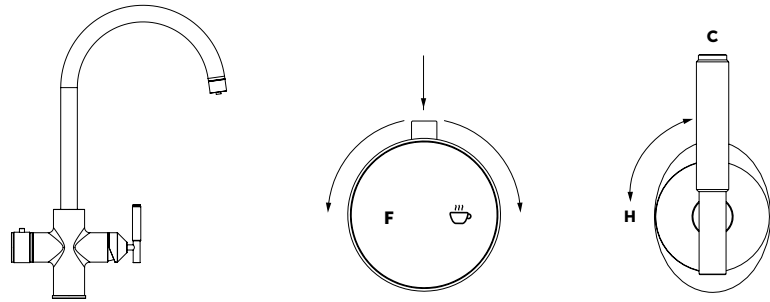
We strongly recommend installing particle filter strainers and isolation valves to both the hot and cold feed pipes in an accessible position. This will help to prevent premature failure and ease any future maintenance.

All parts should be removed from their packaging and inspected for any transport damage prior to installation.

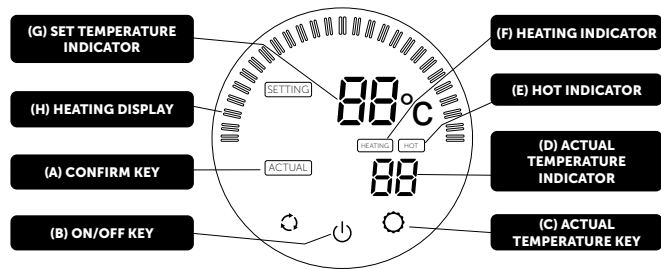
This hot water tap requires a 35 MM diameter tap hole; if replacing an existing tap, remove the old tap & clean the ends of the feed pipes using wire wool; the tap hole area should also be free from dirt and sealant.

USING THE 4-IN-1 TAP

The left-hand lever offers near-boiling water from your instant hot water tank and filtered cold water. The right-hand lever mixes water from the hot and cold pipes in your kitchen.



USING THE INSTANT HOT WATER TANK



CONTROL PANEL

TO SWITCH THE INSTANT HOT WATER HEATER ON OR OFF

Touch the "On/Off" key (B) once to switch the water heater on. Touch the "On/Off" key (B) once again at any time to switch the water heater off.

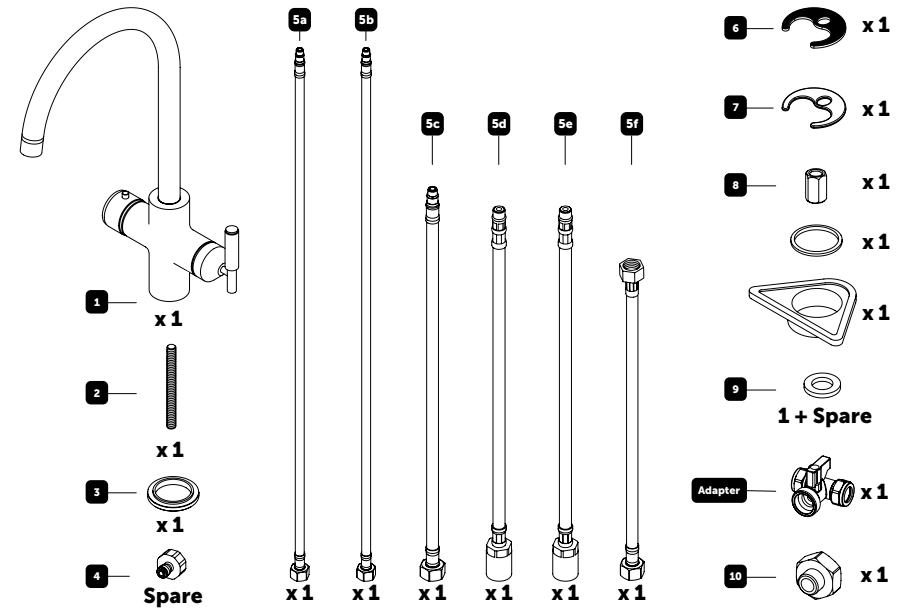
TO SET THE WATER TEMPERATURE

Touch the "Temperature" key (C) several times to scroll through the available temperatures. When the "Set temperature" indicator (G) shows the temperature you want, touch the "Confirm" key (A) once to confirm this setting. If the "Confirm" key (A) is not touched within five seconds the temperature setting will revert back to its previous level.

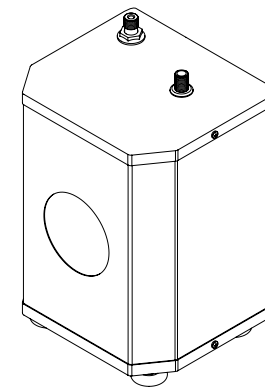
NOTE

- At all times, the "Actual temperature" indicator (D) shows the actual temperature of the water in the reservoir/heater unit.
- When the water is heating the "Heating" indicator (F) will illuminate and the "Heating" display (H) will illuminate.
- When the water in the reservoir/heater unit is at the set temperature the "Hot" indicator (E) will illuminate and the "Heating" display (H) will illuminate constantly.
- If the "Set temperature" indicator flashes "99" this means that the heater is energised but there is insufficient water in the tank. Touch the "On/Off" key (B) to switch off the water heater, then prime the tank (refer to "priming the installation" in the installation section below).

TAP BOX CONTENT

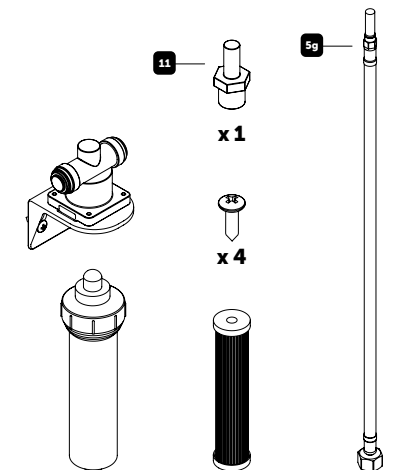


BOILER TANK CONTENT



x1

FILTER KIT CONTENT

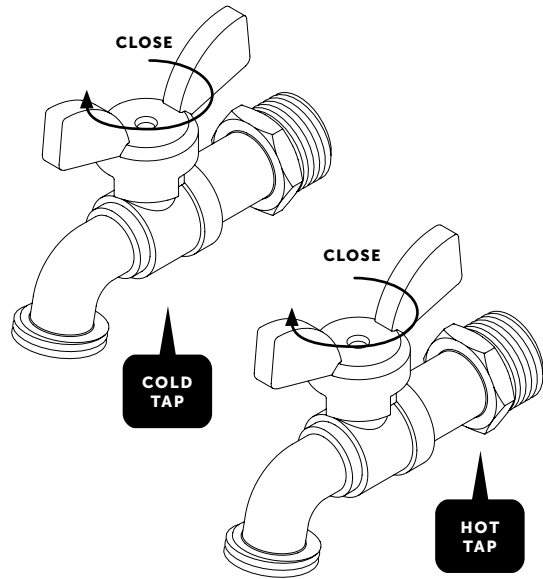


x1

x1

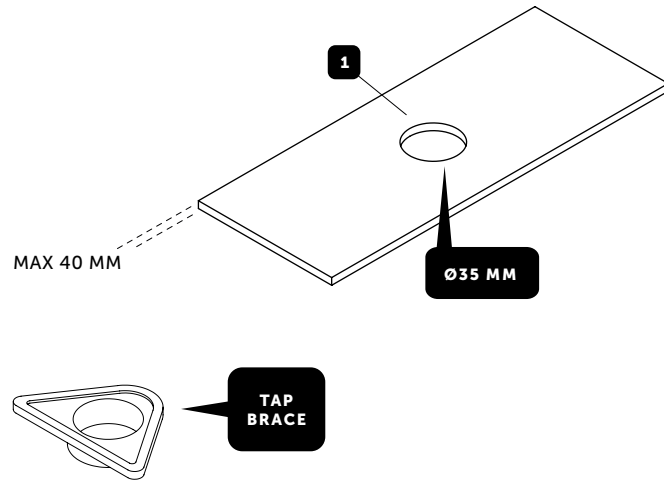
x1

1



CLOSE HOT AND COLD WATER SUPPLIES BEFORE STARTING.

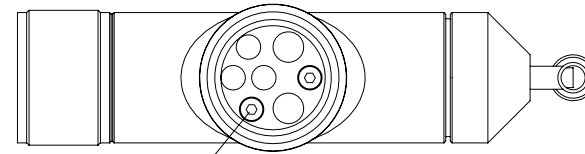
2



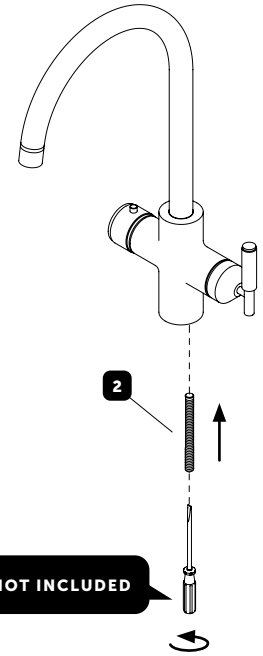
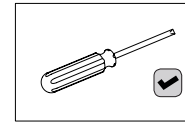
FOR SURFACES <5 MM USE THE TAP BRACE & O-RING PROVIDED

3

SCREW THE FIXING STUD INTO INDICATED POSITION WITH A SCREWDRIVER.



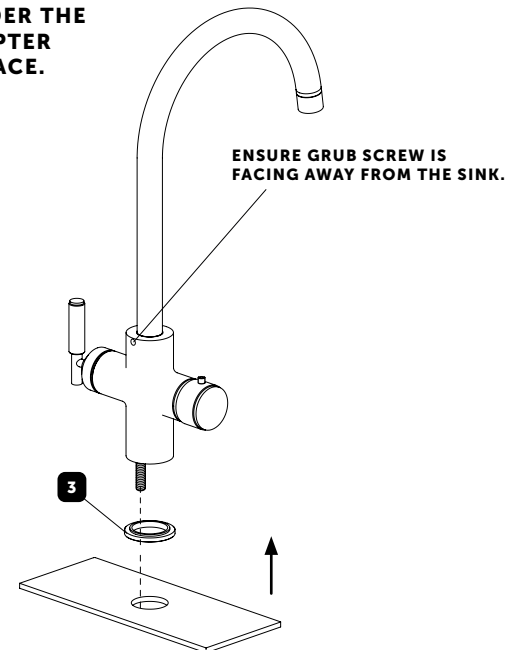
FIXING STUD



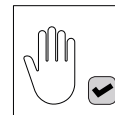
NOT INCLUDED

4

PLACE THE ADAPTER PIECE UNDER THE TAP, THEN PLACE TAP AND ADAPTER PIECE TOGETHER ON THE SURFACE.



ENSURE GRUB SCREW IS FACING AWAY FROM THE SINK.



5 SCREW HOSES INTO PLACE AS SHOWN IN THE DIAGRAM, USE 6 MM ALLEN KEY TO SECURE HOSES 5A, 5B AND 5C.

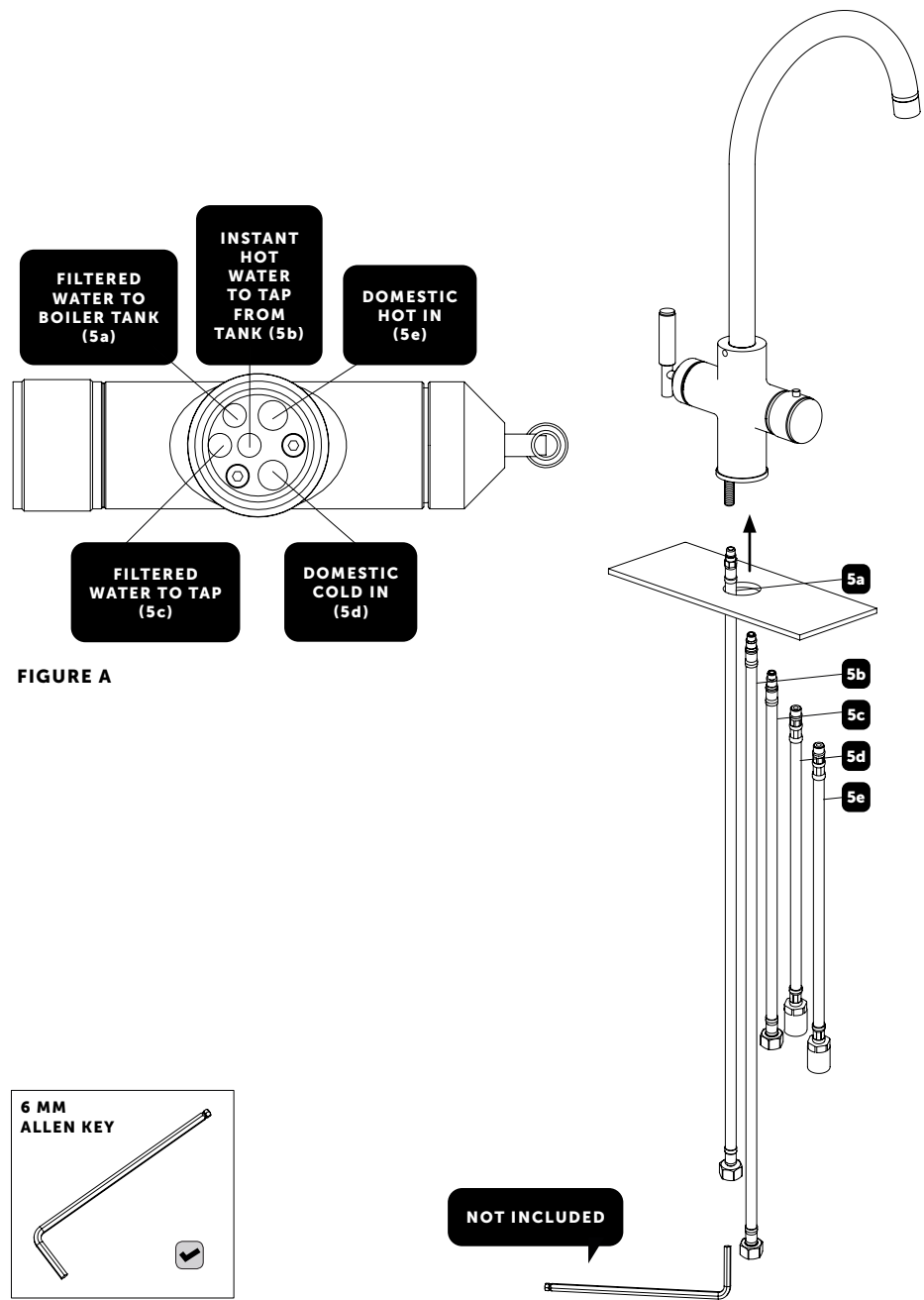
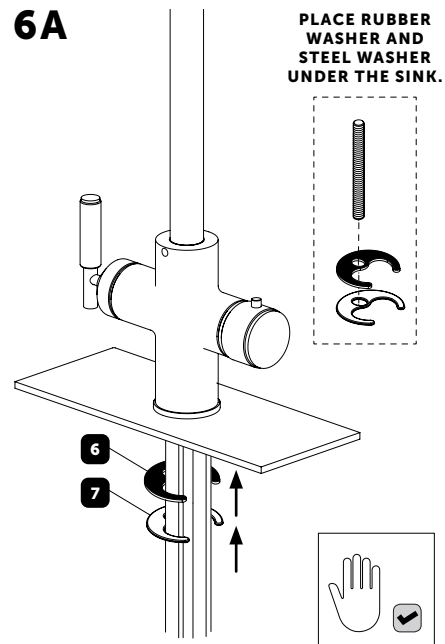
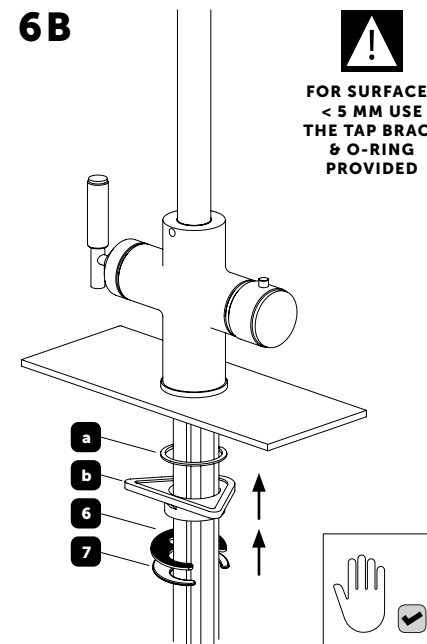


FIGURE A

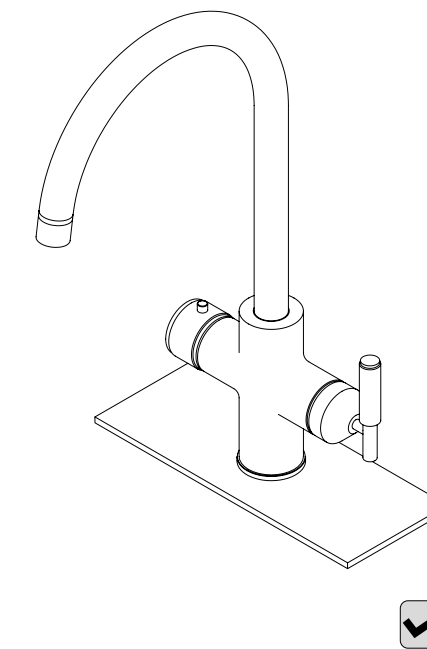
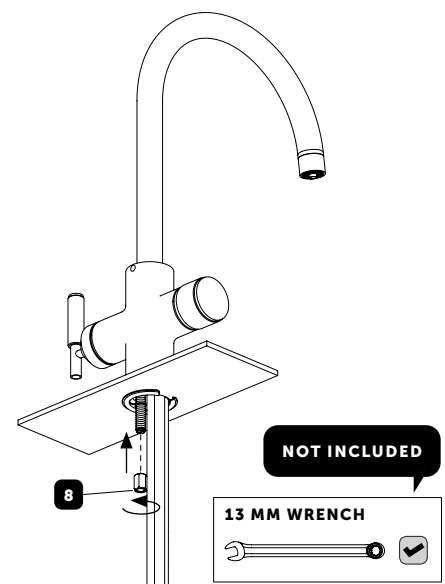
6A



6B



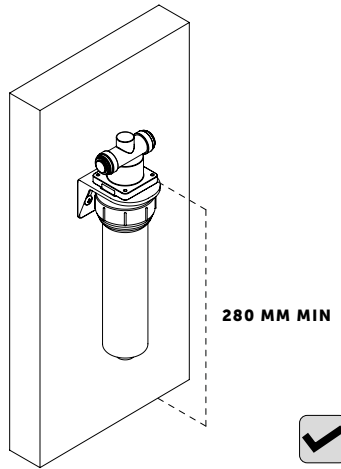
7 SECURE THE WASHERS WITH LONG NUT.



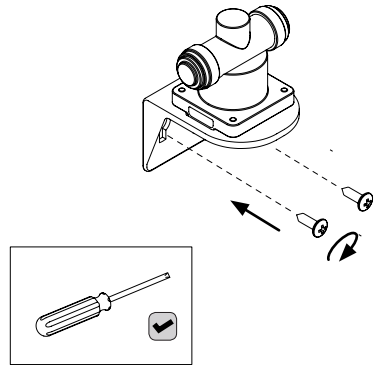
FILTER KIT POSITIONING + INSTALLATION

The filter kit should be at least 280 MM in height.

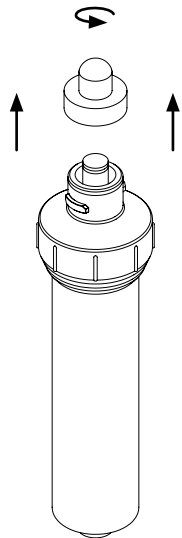
The filter is supplied pre-assembled to its plastic wall bracket. This should be mounted in a convenient location on a wall or cabinet side, taking into consideration the length and routing of the connecting hoses.



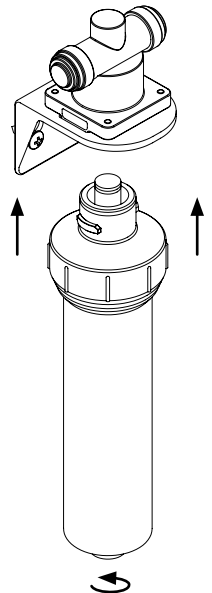
8.1 ASSEMBLE THE FILTER KIT AS SHOWN.



8.2



8.3



THE WATER TANK POSITIONING + INSTALLATION

The water tank should be positioned on a flat level surface.

There needs to be a minimum air-space of 150 MM to each side of the water tank.

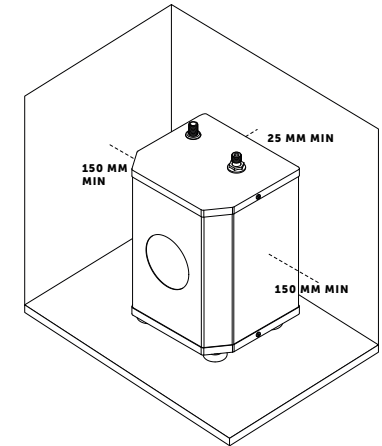
There needs to be a minimum air-space of 25 MM to the rear of the water tank.

Ensure access to any stopcocks, valves, waste traps or other plumbing fittings that may require service is not impeded.

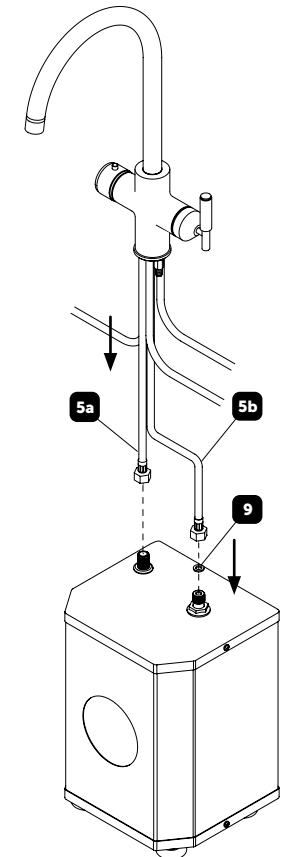
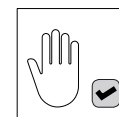
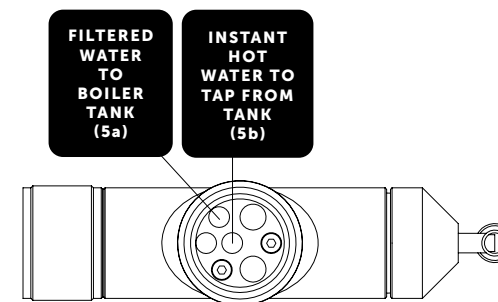
The front display and operating controls are readily accessible and visible.

All connecting hoses should be installed without stretching or twisting them.

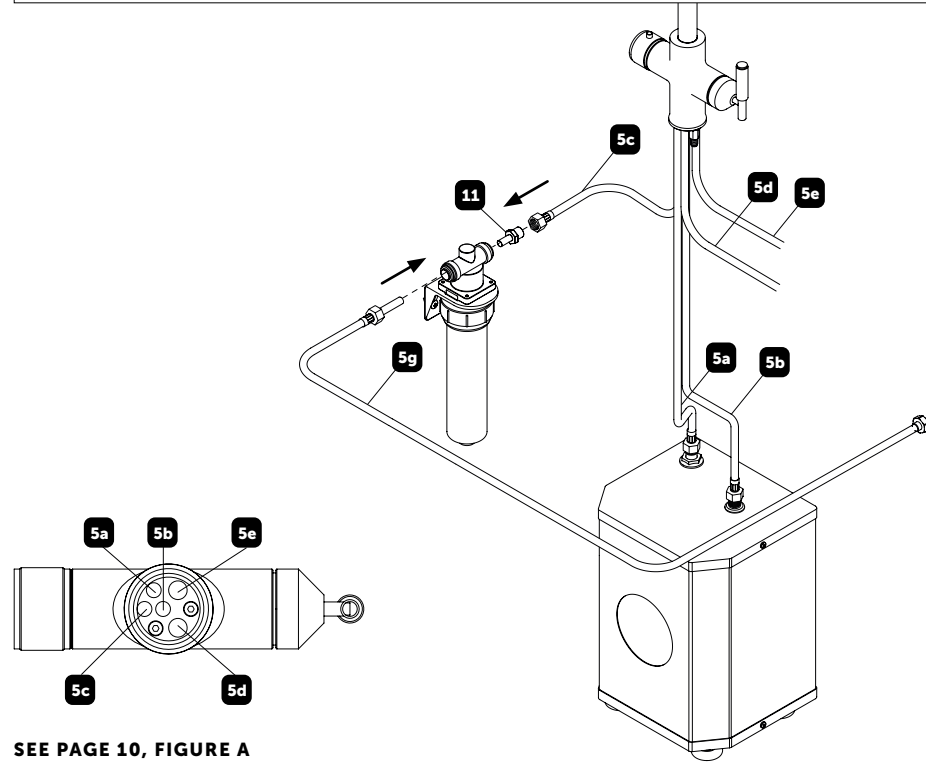
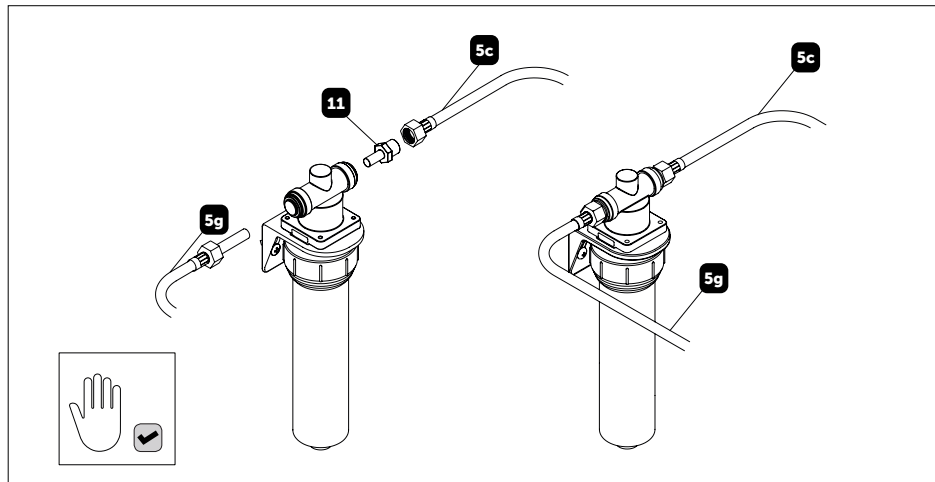
Ensure there is a fused 13A power supply within reach of the power cable, with that cable supported for its full length and not stretched.



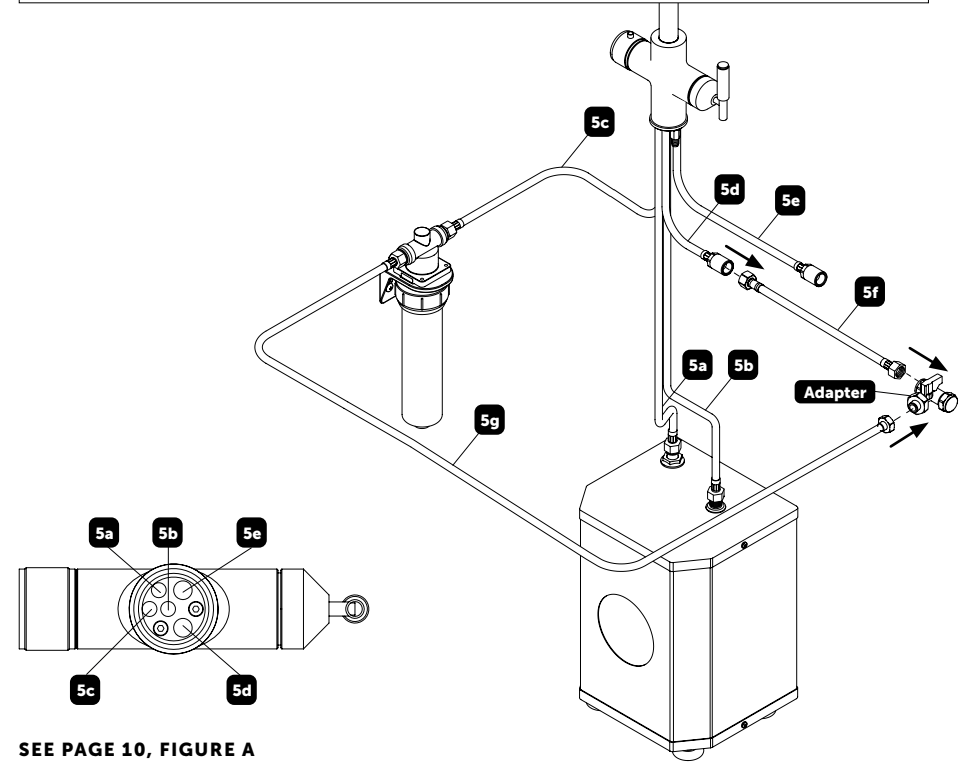
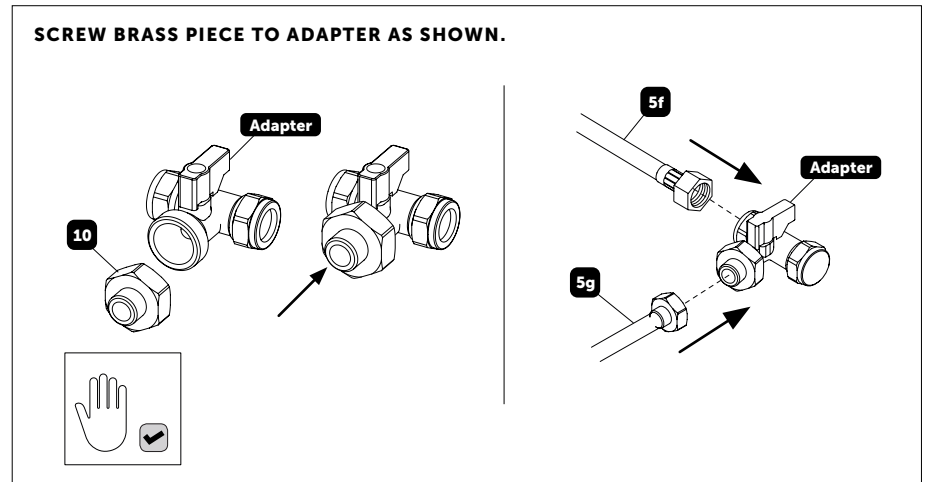
9 CONNECT THE 5A AND 5B HOSES TO INSTANT HOT WATER TANK. PLACE BLUE RUBBER WASHER BEFORE 5B HOSE.



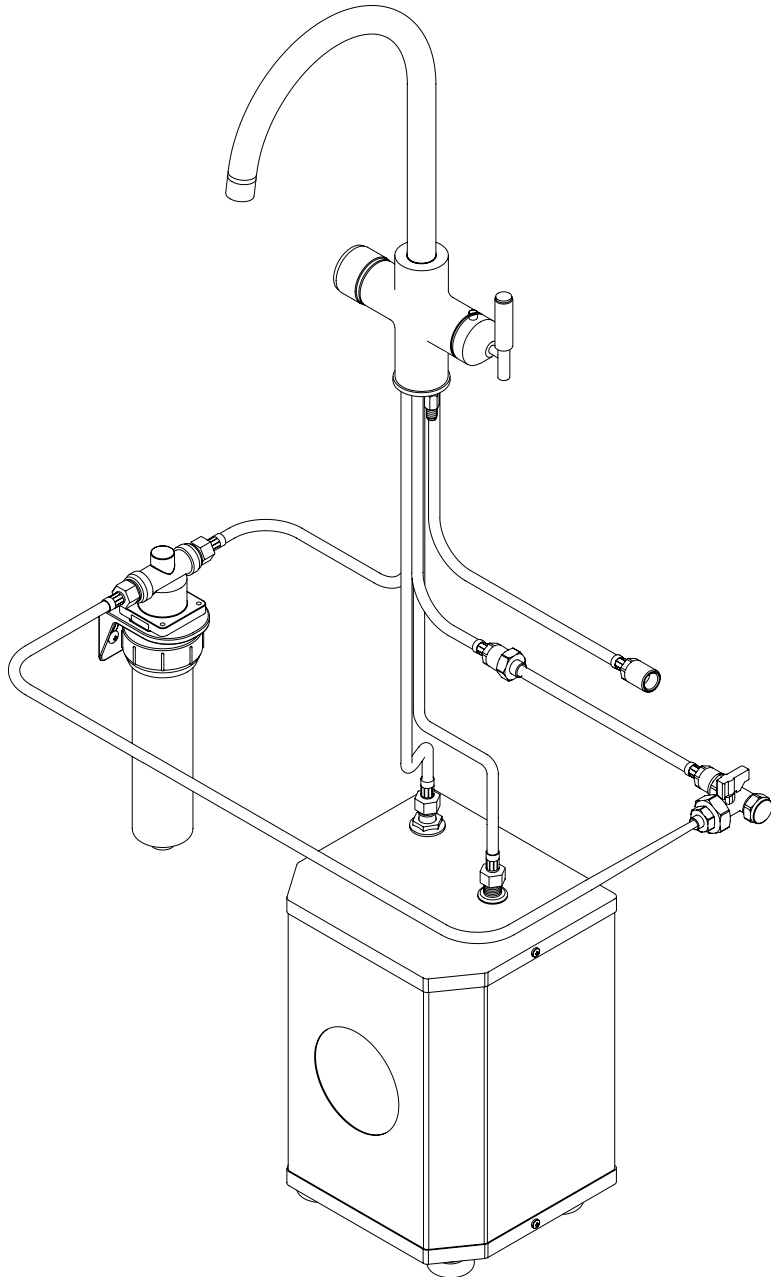
10 SCREW ADAPTER PIECE TO 5C HOSE. CONNECT THE 5C+ADAPTER PIECE AND 5G HOSES TO FILTER KIT AS SHOWN.



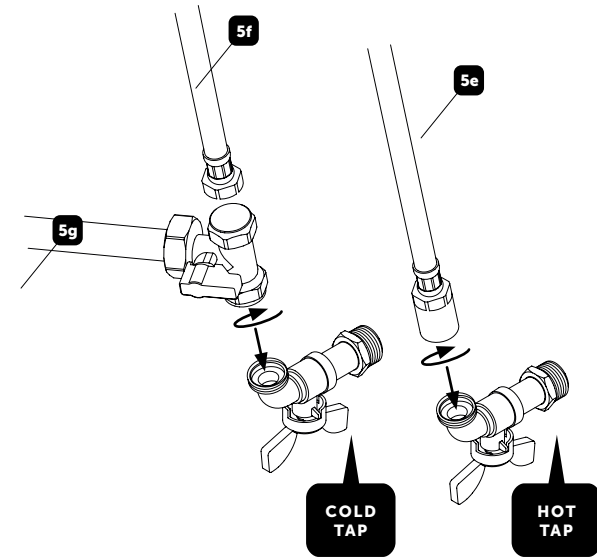
11 SCREW THE 5D HOSE TO 5F HOSE. SCREW 5F HOSE TO ADAPTER. SCREW 5G HOSE TO ADAPTER + BRASS PIECE.



FINAL ASSEMBLY



12 SCREW THE ADAPTER TO THE COLD WATER SUPPLY. SCREW THE 5E HOSE TO THE HOT WATER SUPPLY.



PRIMING THE INSTALLATION

Ensure all connections are securely tightened, that hoses are not stretched or kinked and that all hoses are safely supported, before turning on the water supply.

Open all installed water valves to allow water to flow to the 4-in-1 instant hot water tap.

Turn the filtered-instant hot water handle to the instant hot position and hold until water flows from the tap spout, this indicates the tap's reservoir is full.

Return the filtered-instant hot water handle to its rest position, then check all connections are tight and free of leaks.

Any leaking joint must be tightened and the surrounding area dried before connecting the power supply.

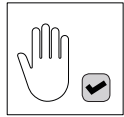
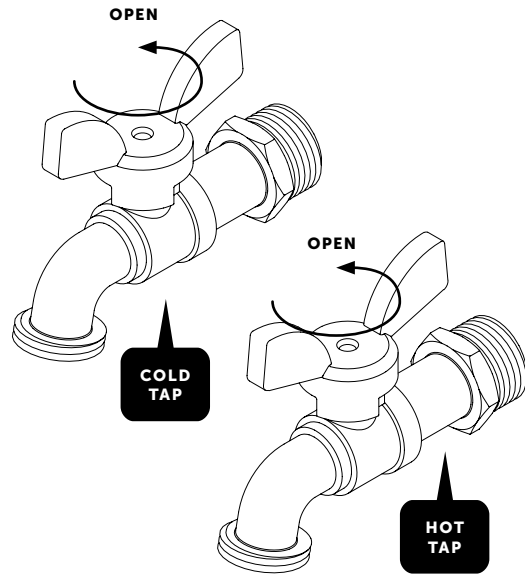
ONLY CONNECT THE ELECTRICITY SUPPLY TO THE RESERVOIR/HEATER UNIT AT THIS STAGE: INSERT THE PLUG INTO ITS SOCKET AND SWITCH ON.



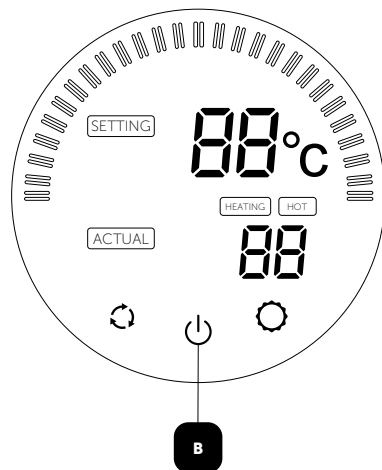
CHECK WATER PRESSURE BEFORE INSTALLING. IF THE WATER PRESSURE IS HIGHER THAN 5 BAR, IT COULD LEAD SEVERE DAMAGES TO THE APPLIANCES AND THE GUARANTEE BECOMES INVALID.

YOU CAN PURCHASE A PRESSURE REGULATOR VALVE FROM WWW.BUSTERANDPUNCH.COM

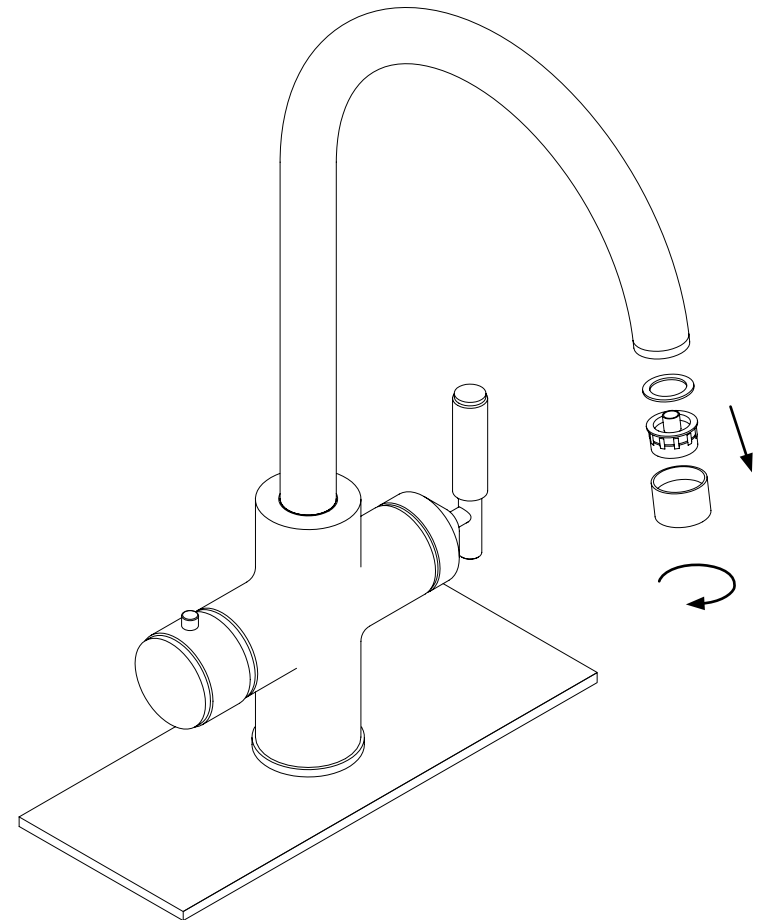
13 OPEN HOT AND COLD WATER SUPPLY BEFORE HOT WATER TANK SETUP.



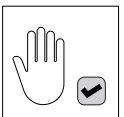
14 TOUCH THE "ON/OFF" KEY (B) ONCE TO SWITCH THE WATER HEATER ON.



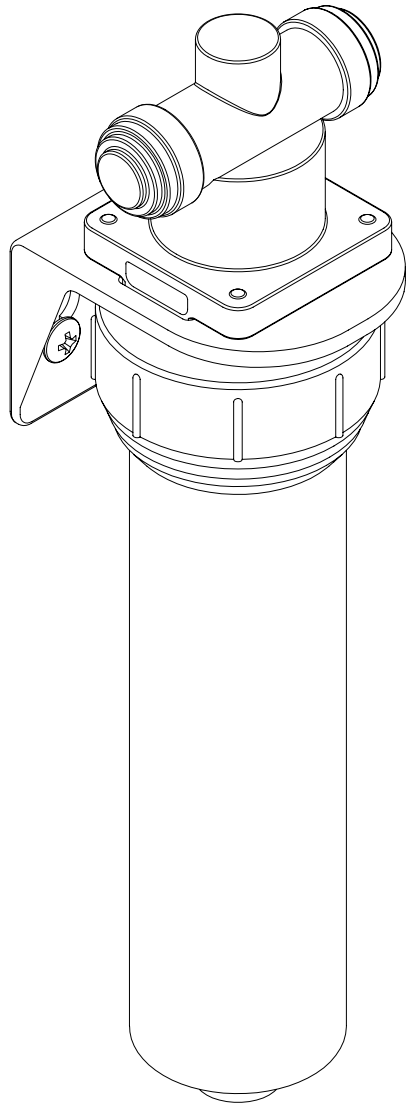
AERATOR MAINTENANCE



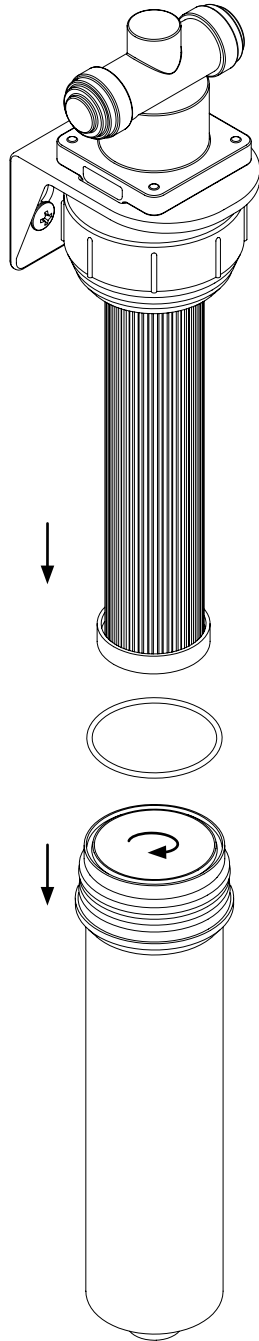
RECOMMENDED TO BE CLEANED AT LEAST ONCE A MONTH.
NOTE: IF THERE IS A BUILDUP OF LIME-SCALE IT MAY BE WORTH REPLACING AERATOR.



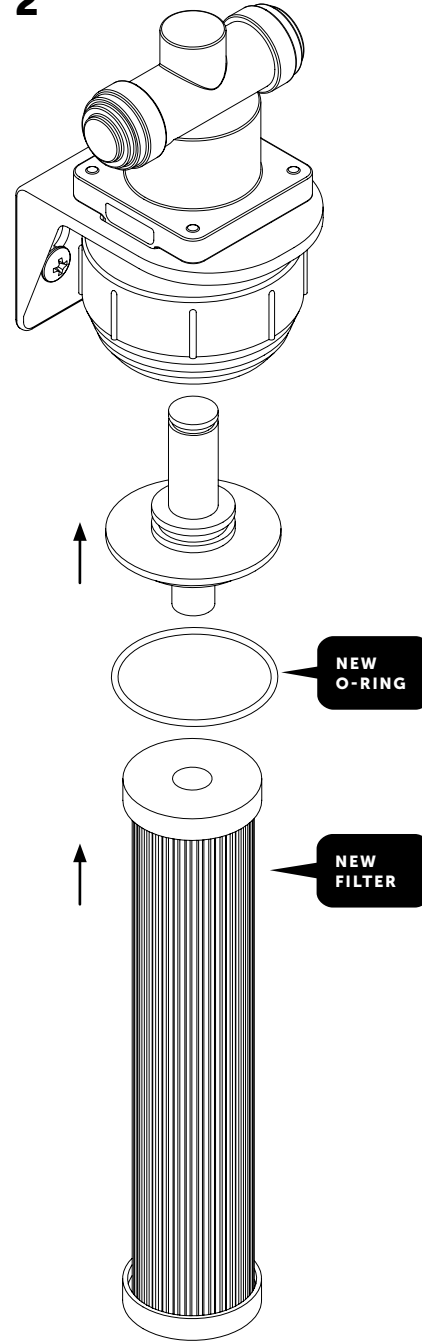
REPLACEMENT WATER FILTER



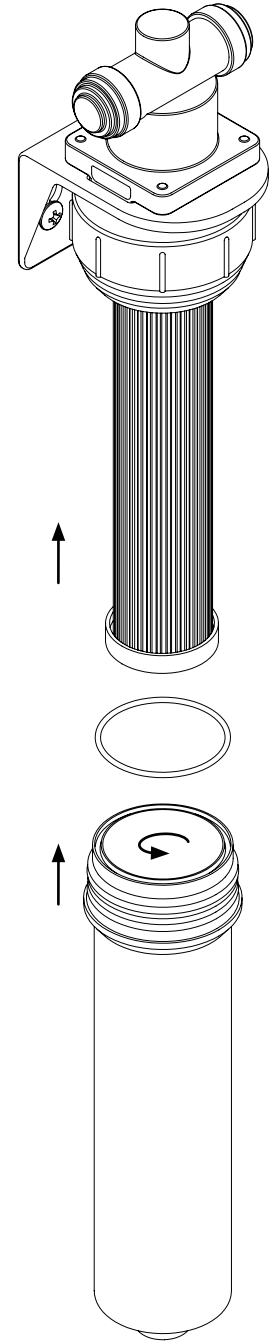
1



2



3



CARE AND MAINTENANCE

IMPORTANT: DO NOT PERFORM MAINTENANCE OR CLEANING OF THE RESERVOIR/HEATER UNIT WITHOUT FIRST SWITCHING OFF THE ELECTRICITY SUPPLY.

CLEANING

You should use a non-abrasive cleaner. Any abrasive cleaner (including Cif) will scratch the surface and could erase the control panel markings.

You can clean the exterior of your reservoir/heater unit effectively by simply using a cloth dampened in a dilute solution of water and mild detergent then drying with a clean cloth, for example the CDA E-Cloth.

TROUBLESHOOTING

Below is a list of some of the possible malfunctions.

If the problem cannot be resolved as described, contact INFO@BUSTERANDPUNCH.COM

PROBLEM	POSSIBLE CAUSE	REMEDY
"Set temperature" indicator flashes "99".	Insufficient water in the tank.	Prime the installation as described in the installation instructions in previous pages.
Water and Steam is spitting from the instant hot water tap spout.	Unit is boiling.	Turn the instant hot water tap handle on and release the water. Adjust the water temperature on the display to a lower setting.
Water is not hot.	The electronic instant hot water appliance is unplugged. There has been a power cut. The electronic unit has not been powered up. Water temperature setting on display panel is set too low.	Make sure the 4-in-1 instant hot water appliance is plugged in and connected to an earthed electricity outlet. Make sure that the circuit breaker and fuse are working correctly. Reset the temperature then press the confirm key (see page 6). Turn on the power and touch the on/off button, then set the required temperature and confirm the boiler heats up. Set the temperature to the required level and confirm the boiler heats up.
Water drips from the 4-in-1 instant hot water tap spout.	The expansion chamber isn't draining the system correctly due to very small draw off of water. The spout is blocked.	Draw off 0.5L of water to clear and prime the system. Avoid drawing off less than 150ml of water at a time. Remove and clean the aerator on the tap.
Slow flow from the spout.	The water filter may be clogged from impurities in the inlet mains water.	The water filter must be changed every 6 months. Failure to do this will void the guarantee.
Water does not flow immediately.	The 4-in-1 instant hot water tap is designed for non-pressurised operation so there will be slight delay before the near-boiling water starts to flow.	This is not a fault. Note that after a large volume of water has been drawn off, there may be a short delay before the instant hot water flows again.
No water flows.	Water Valves have been turned off. Inlet pipes have become twisted or blocked.	Turn on all the water valves. Ensure the pipes are not twisted or kinked and restricting flow. Remove and clean the aerator.

[end. **ORDINARY**]