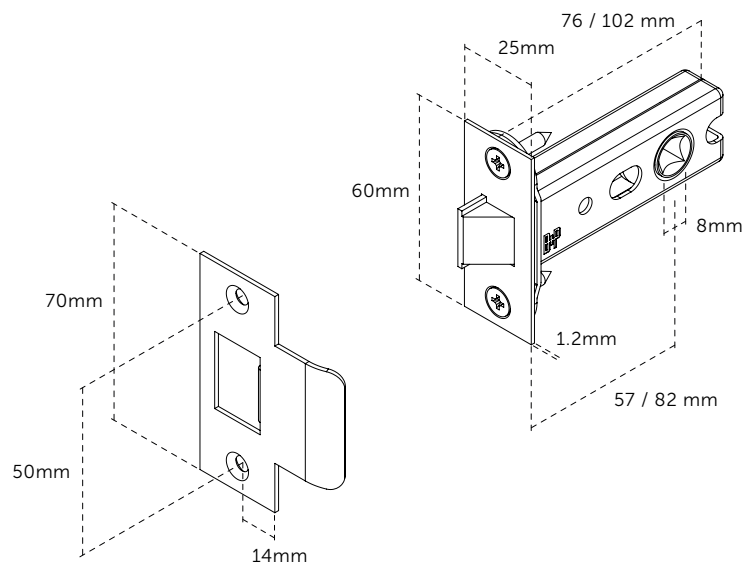


BUSTER + PUNCH

LONDON

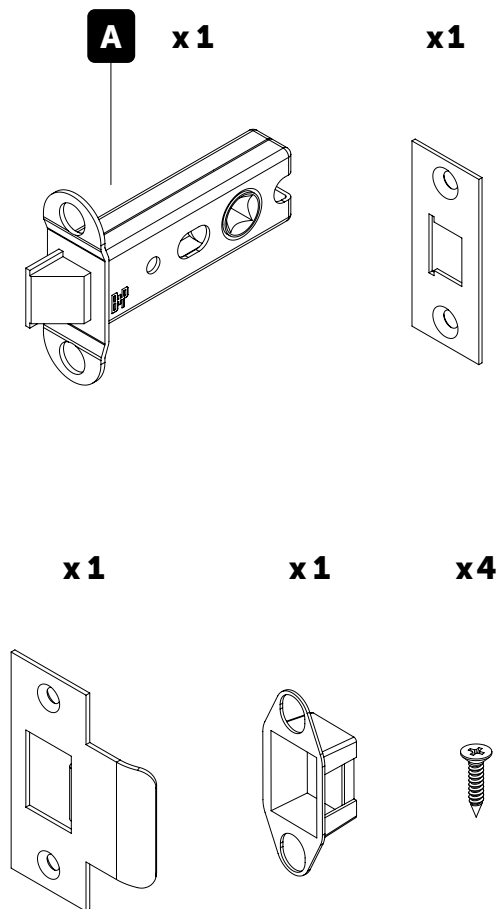
TUBULAR LATCH
DOOR PREPARATION AND INSTALLATION

INSTRUCTION MANUAL



BUSTERANDPUNCH.COM

CONTENTS

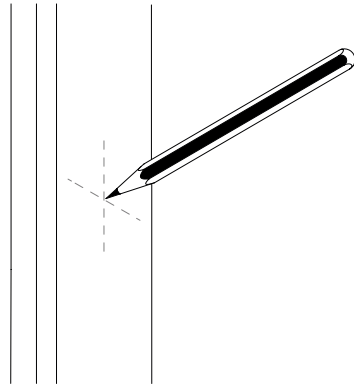


ABOVE DIMENSIONS APPROXIMATE. USE PARTS AS TEMPLATES FOR DOOR PREPARATION.

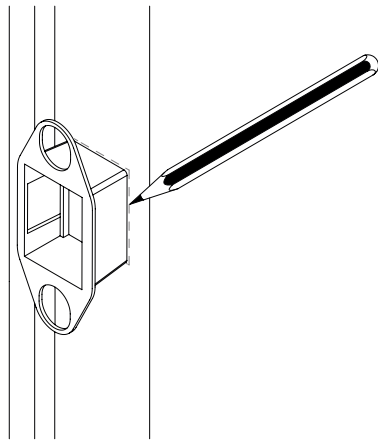
NOTE: INSTALLATION INSTRUCTION MANUAL APPLICABLE FOR US TUBULAR LATCHES SUPPLIED BY BUSTER + PUNCH. PRODUCT VARIATIONS COVERED BY THIS INSTRUCTION MANUAL ARE LISTED BELOW:

TUBULAR LATCH / FOR DOOR HANDLE / 57mm BACKSET
TUBULAR LATCH / FOR DOOR KNOB / 82mm BACKSET

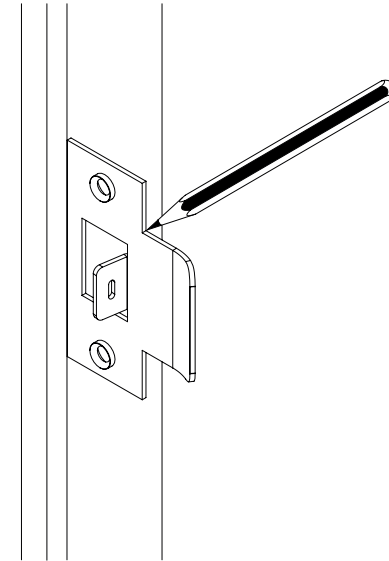
1 DOOR JAM PREPERATION



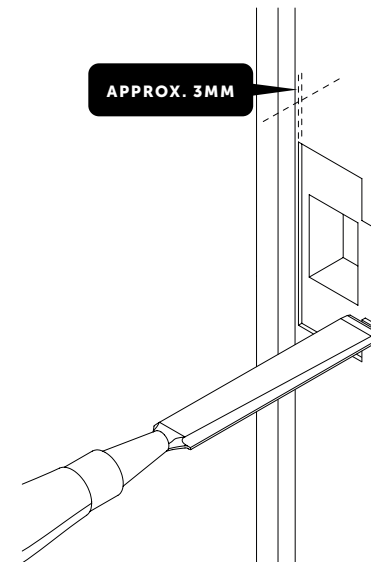
2



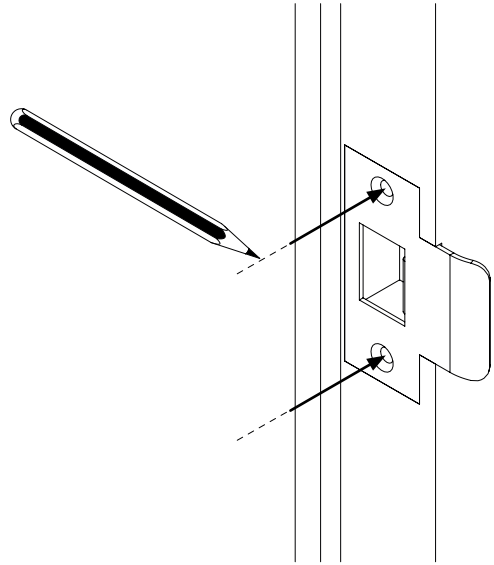
3



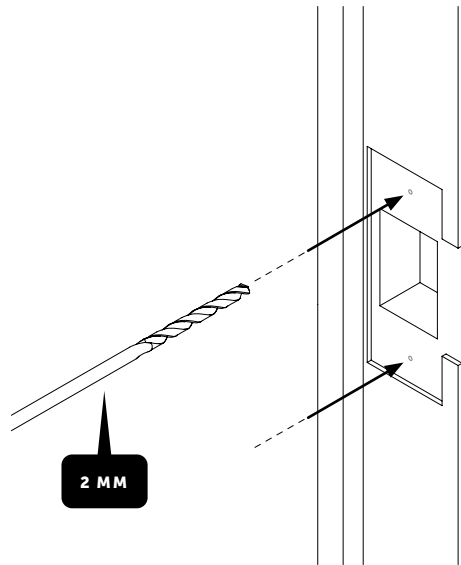
4 CHISEL UNTIL FACE PLATE FLUSH.



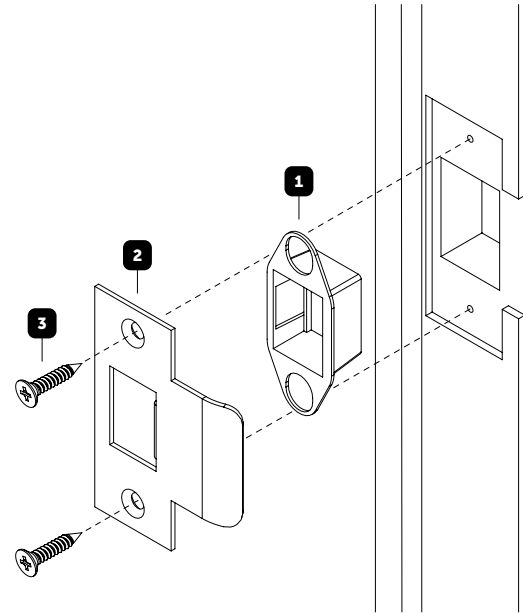
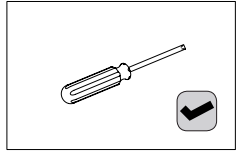
5



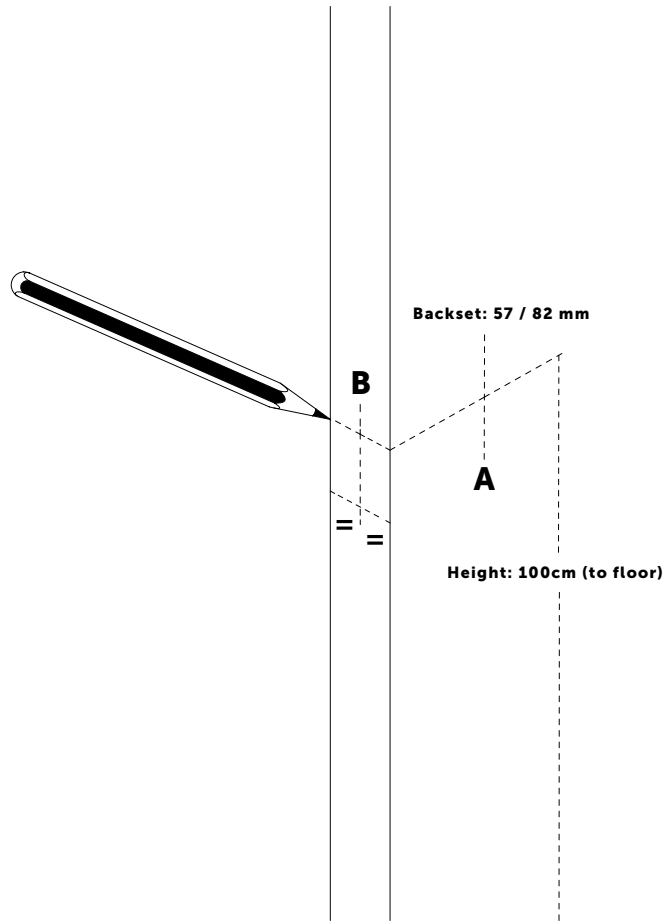
6



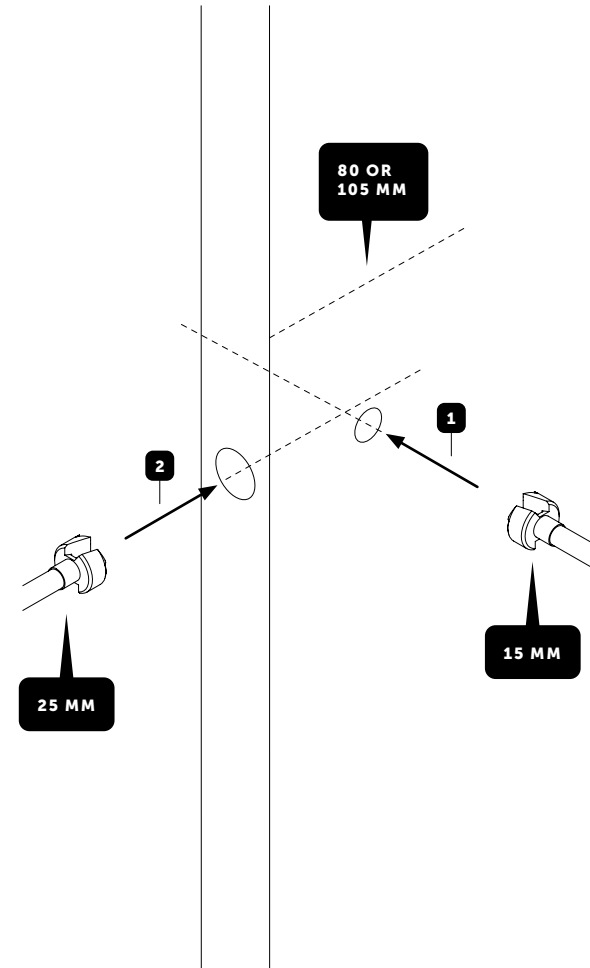
7



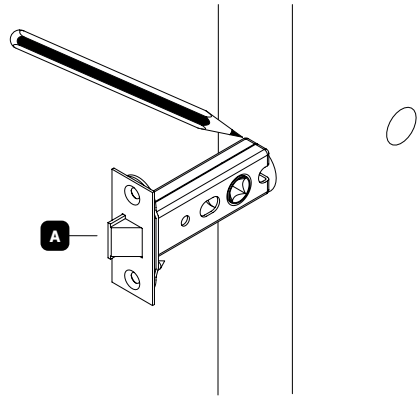
1 DOOR PREPARATION



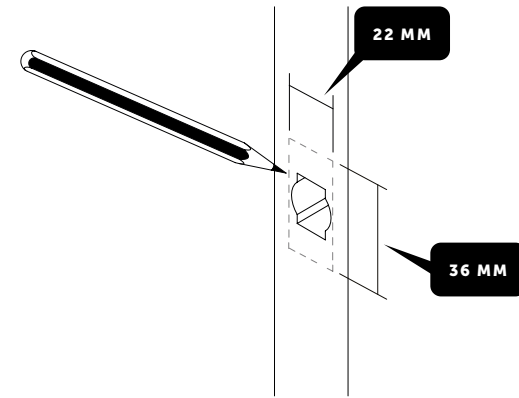
2



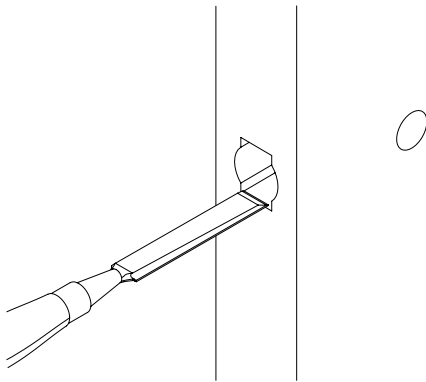
3



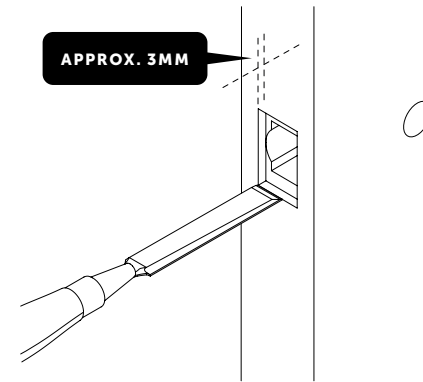
5



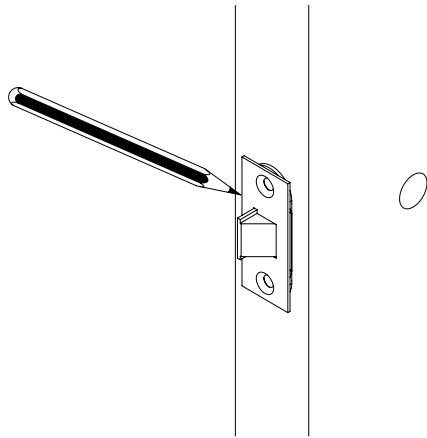
4



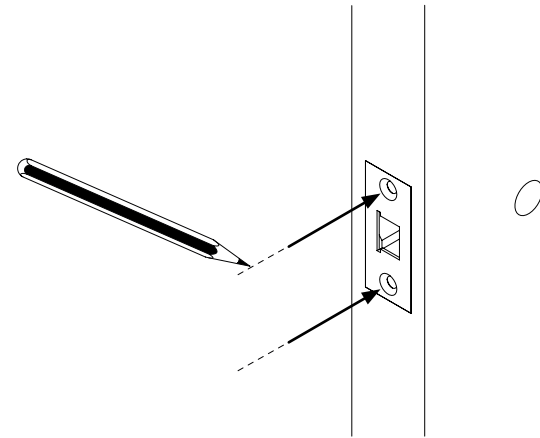
6



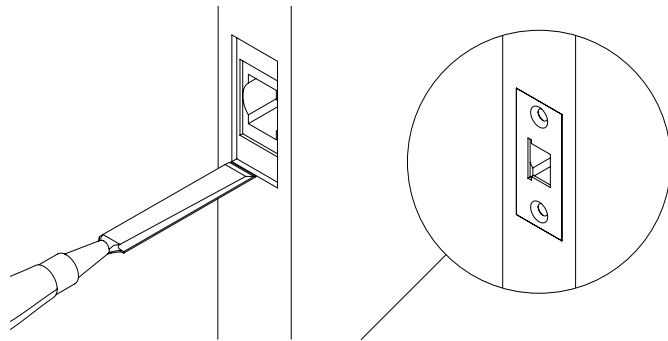
7



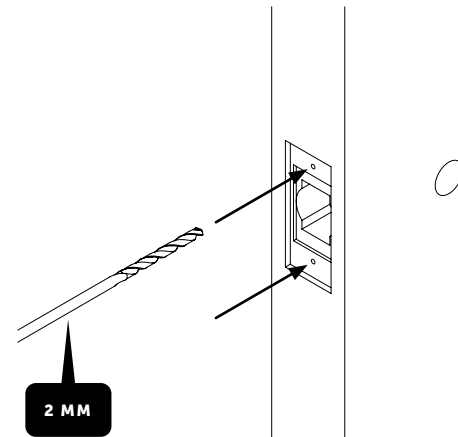
9



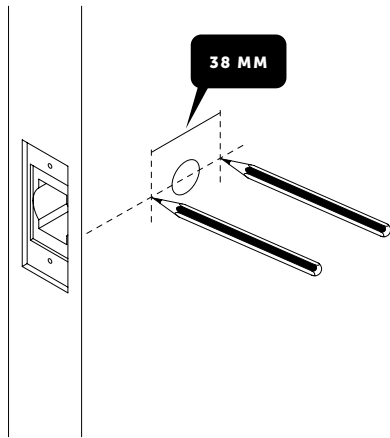
8 CHISEL UNTIL
FACE PLATE
FLUSH.



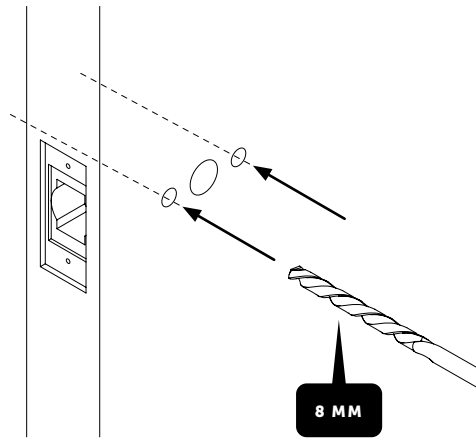
10



11



12



13

