

BUSTER+PUNCH

LONDON

[product.]

PULL BAR / DOUBLE-SIDED / CAST / SMALL

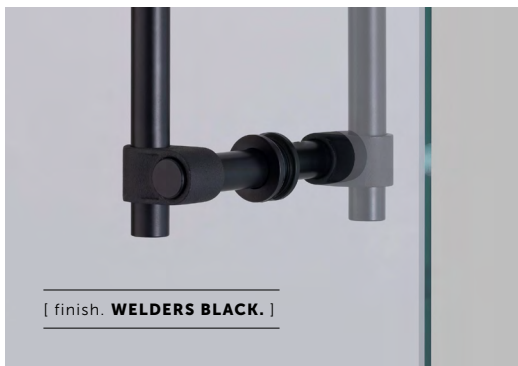
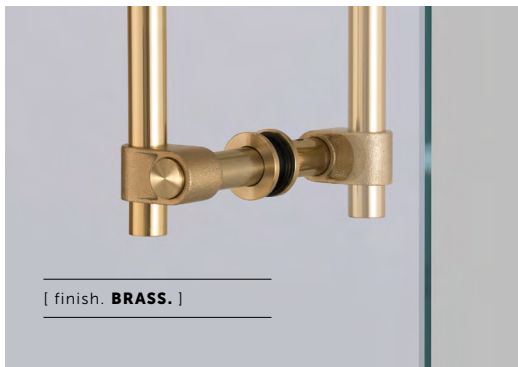
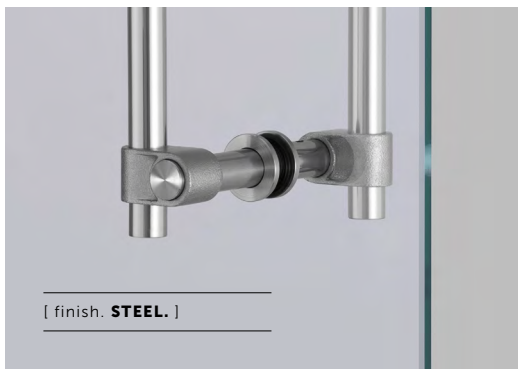
[look. **CAST.**]

[process. **ROUGH-CAST.**]

[range. **BATHROOM.**]

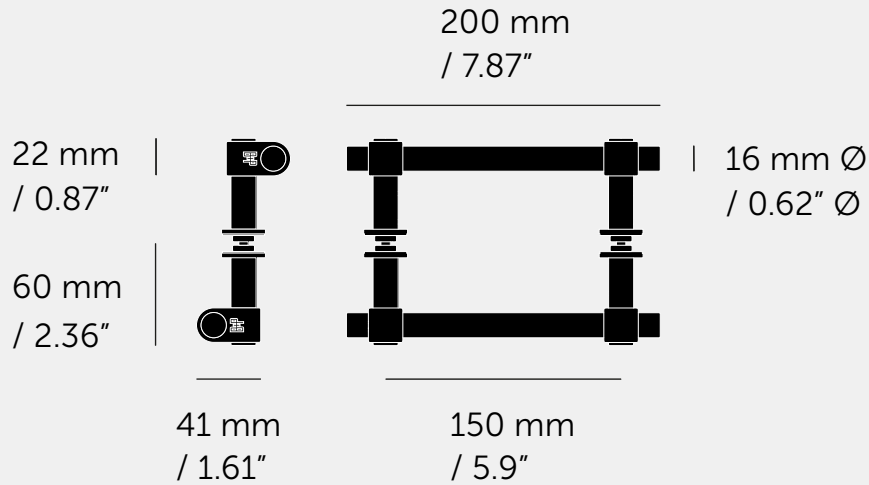
[born. **LONDON.**]

A double-sided pull bar with rough-cast knuckles and hand polished solid metal bar. Works great on internal doors.
Available in steel, brass, gun metal and welders black.



[type. **PULL BAR / DOUBLE-SIDED / SMALL.**]

[info. **MEASUREMENTS.**]



[info. **SPECIFICATIONS.**]

A double-sided pull bar made from solid metal. It features a cast solid metal knuckle and hand polished solid metal bar, finished with B+P spun metal screws and refined by hand.

Available in steel, brass, gun metal and welders black, with durable finishes that make it suitable for bathroom use.

Fits doors of min 6 mm or 0.3" - max 60 mm or 2.3".

Please select the appropriate length bolt.

Not suitable for fire doors.

[info. **FINISH & SKU NUMBERS.**]

[finish.]

[sku.]

 Steel	UPB-072125
 Brass	UPB-052126
 Gun Metal	UPB-352127
 Welders Black	UPB-592128

[info. **CARE INSTRUCTIONS.**]

Clean regularly with a soft, dry cloth or duster. Wash periodically using a soft cloth and mild soapy water then dry immediately with a clean, soft cloth. Rubbing or wiping should be carried out in the direction of the polish lines, not across them. DO NOT use oily rags or greasy cloths when wiping the product surface. All finishes prone to ageing.

[info. **INCLUDED.**]

1 x Small double sided pull bar

2 x 6 mm-35 mm double sided bolt

2 x 35-60 mm double sided bolt

4 x Silicone washers

4 x Cosmetic discs

[please. **NOTE.**]

DISCLAIMER: Always consult a trade professional when installing this double-sided pull bar. Buster + Punch is not responsible for the usage or feasibility of installation requirements.

BUSTER+PUNCH

LONDON

[product.]

PULL BAR / DOUBLE-SIDED / CAST / MEDIUM

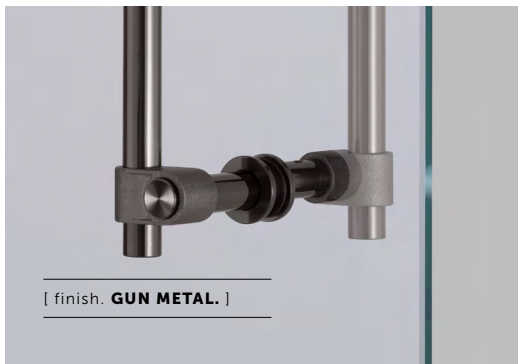
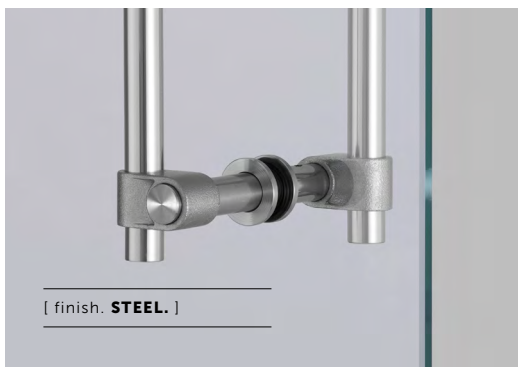
[process. **ROUGH-CAST.**]

[range. **CAST BATHROOM.**]

[born. **LONDON.**]

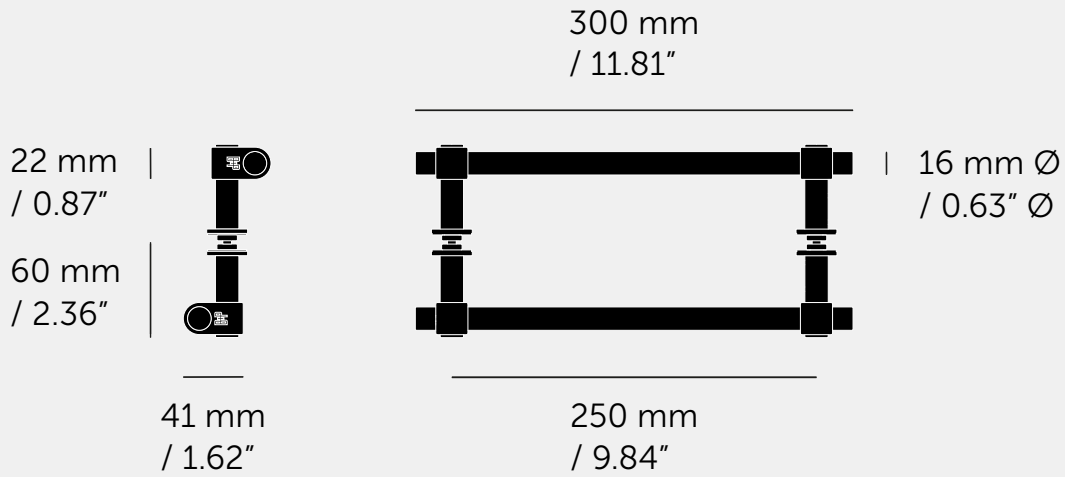
A double-sided pull bar with rough-cast knuckles and hand polished solid metal bar. Works great on internal doors.

Available in steel, brass, gun metal and welders black.



[type. **PULL BAR / DOUBLE-SIDED / MEDIUM.**]

[info. **MEASUREMENTS.**]



[info. **SPECIFICATIONS.**]

A double-sided pull bar made from solid metal. It features a cast solid metal knuckle and hand polished solid metal bar, finished with B+P spun metal screws and refined by hand.

Available in steel, brass, gun metal and welders black, with durable finishes that make it suitable for bathroom use.

Fits doors of min 6mm or 0.3" - max 60 mm or 2.3".

Please select the appropriate length bolt.

Not suitable for fire doors.

[info. **FINISH & SKU NUMBERS.**]

[finish.]

[sku.]

 Steel	UPB-072129
 Brass	UPB-052130
 Gun Metal	UPB-352131
 Welders Black	UPB-592132

[info. **CARE INSTRUCTIONS.**]

Clean regularly with a soft, dry cloth or duster. Wash periodically using a soft cloth and mild soapy water then dry immediately with a clean, soft cloth. Rubbing or wiping should be carried out in the direction of the polish lines, not across them. DO NOT use oily rags or greasy cloths when wiping the product surface. All finishes prone to ageing.

[info. **INCLUDED.**]

1 x Medium double sided pull bar

2 x 6 mm-35 mm double sided bolt

2 x 35-60 mm double sided bolt

4 x Silicone washers

4 x Cosmetic discs

[please. **NOTE.**]

DISCLAIMER: Always consult a trade professional when installing this double-sided pull bar. Buster + Punch is not responsible for the usage or feasibility of installation requirements.

BUSTER+PUNCH

LONDON

[product.]

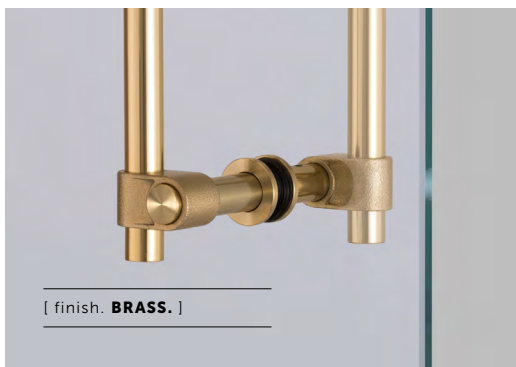
PULL BAR / DOUBLE-SIDED / CAST / LARGE

[process. **ROUGH CAST.**]

[range. **CAST BATHROOM.**]

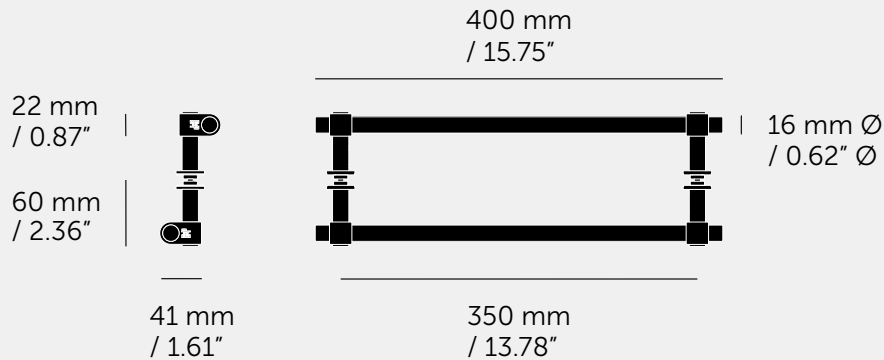
[born. **LONDON.**]

A double-sided pull bar with rough-cast knuckles and hand polished solid metal bar. Works great on internal doors. Available in steel, brass, gun metal and welders black.



[type. **PULL BAR / DOUBLE-SIDED / LARGE.**]

[info. **MEASUREMENTS.**]



[info. **SPECIFICATIONS.**]

A double-sided pull bar made from solid metal. It features a cast solid metal knuckle and hand polished solid metal bar, finished with B+P spun metal screws and refined by hand.

Available in steel, brass, gun metal and welders black, with durable finishes that make it suitable for bathroom use.

Fits doors of min 6 mm or 0.3" - max 60 mm or 2.3".

Please select the appropriate length bolt.

Not suitable for fire doors.

[info. **FINISH & SKU NUMBERS.**]

[finish.]

[sku.]

 Steel	UPB-072133
 Brass	UPB-052134
 Gun Metal	UPB-352135
 Welders Black	UPB-592136

[info. **CARE INSTRUCTIONS.**]

Clean regularly with a soft, dry cloth or duster. Wash periodically using a soft cloth and mild soapy water then dry immediately with a clean, soft cloth. Rubbing or wiping should be carried out in the direction of the polish lines, not across them. DO NOT use oily rags or greasy cloths when wiping the product surface. All finishes prone to ageing.

[info. **INCLUDED.**]

1 x Large double sided pull bar

2 x 6 mm-35 mm double sided bolt

2 x 35-60 mm double sided bolt

4 x Silicone washers

4 x Cosmetic discs

[please. **NOTE.**]

DISCLAIMER: Always consult a trade professional when installing this double-sided pull bar. Buster + Punch is not responsible for the usage or feasibility of installation requirements.