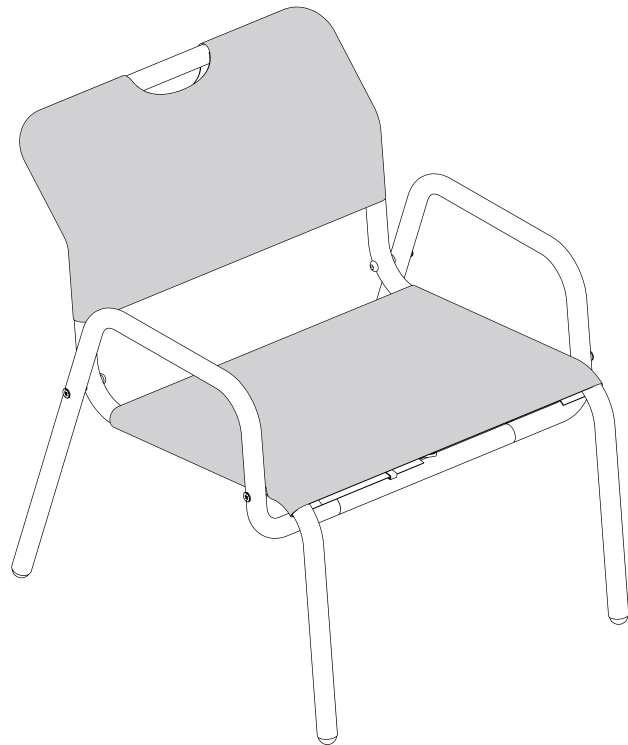


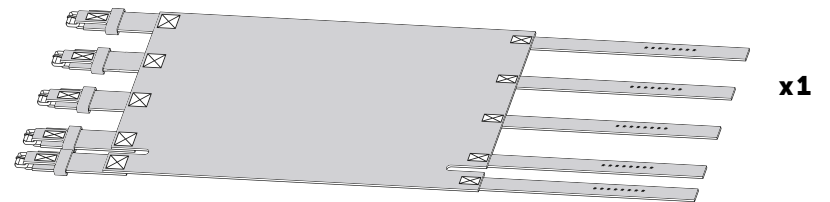
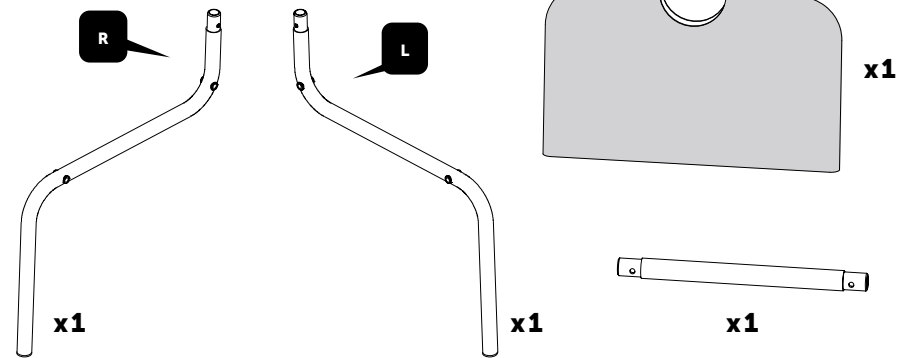
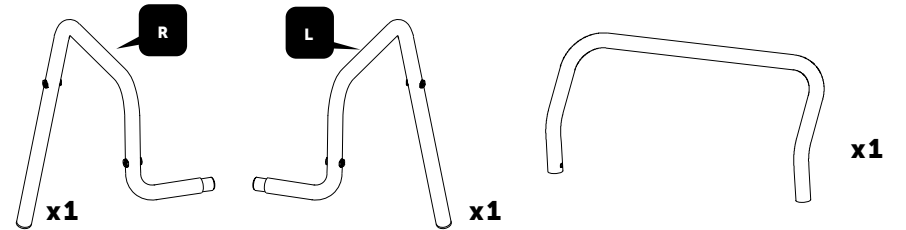
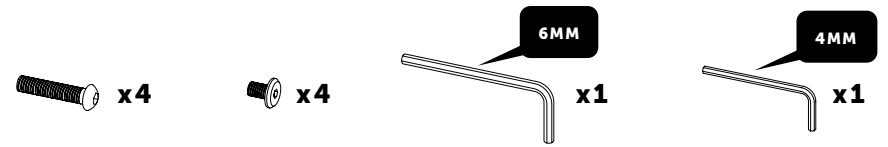
## CHOPPER CHAIR INSTALLATION MANUAL

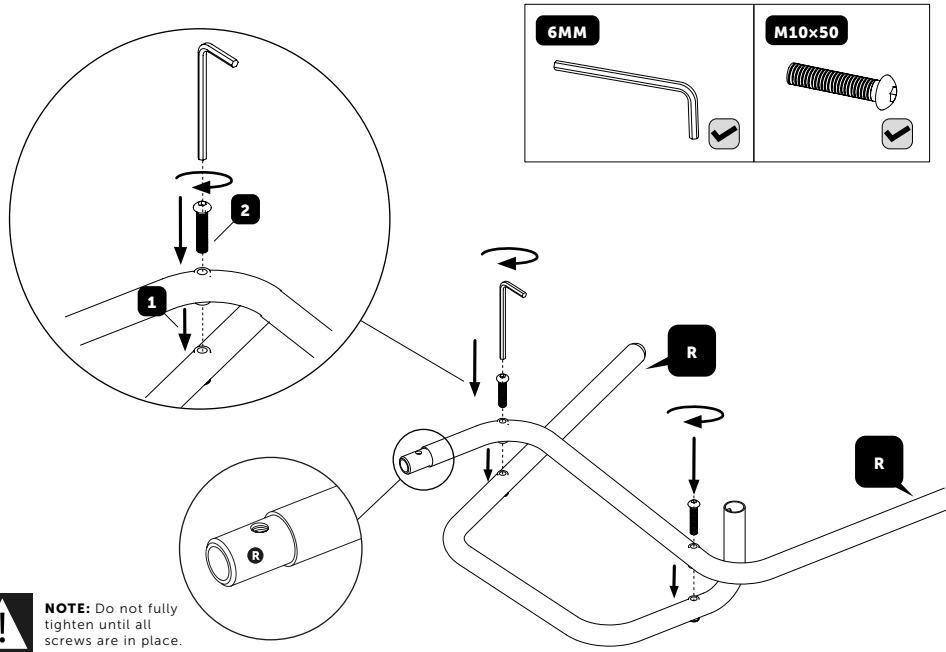
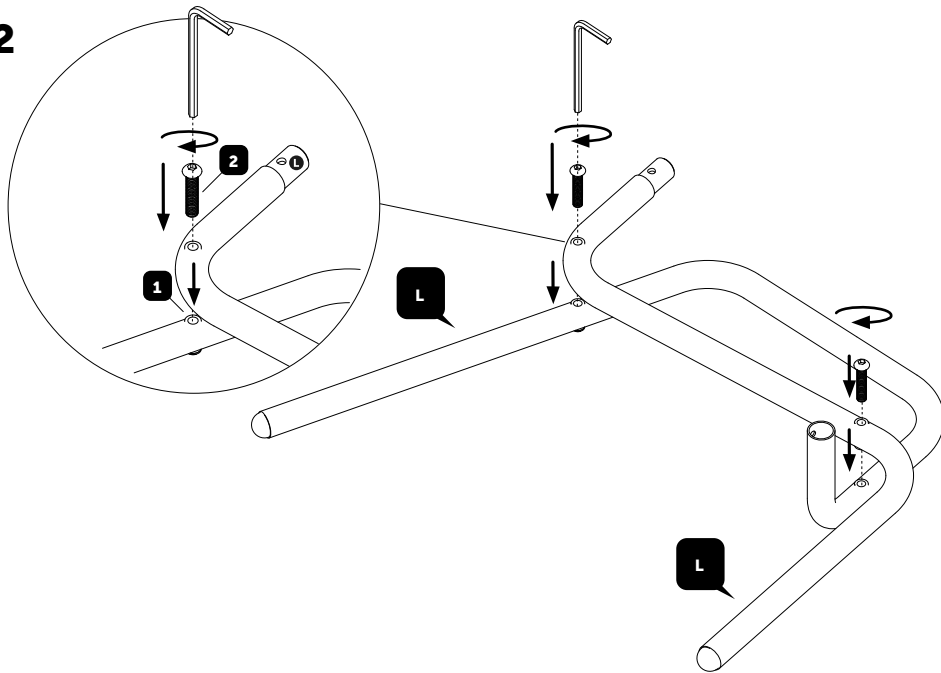
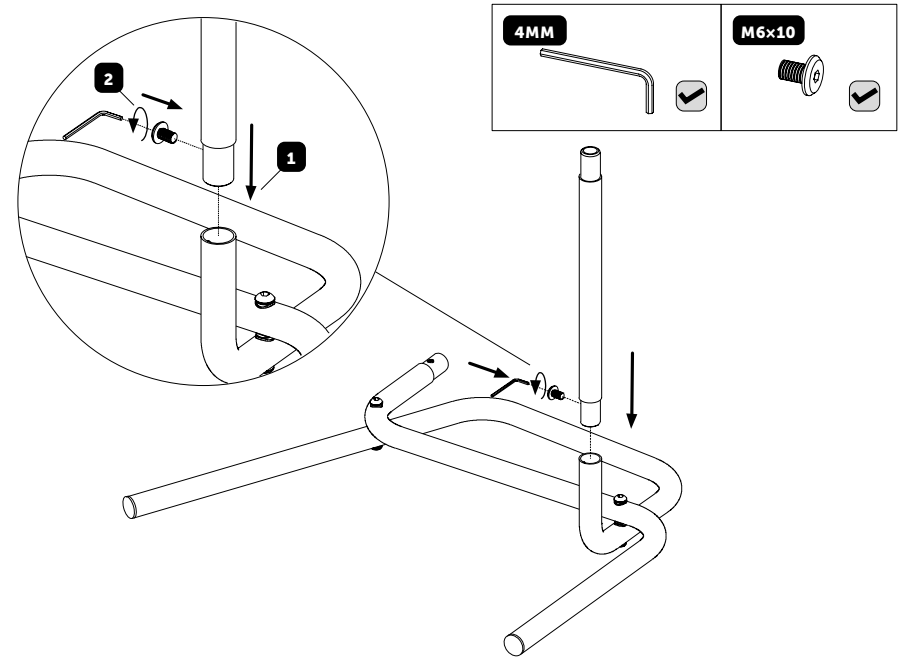
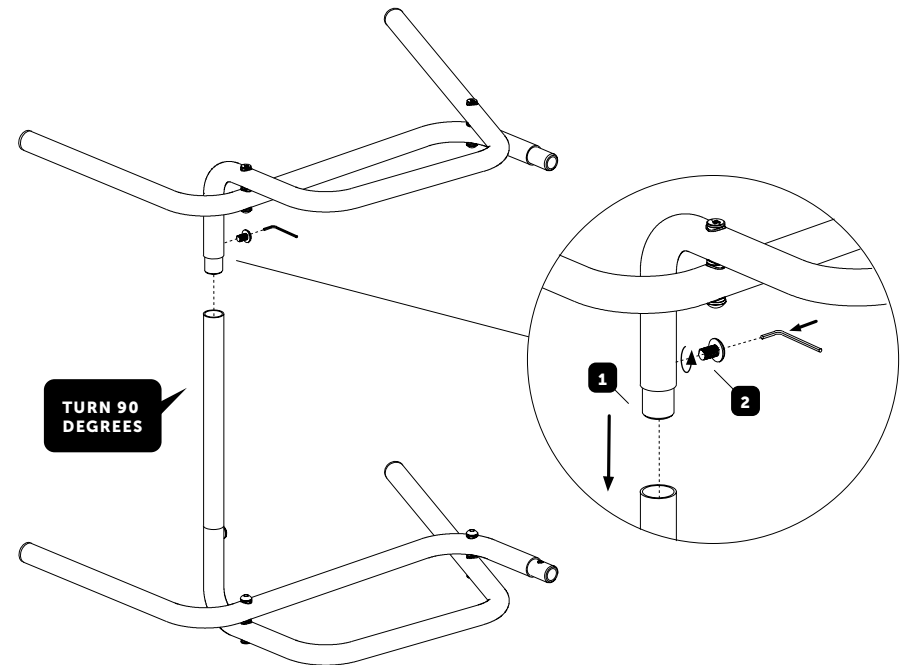


**PLEASE NOTE:**

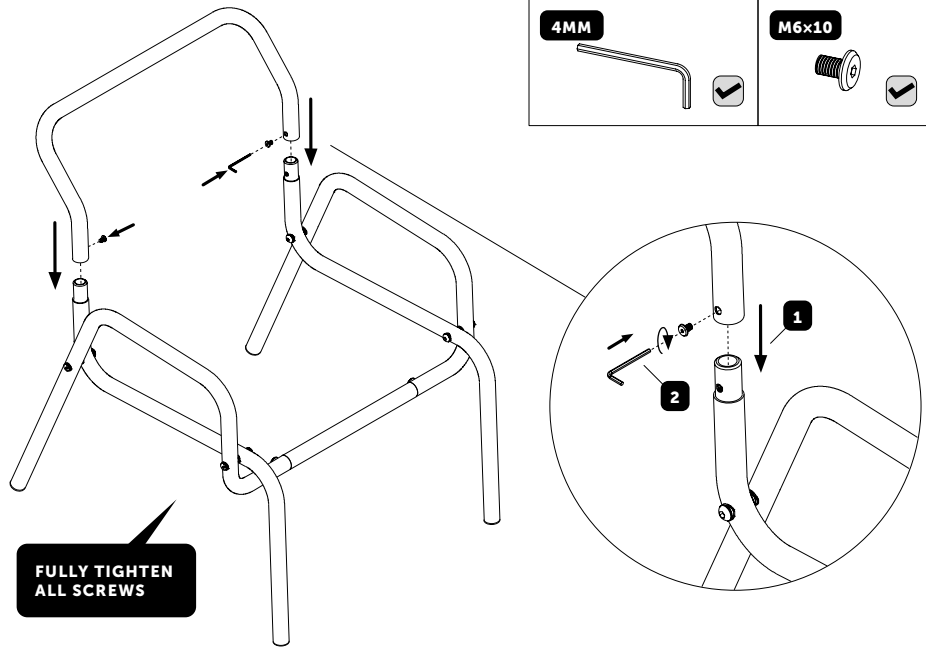
We recommend assembling on a soft or carpeted surface.

### CONTENTS

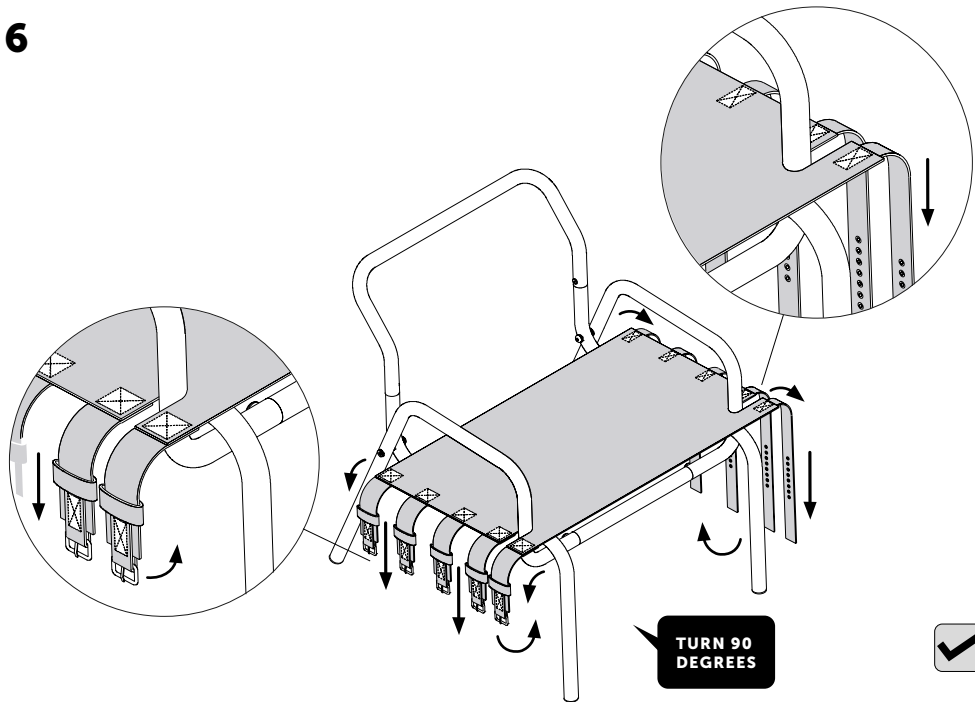


**1****2****3****4**

5

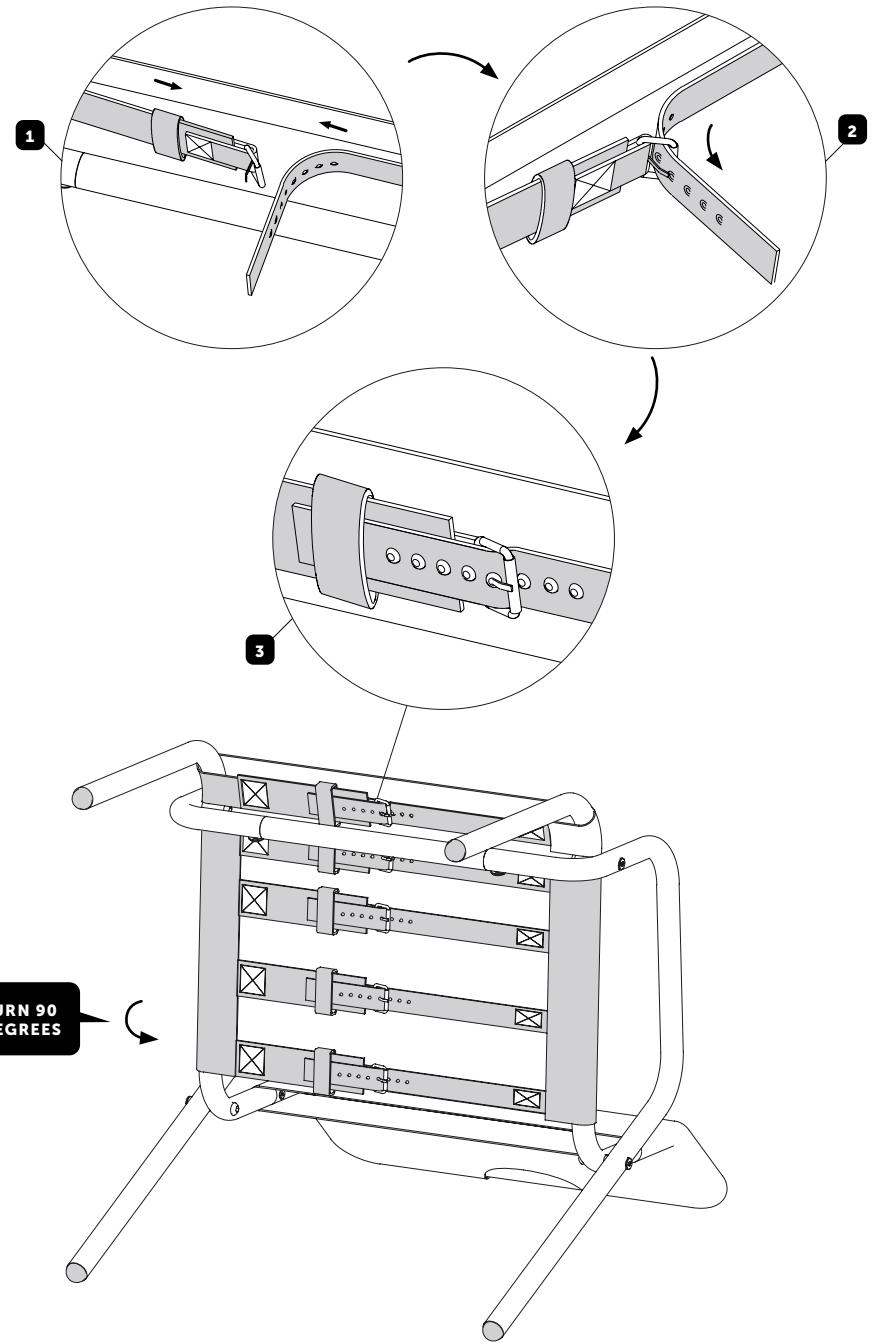


6

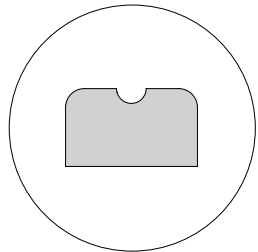


7

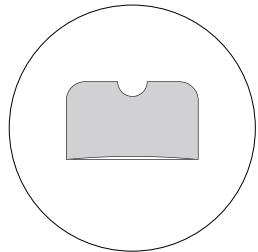
TIGHTEN THE BUCKLE.



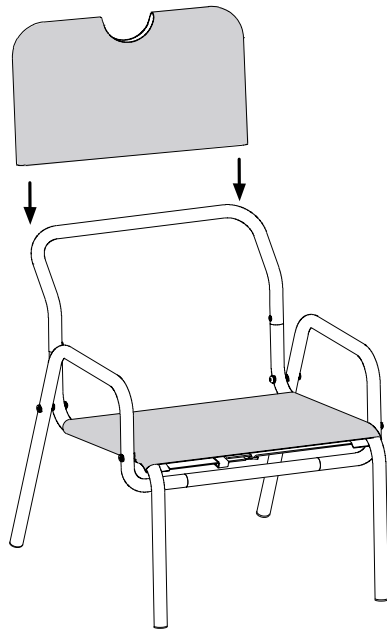
**8** SHORT SIDE TO THE BACK, LONG SIDE  
THE FRONT.



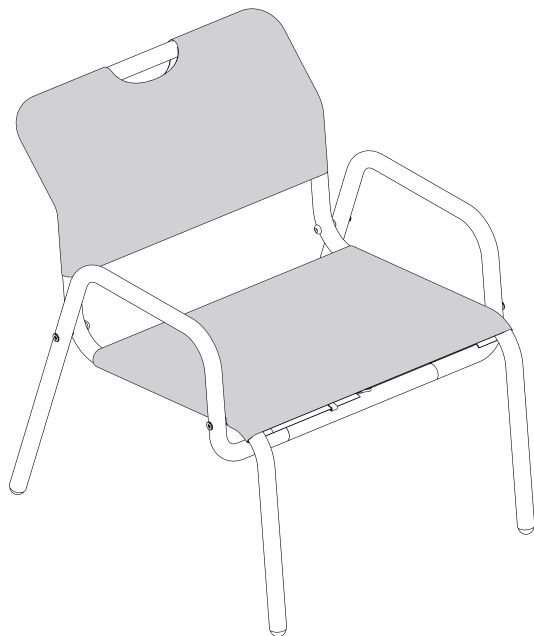
**FRONT**



**BACK**



**9**



[end. **ORDINARY** ]