

BUSTER+PUNCH

LONDON

[product.]

KITCHEN TAP / 4-IN-1 / LINEAR

[water. **WARM, COLD, FILTERED + INSTANT HOT.**]

[knurl. **LINEAR.**]

[fyi. **INSTANT HOT WATER TANK + FILTER KIT INCLUDED.**]

[range. **KITCHEN.**]

A KITCHEN TAP mixing warm and cold, aerated and filtered, water, plus instant hot water. It's designed to complement the B+P KITCHEN and detailing but also provides an eye-catching focal point for any kitchen. Rough-cast, sand-blasted and machined from solid metal in Italy, it features our signature LINEAR-KNURL, is refined by hand and finished with a debossed B+P insignia. Available in four metal finishes: steel, brass, gun metal and welders black.

[finish. **BRASS.**]



[finish. **GUN METAL.**]



[finish. **WELDERS BLACK.**]



[type. **WATER TANK.**]



[type. **FILTER KIT.**]



[finish. **STEEL.**]



BUSTERANDPUNCH.COM

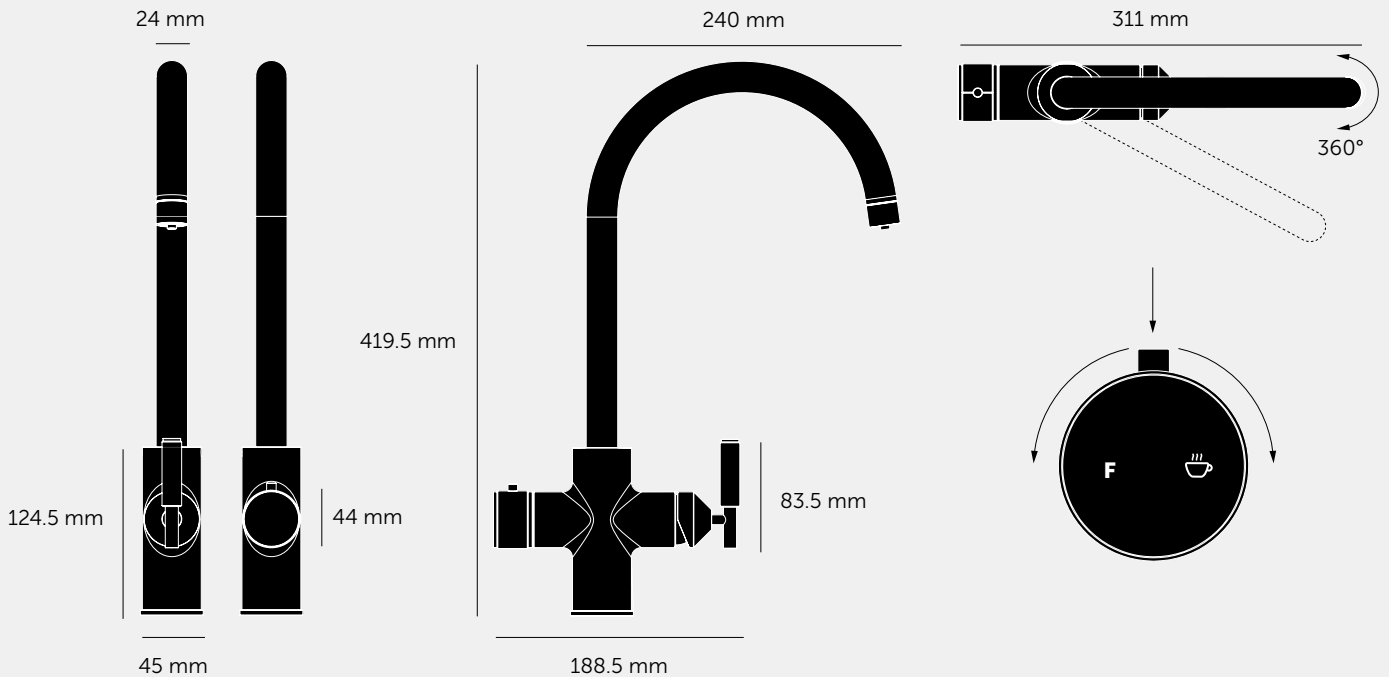
AUGUST / 2022

[end. **ORDINARY.**]



[type. **KITCHEN TAP / 4-IN-1.**]

[info. **MEASUREMENTS.**]



[info. **SPECIFICATIONS.**]

A Kitchen Tap / 4-in-1 with dual levers. The left-hand lever offers hot water from your instant hot water tank and filtered cold water. The right-hand lever mixes water from the hot and cold pipes in your kitchen. This pack includes an instant hot water tank and filter kit.

Minimum thickness of mounted surface 0.5 mm, with supplied fixings.

Maximum thickness of mounted surface 45 mm, with supplied fixings.

Minimum recommended water pressure: 7.25 PSI (0.5 BAR).

Maximum recommended water pressure: 72 PSI (5 BAR).

Recommended maximum hot water temperature: 98 °C (208 °F).

Recommended temperature range: 5 – 98 °C (41 – 208 °F).

Mixed water handle operation range: 0-90°

UK flexible connector hose diameter: 1/2" ø

EU flexible connector hose diameter: 3/8" ø

360 degree swivel spout.

All Buster + Punch mixer taps conform to European Standard EN817. In some cases, local housing regulations may require mixer taps to be of a higher minimum water pressure standard. In this instance purchase pressure regulator valve from www.busterandpunch.com and consult with a certified plumber about installing.

Note: exceeding these temperatures or water pressures can result in damage to the tap. A pressure reducing valve may be required to be fitted in high water pressure situations.

[info. **CARE INSTRUCTIONS.**]

Wipe with damp cloth with no loose hairs, avoid using any chemicals. All finishes are prone to ageing.

[info. **FINISH & SKU NUMBERS.**]

[finish.]	[sku.]
Steel	UKK-092411
Brass	UKK-052412
Gun Metal	UKK-352414
Welders Black	UKK-592413

[info. **INCLUDED.**]

1 x 4-in-1 Kitchen Tap

2 x Flexible connector hoses (hot & cold)

4 x Neutral flexible hoses

1 x Tap Base and set of washers

1 x Threaded bar and nut

1 x Supporting tap brace and washer (for surfaces with thickness <5mm)

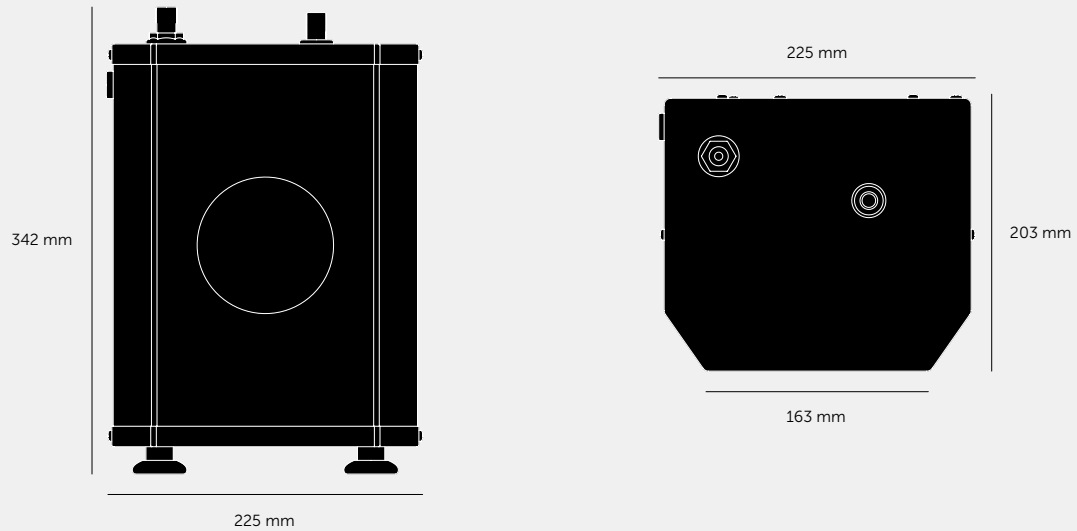
1 x Adapter

[please. **NOTE.**]

DISCLAIMER: Always consult a trade professional when installing this Kitchen Tap. Buster + Punch is not responsible for the usage or feasibility of installation requirements. A Kitchen Tap / 4-in-1 are tested to work with a max. pressure of 10 bar (1000 kPa) and recommended working pressure range is 1.0 – 5.0 bar (100 kPa – 500 kPa).

[type. **INSTANT HOT WATER TANK.**]

[info. **MEASUREMENTS.**]



[info. **SPECIFICATIONS.**]

An instant hot water kit to be used in conjunction with our 4-in-1 Kitchen Tap.

Minimum recommended water pressure: 21.75 PSI (1.5 BAR).

Maximum recommended water pressure: 72.5 PSI (5 BAR).

Water Tank capacity: 2.4 L

Voltage: 220 - 240 Vac 50Hz

Rated power: 1500 W

Important: Do not perform maintenance or cleaning off the tank until without first switching off the electricity supply.

[please. **NOTE.**]

DISCLAIMER: Always consult a trade professional when installing this Instant hot water Tank. Buster + Punch is not responsible for the usage or feasibility of installation requirements. This product is not suitable for damp or wet environments.

IMPORTANT: THE WATER FILTER MUST BE REPLACED EVERY SIX MONTHS OR THE GUARANTEE WILL BECOME INVALID.

[info. **SKU NUMBER.**]

[sku.]

UKT-012217

[info. **INCLUDED.**]

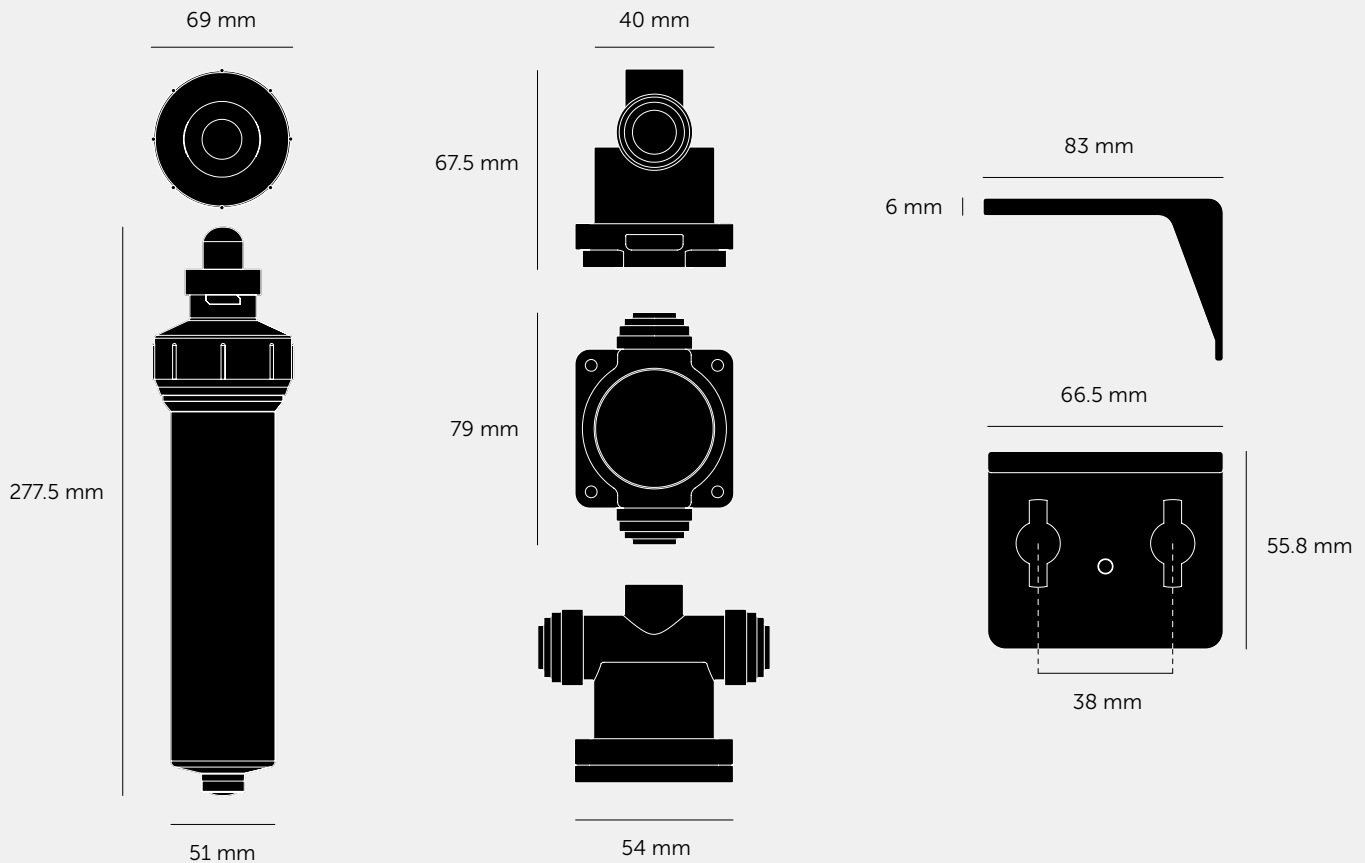
1 x Instant Hot Water Tank

[info. **CARE INSTRUCTIONS.**]

Wipe with damp cloth with no loose hairs, avoid using any chemicals. Any abrasive cleaner will scratch the surface and could erase the control panel markings.

[type. **FILTER KIT.**]

[info. **MEASUREMENTS.**]



[info. **SPECIFICATIONS.**]

A water filter kit to be used in conjunction with our 4-in-1 Kitchen Tap.

[fyi. Features a phosphate bead core to reduce scaling.]

[info. **CARE INSTRUCTIONS.**]

Wipe with damp cloth with no loose hairs, avoid using any chemicals.

[please. **NOTE.**]

DISCLAIMER: Always consult a trade professional when installing this Kitchen Tap / 4-in-1. Buster + Punch is not responsible for the usage or feasibility of installation requirements.

IMPORTANT: THE WATER FILTER MUST BE REPLACED EVERY SIX MONTHS OR THE GUARANTEE WILL BECOME INVALID.

[info. **SKU NUMBER.**]

[sku.]

UKT-012218

[info. **INCLUDED.**]

1 x Filter Kit

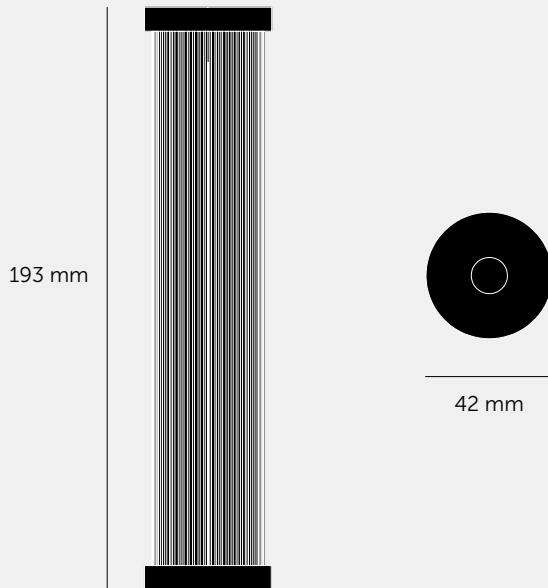
1 x Fixing Bracket

1 x Neutral flexible hose (to adapter from filter kit)

1 x Water Filter

[type. **REPLACEMENT WATER FILTER.**]

[info. **MEASUREMENTS.**]



[info. **SPECIFICATIONS.**]

A replacement water filter for use with our 4-in-1 Kitchen Tap.

[fyi. Features a phosphate bead core to reduce scaling.]

OD: 42 mm / 1,65 lm

Media type: Carbon Nanofiber

Chlorine Reduction

Chlorine Feed: 1.98 - 2.20

Cycle: 50-50

Flowrate: 0.50 gpm

Break-thru point: 1.00ppm

Percent Reduction: 300/gal * 1100/L to 50%

Temperature: 68 - 72*f

Detection Limit: 0.04ppm

Microbiological

Bacteria: 6LRV typical @ 0.5gpm

Virus: 4LRV typical @ 0.5gpm

Cyst: 3LRV typical @ 0.5gpm

Particulate Reduction

Efficiency: 95% @ 2 to 5 micron

Test Dust: AC Fine test dust

Particle Counter: CHEMTRAC

IMPORTANT: THE WATER FILTER MUST BE REPLACED EVERY SIX MONTHS OR THE GUARANTEE WILL BECOME INVALID.

[info. **SKU NUMBER.**]

[sku.]

U0-012563

[info. **INCLUDED.**]

1 x Replacement Water Filter

1 x O-Seal

[info. **CARE INSTRUCTIONS.**]

Wipe with damp cloth with no loose hairs, avoid using any chemicals.

[please. **NOTE.**]

DISCLAIMER: Always consult a trade professional when installing this Kitchen Tap / 4-in-1. Buster + Punch is not responsible for the usage or feasibility of installation requirements.