

# BUSTER+PUNCH

LONDON

[ product.

## **FORKED PENDANT / SHADE**

---

[ type. **PENDANT LIGHT.** ]

---

[ detail. **FORKED.** ]

---

[ process. **ROUGH-CAST.** ]

---

[ region. **NORTH AMERICA.** ]

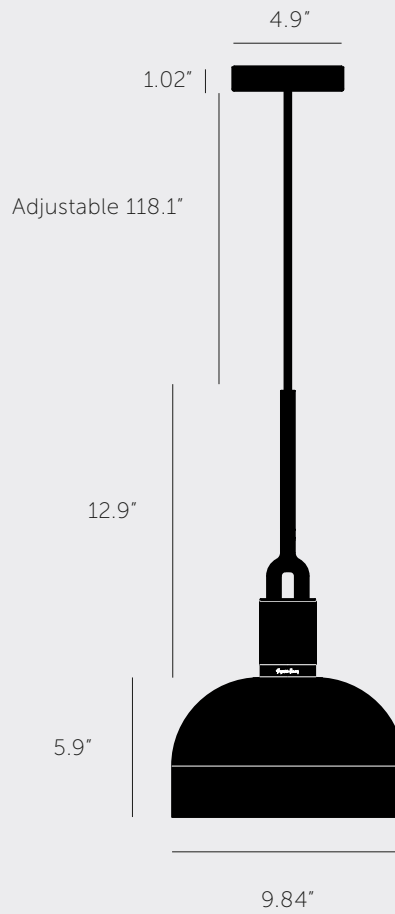
---

A light pendant made from cast and machined metal, featuring our signature diamond-cut linear knurl pattern and fork detailing, refined by hand. Its shade is made from hand-spun metal.



[ size. **MEDIUM.** ]

[ info. **MEASUREMENTS.** ]



[ info. **SPECIFICATIONS.** ]

Pendant light

1x solid metal lamp holder

Adjustable 3000 mm cable

E26 / 110-120 VAC / 60HZ

Max 7W

Bulb included

cULus Listed SBLED

1x solid metal light shade

[ info. **FINISH & SKU NUMBERS.** ]

[ finish. ]

[ SKU. ]

Steel

NFP-893194

Burnt Steel

NFP-863187

Brass

NFP-493172

[ info. **CARE INSTRUCTIONS.** ]

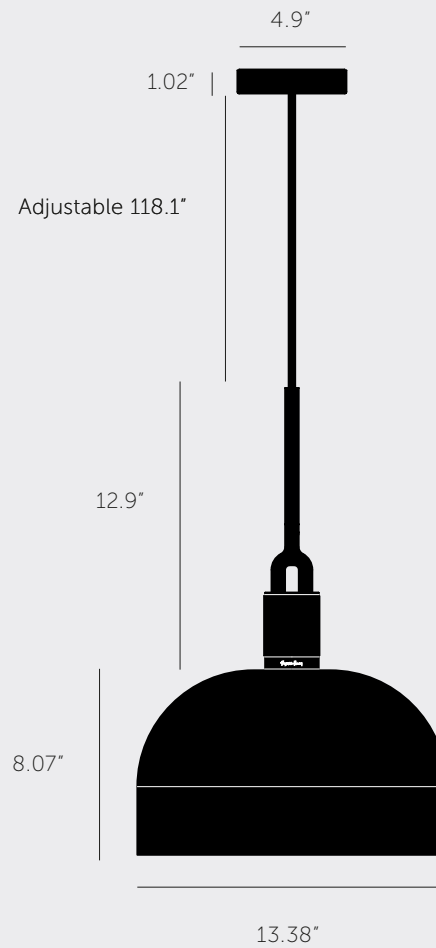
Wipe with damp cloth with no loose hairs, avoid using any chemicals. All finishes are prone to ageing.

[ please. **NOTE.** ]

DISCLAIMER: Always consult a trade professional when installing this light. Buster + Punch is not responsible for the usage or feasibility of installation requirements. This product is not suitable for damp or wet environments.

[ size. **LARGE.** ]

[ info. **MEASUREMENTS.** ]



[ info. **SPECIFICATIONS.** ]

Pendant light

1x solid metal lamp holder

E26 / 110-120 VAC / 60HZ

Max 7W

Bulb included

cULus Listed SBLED

1x solid metal light shade

[ info. **FINISH & SKU NUMBERS.** ]

[ finish. ]

[ SKU. ]

Steel

NFP-863184

Burnt Steel

NFP-843179

Brass

NFC-893231

[ info. **CARE INSTRUCTIONS.** ]

Wipe with damp cloth with no loose hairs, avoid using any chemicals. All finishes are prone to ageing.

[ please. **NOTE.** ]

DISCLAIMER: Always consult a trade professional when installing this light. Buster + Punch is not responsible for the usage or feasibility of installation requirements. This product is not suitable for damp or wet environments.