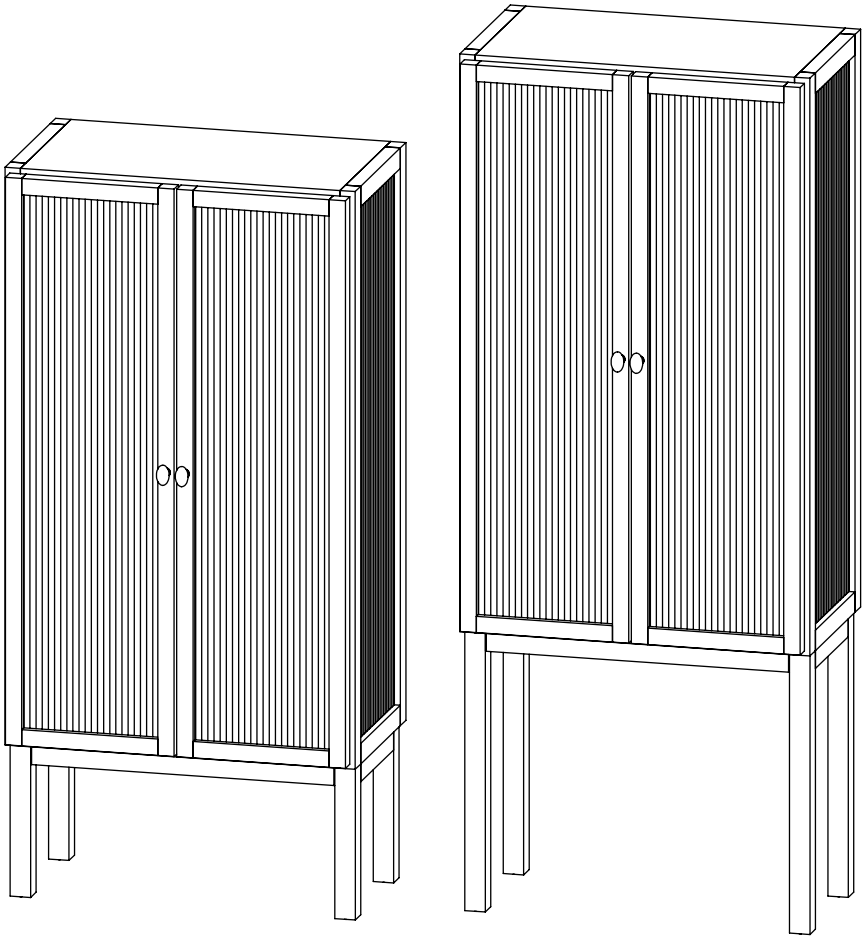


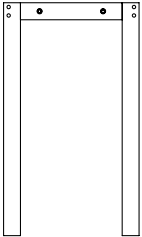
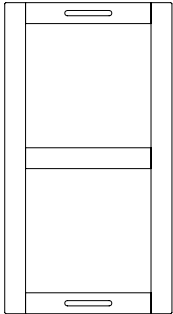
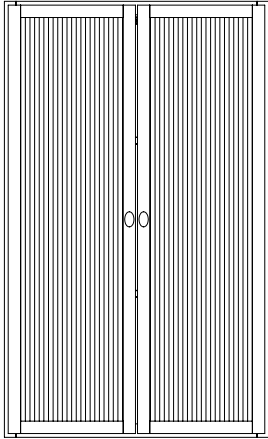
Audo

COPENHAGEN



CURIOSITY CABINET
Designed by *Mentze Ottenstein*

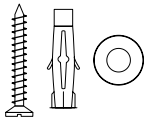
Component Overview



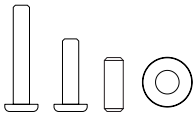
Congratulations on your new CURIOSITY CABINETHE designed by *Mentze Ottenstein*.

We hope you will enjoy using this item and follow these instructions to ensure correct assembly. These instructions are provided for your safety.

It is important that the instructions are read carefully and completely before assembling.



- 1 x Wall screw
- 1 x Wall Plug
- 1 x Washer for wall mount

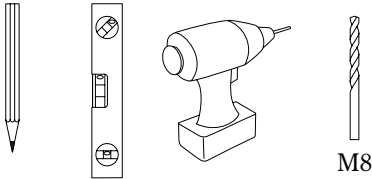


- 4 x M8x45
- 2 x M8x35
- 8 x dowels
- 2 x Washers for M8x35

Tools in cluded



Tools needeit



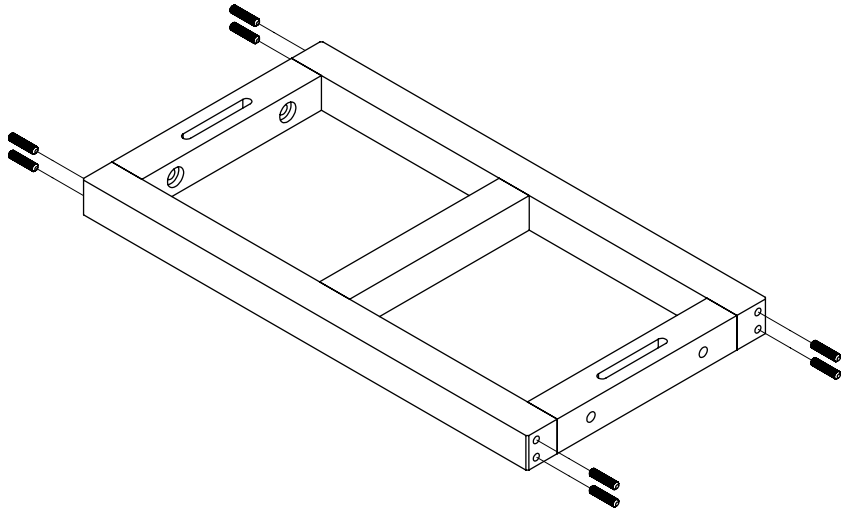
Caution

Please ensure that all assembly is done on a soft and flat surface, to ensure that the components will not be damaged/scratched. During assembly of the base, loosely tighten screws. When all screws are in place, you may then tighten the screws completely.

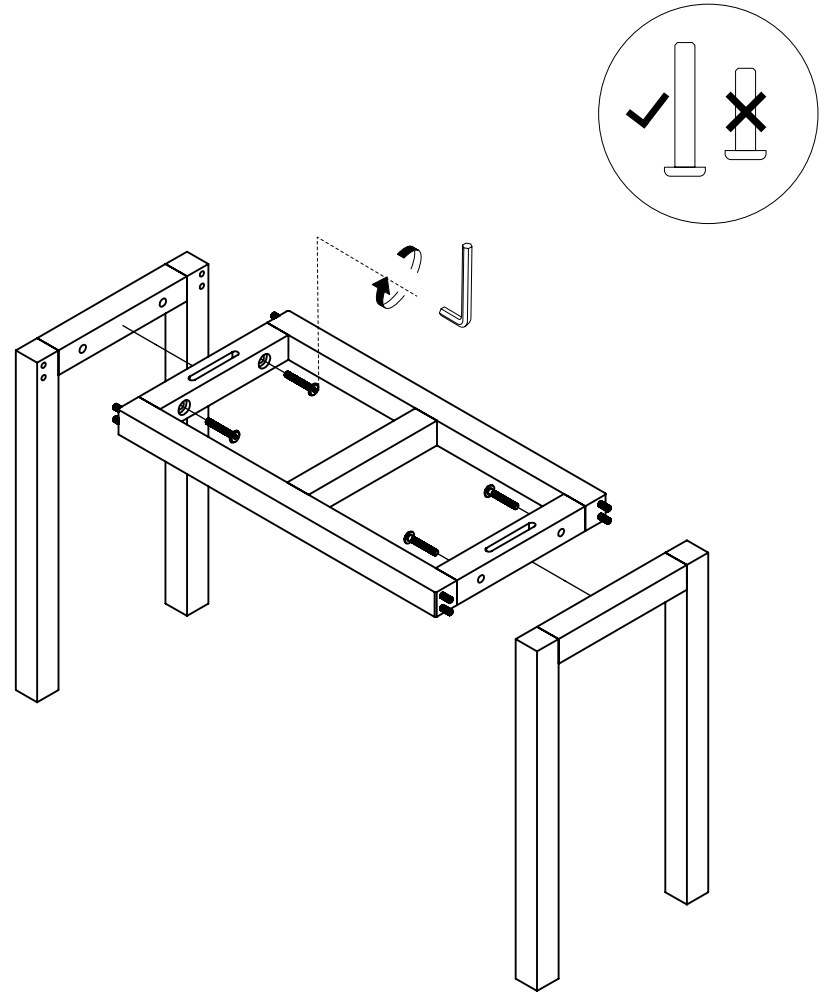
Care and maintenance

Please see care instructions on www.audocph.com

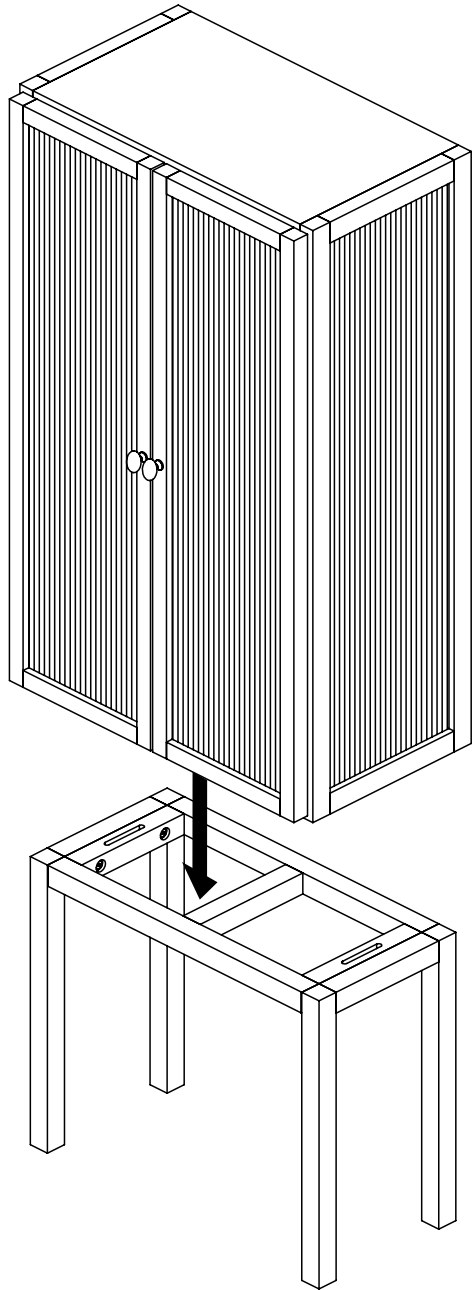
1



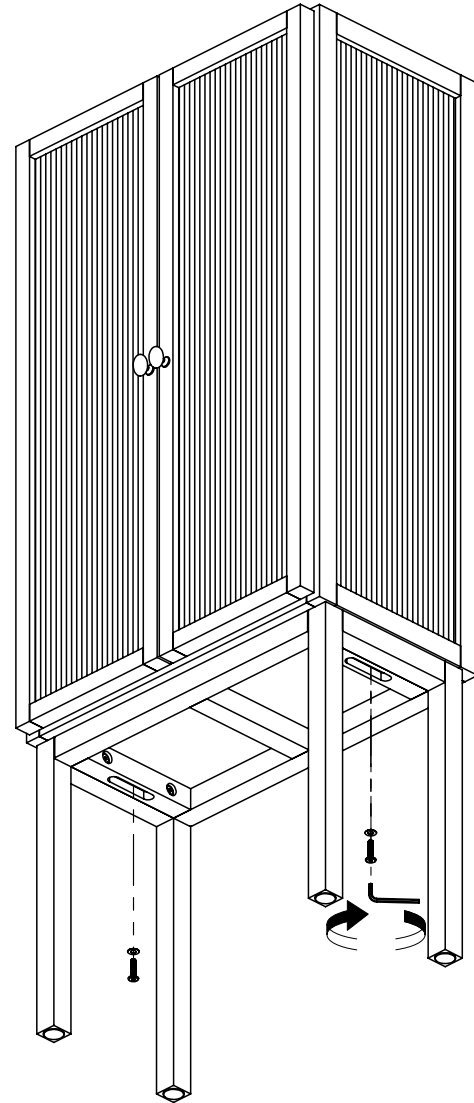
2



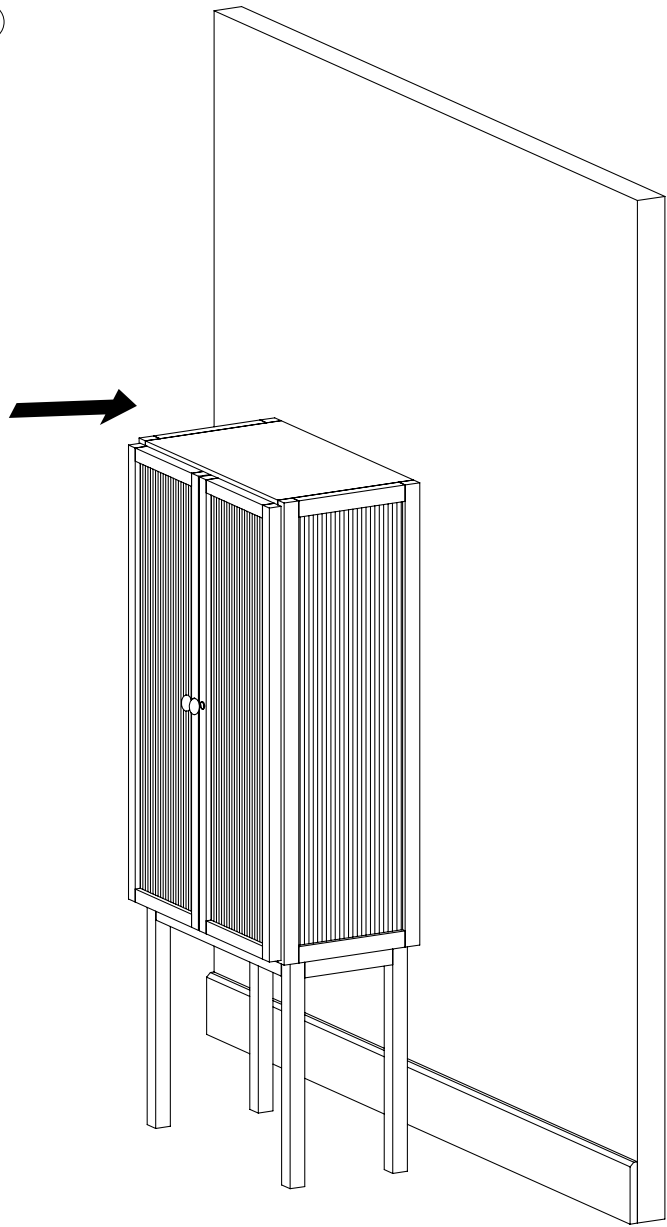
3



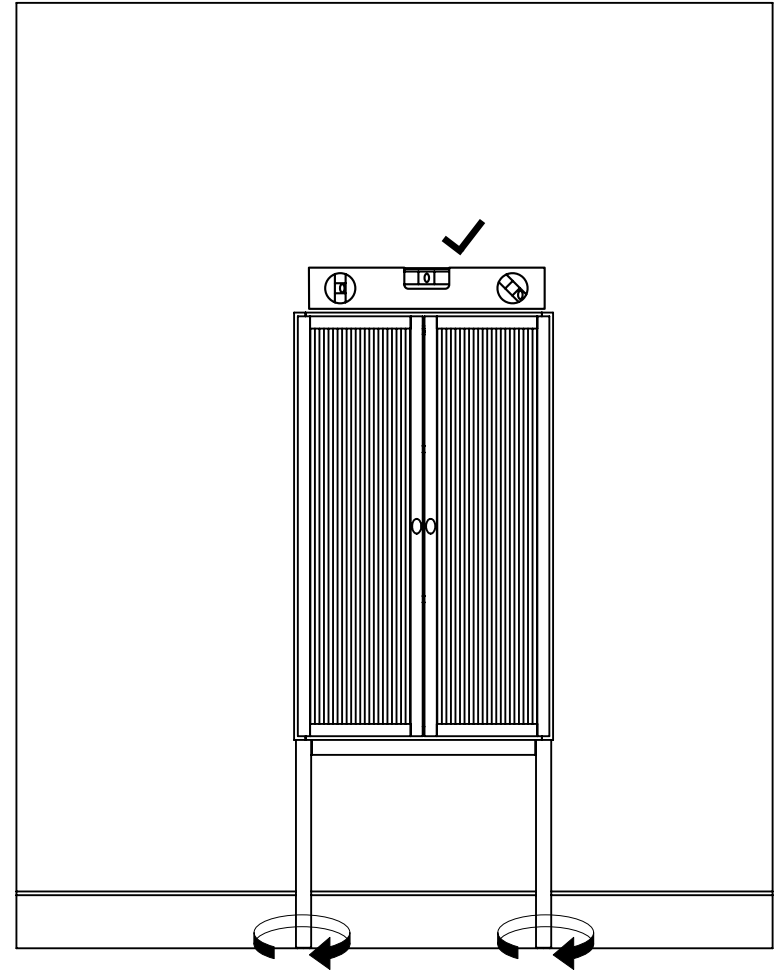
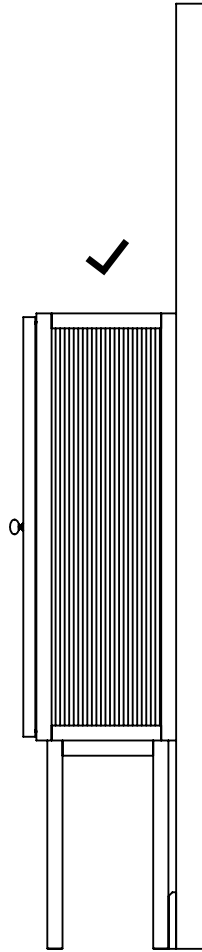
4



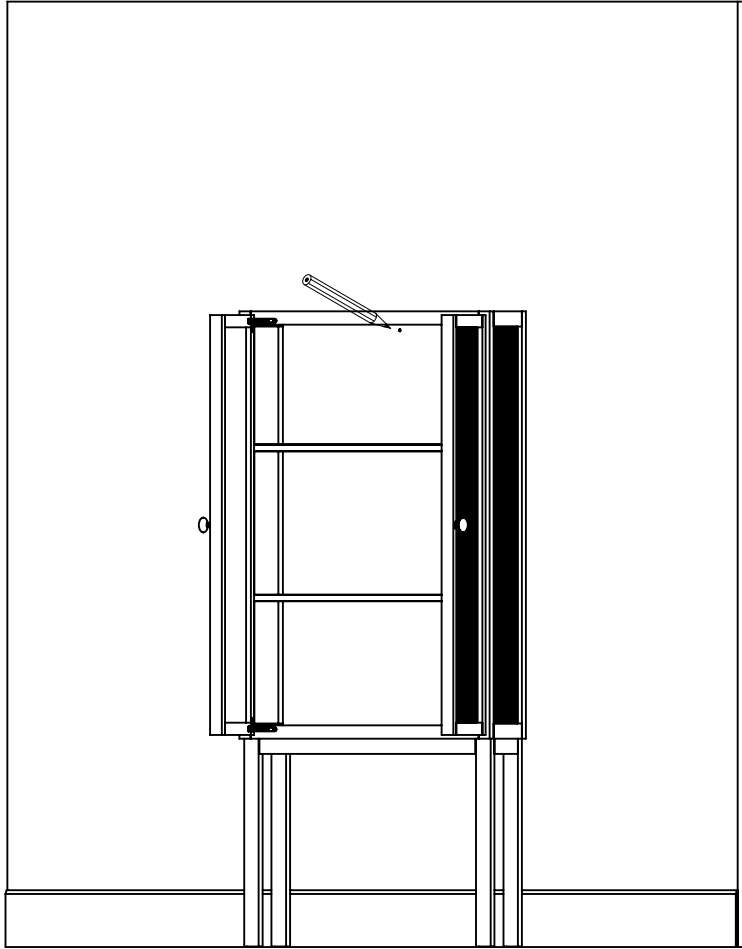
5



6



7



8

