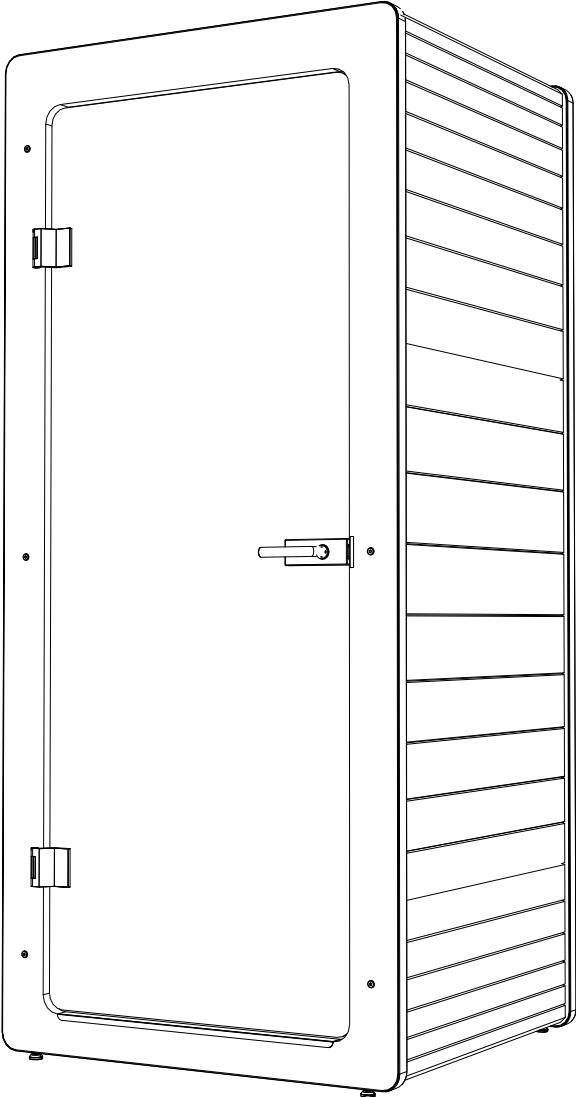


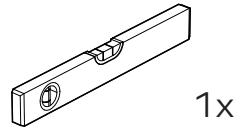
**185**  
Chatpod



# 185

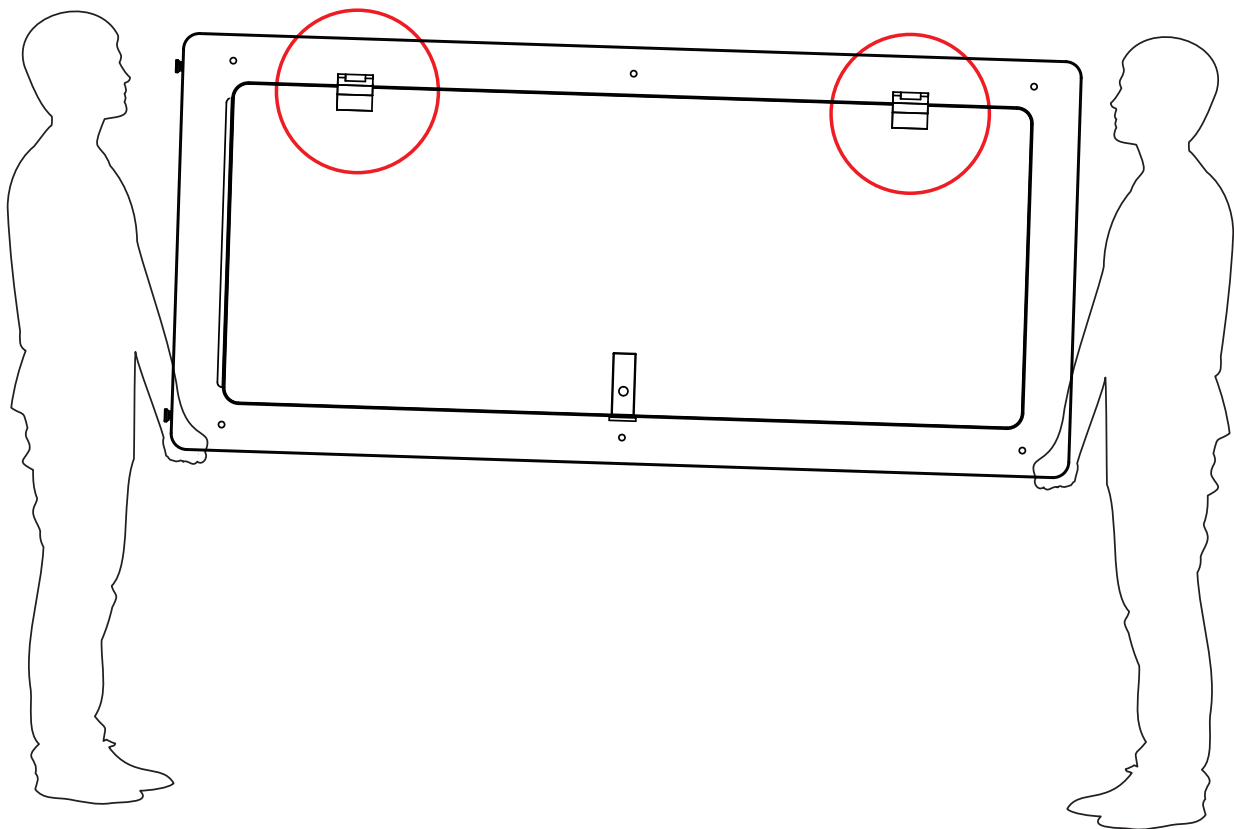
## Chatpod

Is required in addition to the scope of delivery:



### Attention:

Always carry the front panel in a way that the hinges are always on top, otherwise the door could accidentally open and break.

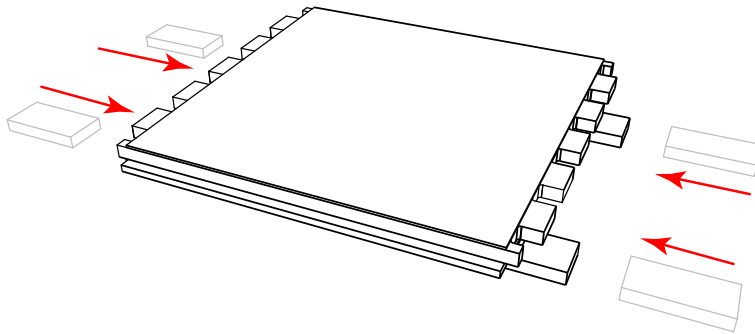


# 185

## Chatpod

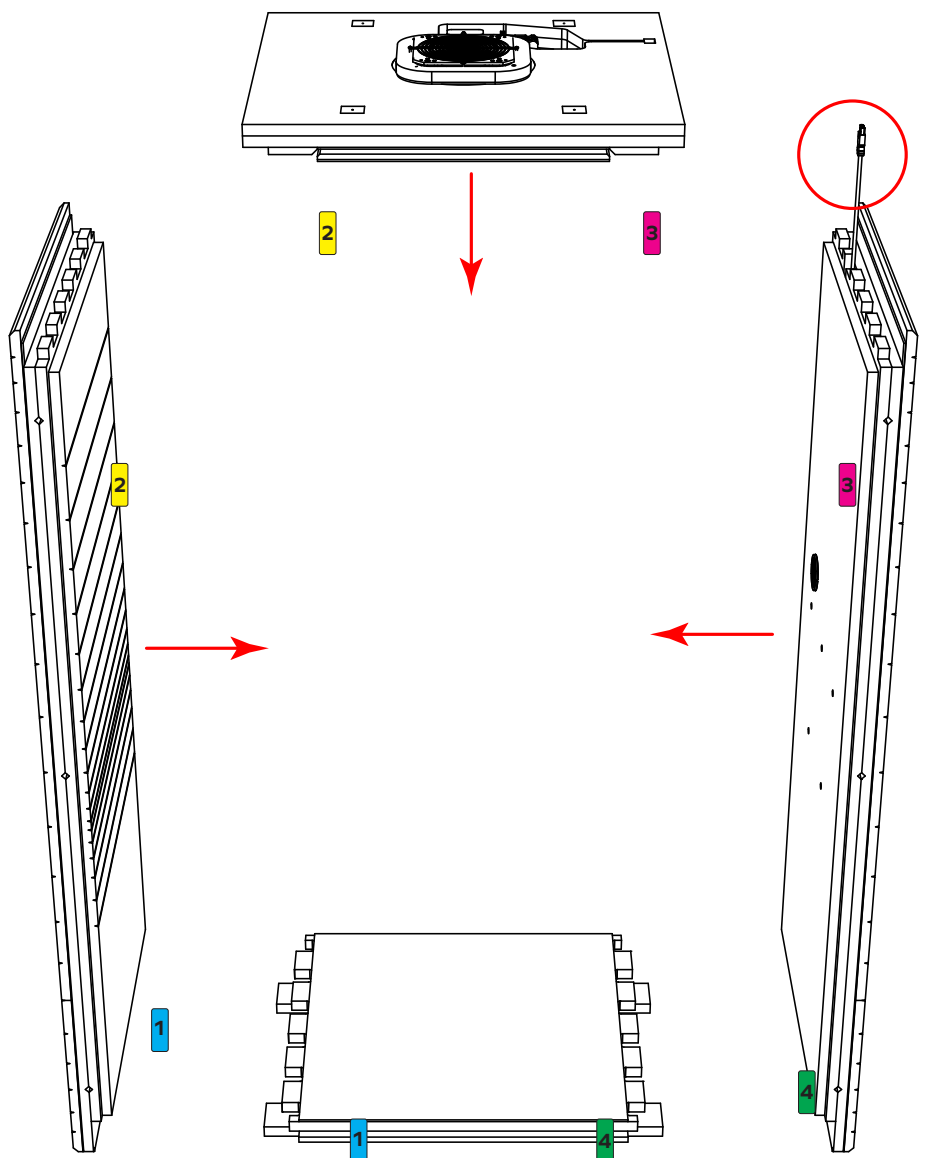
### 1

Place the honeycomb cardboard blocks under the cardboard supports of the base. Make sure that the bottom sits stably on the blocks and that the blocks protrude a few centimeter to the sides.



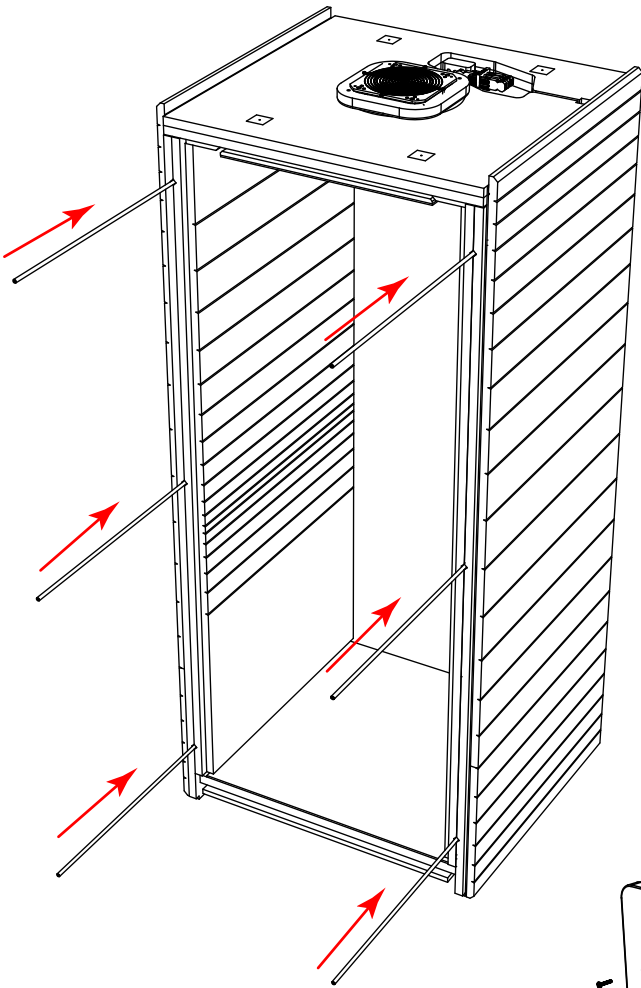
### 2

Place the two sides on the honeycomb blocks and tuck them into the bottom. This should go easily, if not, make sure the sides and bottom are aligned. Hold the sides until the top is assembled. Pin the top together with the sides, pull the cable through the top from the right side.



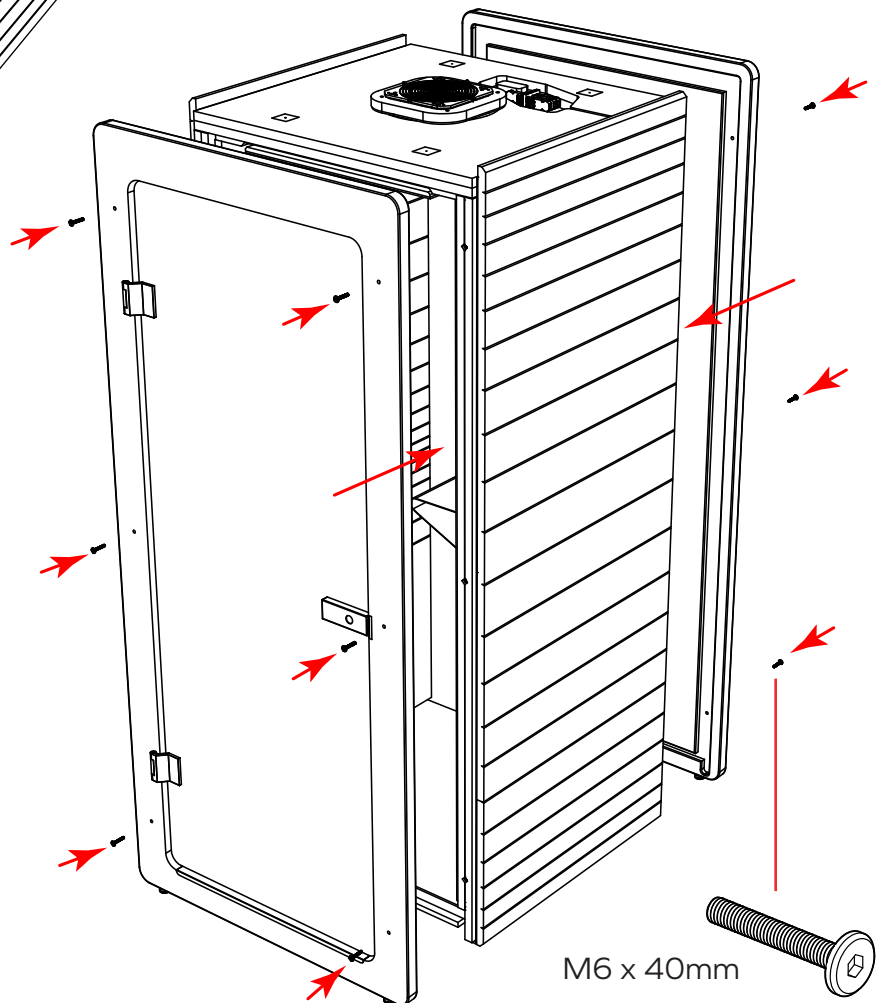
### 3

Insert the six connecting rods.



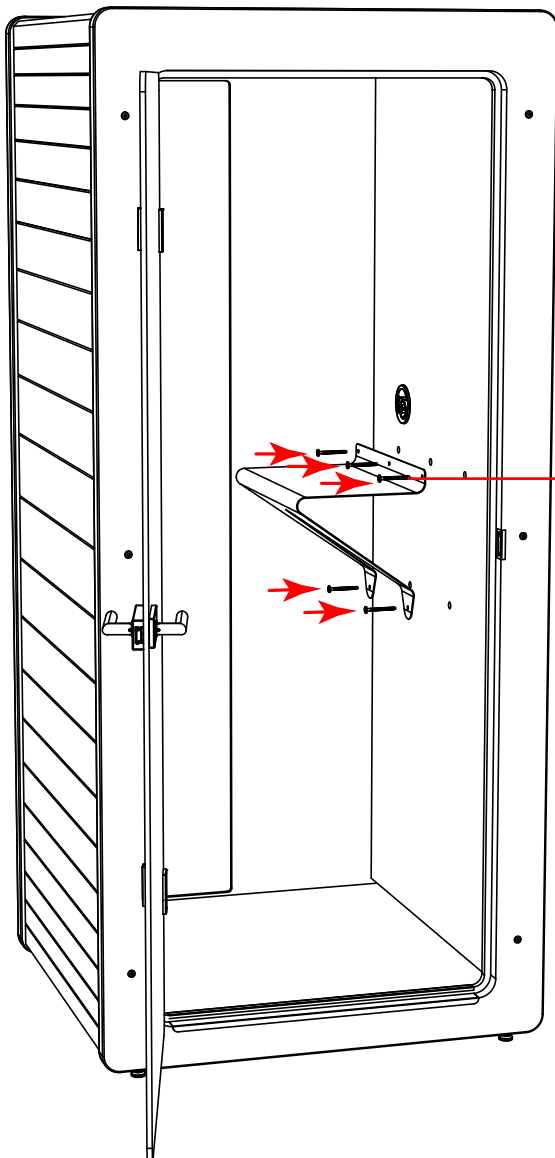
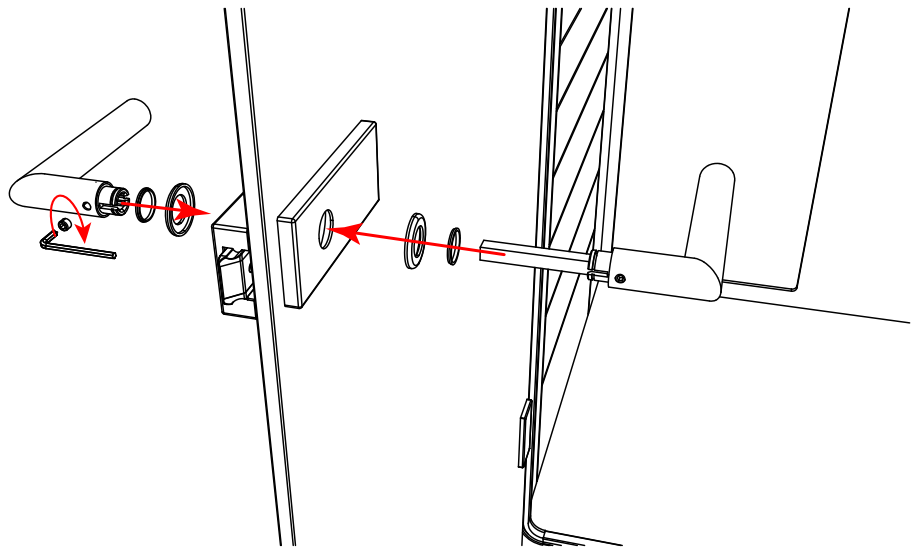
### 4

Join the back wall with the sides, the bottom and the top. Secure the back panel by screwing the six screws a few turns into the connecting rods. Do the same with the front. Now tighten all the screws, which must be countered on the opposite side.



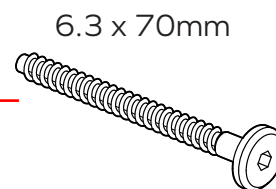
# 5

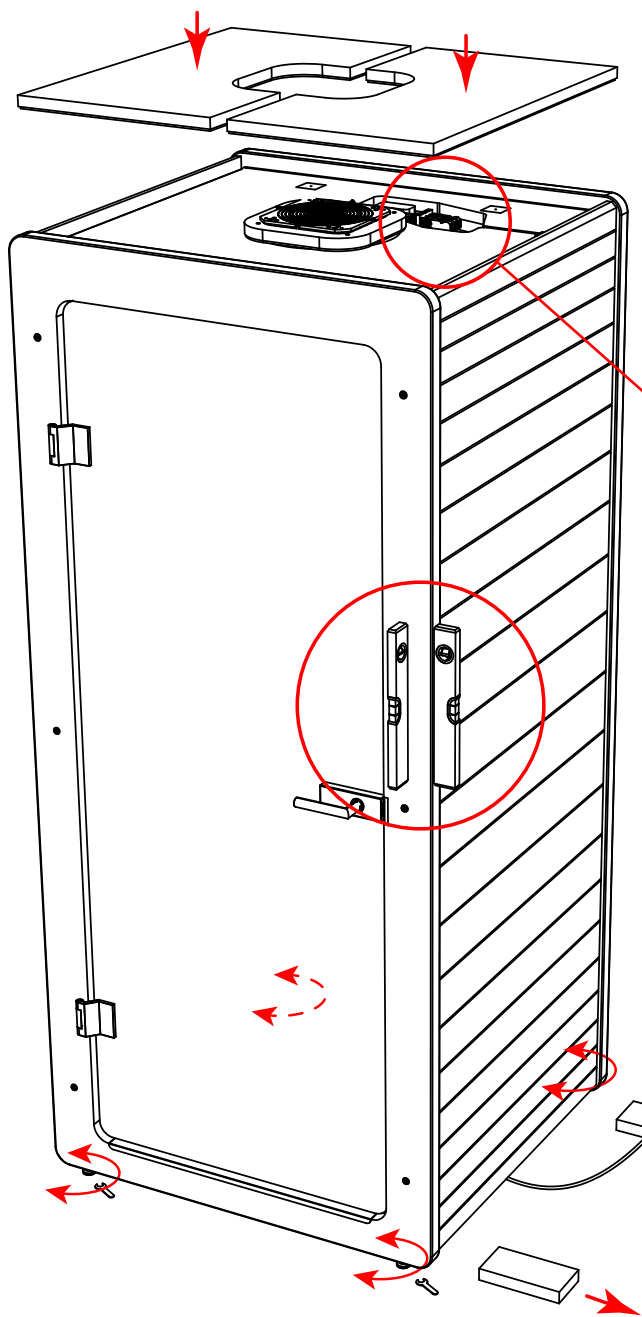
Assemble the door handle in the following order: lock, metal washer, plastic washer, door handle. Press the two halves of the door handle together while tightening the stud screw with the 3 mm hex key. Make sure that the handle is mounted with the pre-mounted square pin in the inside of the chatpod.



# 6

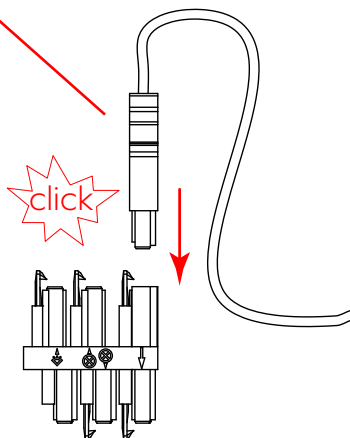
Now screw the table to the side with the five screws.





**7**

Remove the four honeycomb cardboard blocks. Align the chatpod using the four leveling feet. Insert the plug as shown. Place the two outer panels on the cover. Plug the power cord into the socket.



**Well  
done!**