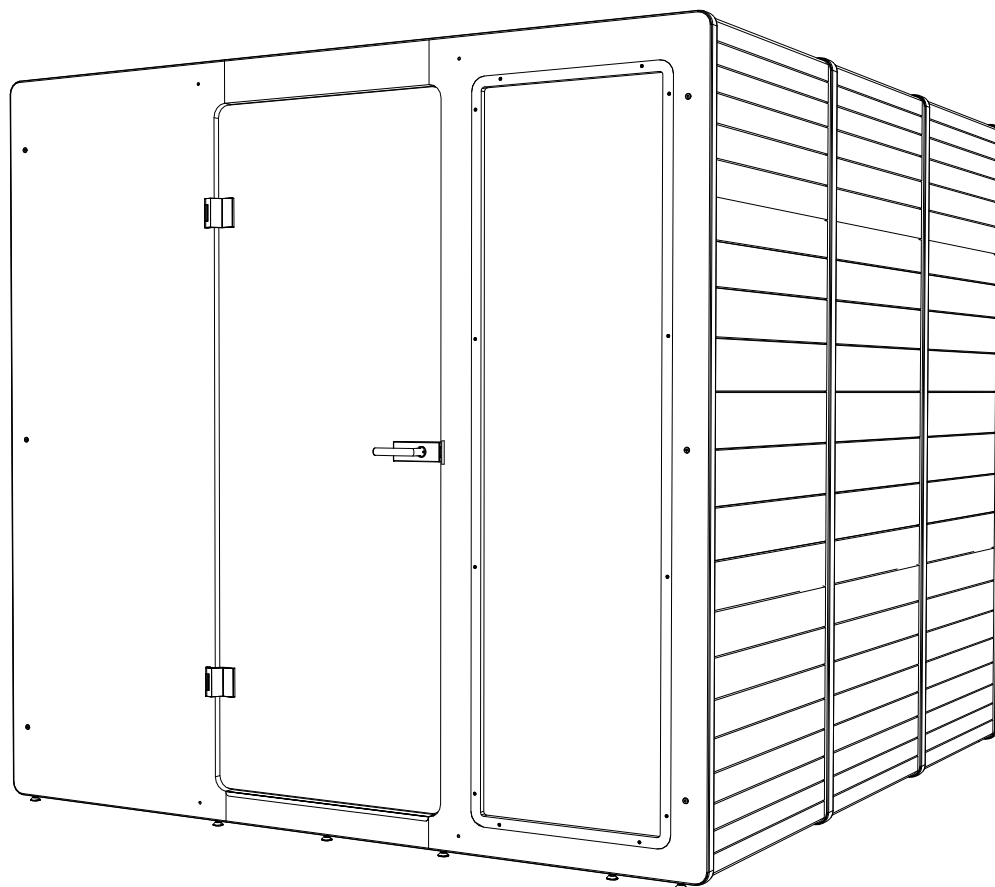


IMPACT ACOUSTIC®



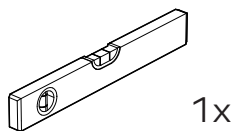
1200

Chatpod

ASSEMBLY INSTRUCTIONS

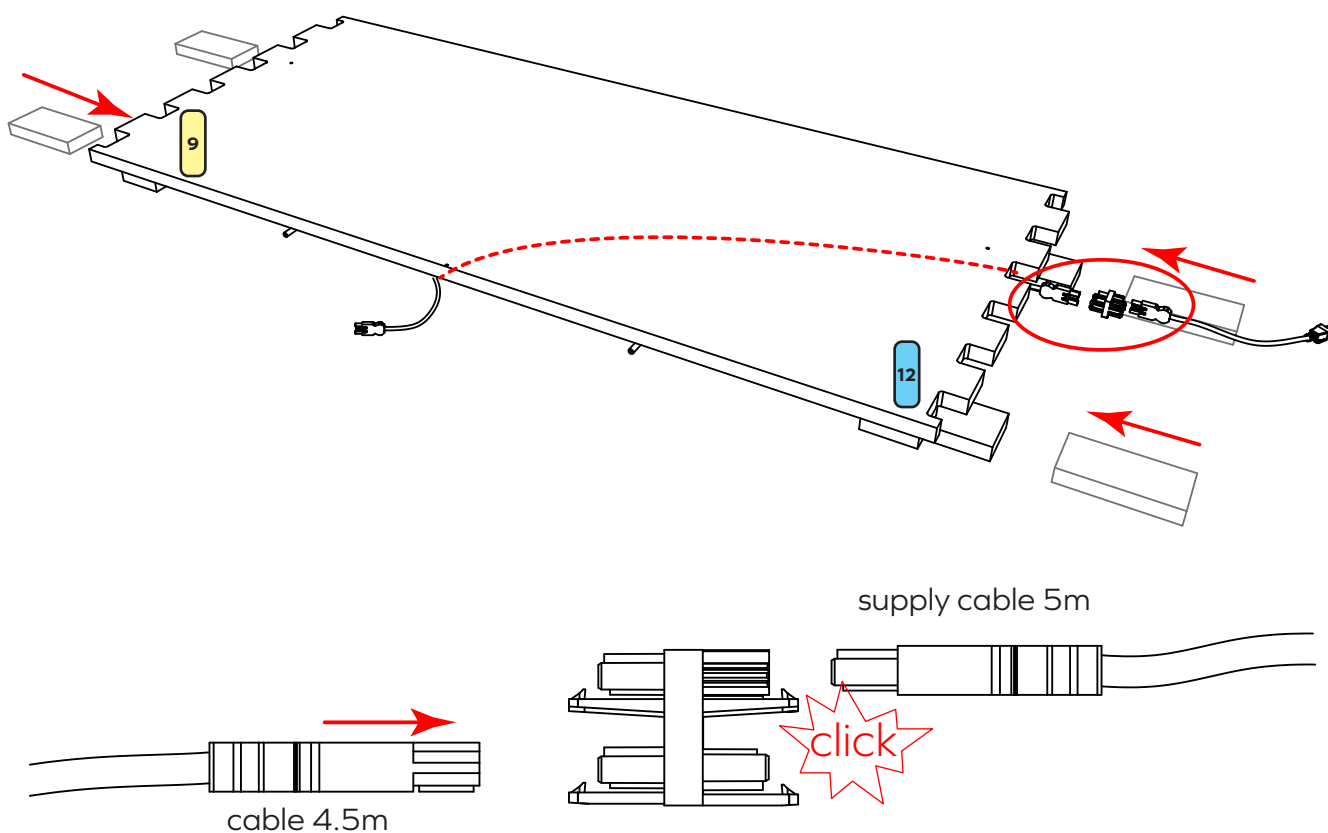
1200 Chatpod

Is required in addition to the scope of delivery:



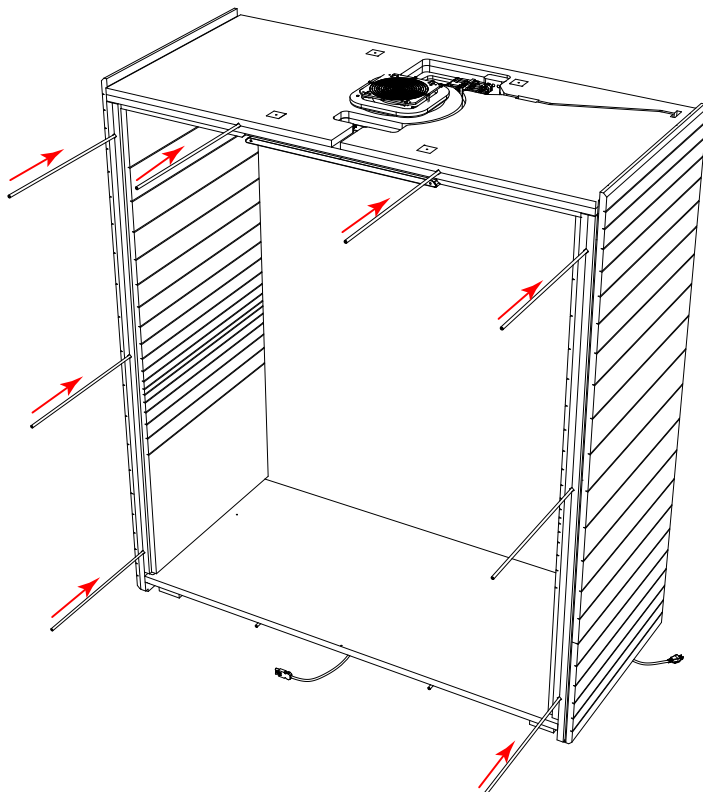
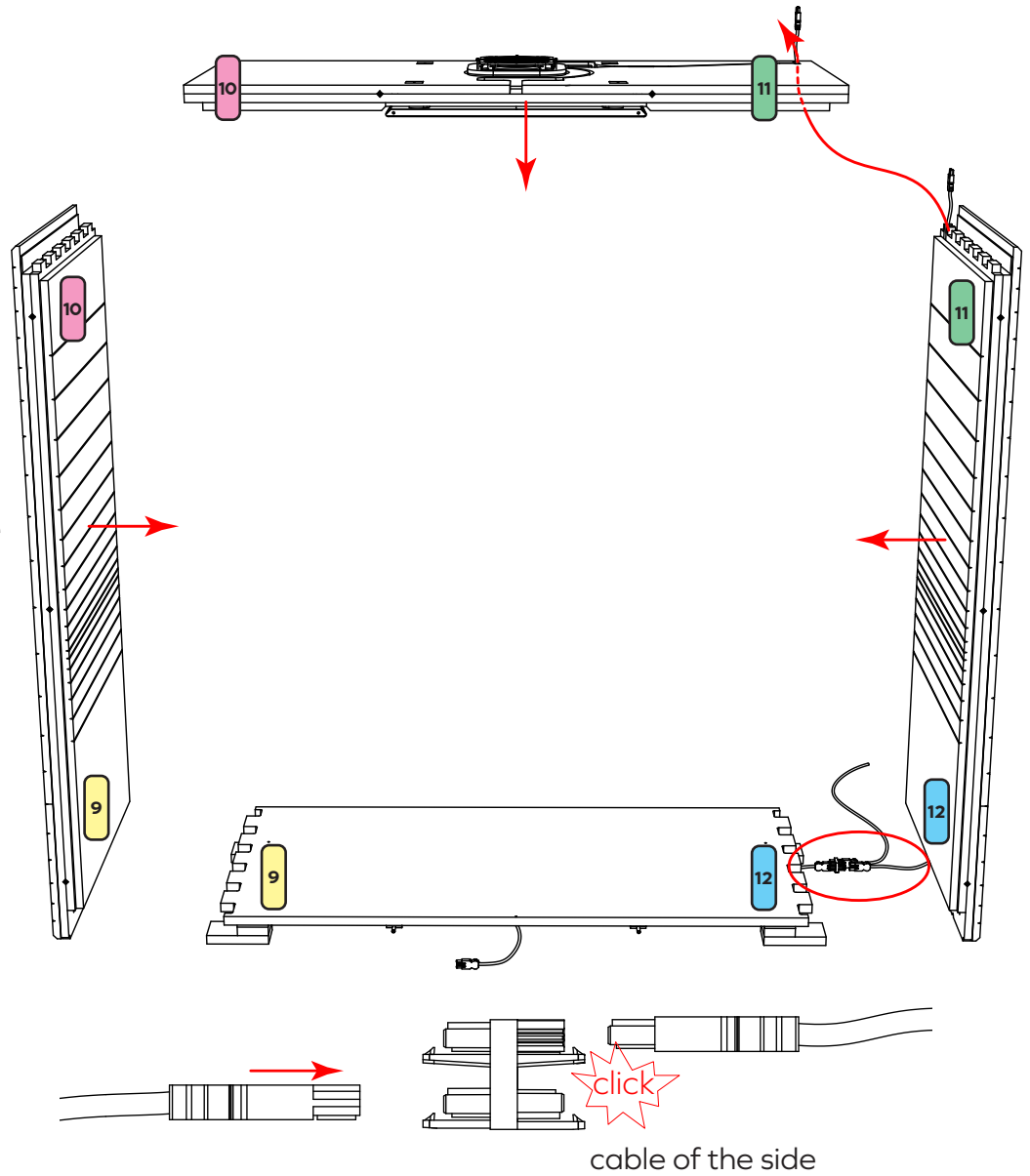
1

Place the honeycomb cardboard blocks under the cardboard supports of the base. Make sure that the bottom sits stably on the blocks and that the blocks protrude a few centimeter to the sides. Insert the supply cable and the 4.5m cable into the H-distributor until they click into place.



2

Insert the cable of the right side into the H-distributor. Place the two sides on the honeycomb blocks and tuck them into the bottom. This should go easily, if not, make sure the sides and bottom are aligned. Hold the sides until the top is assembled. Pin the top together with the sides, pull the cable through the top from the right side.

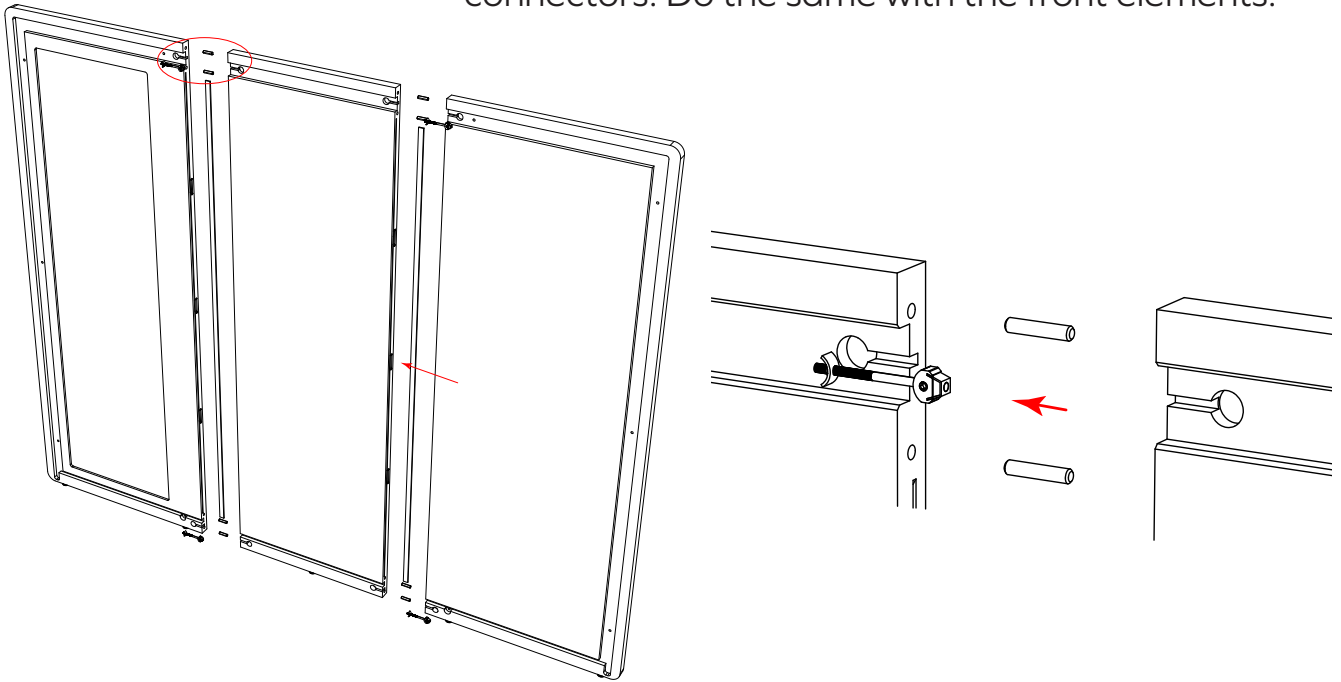


3

Insert the eight connecting rods.

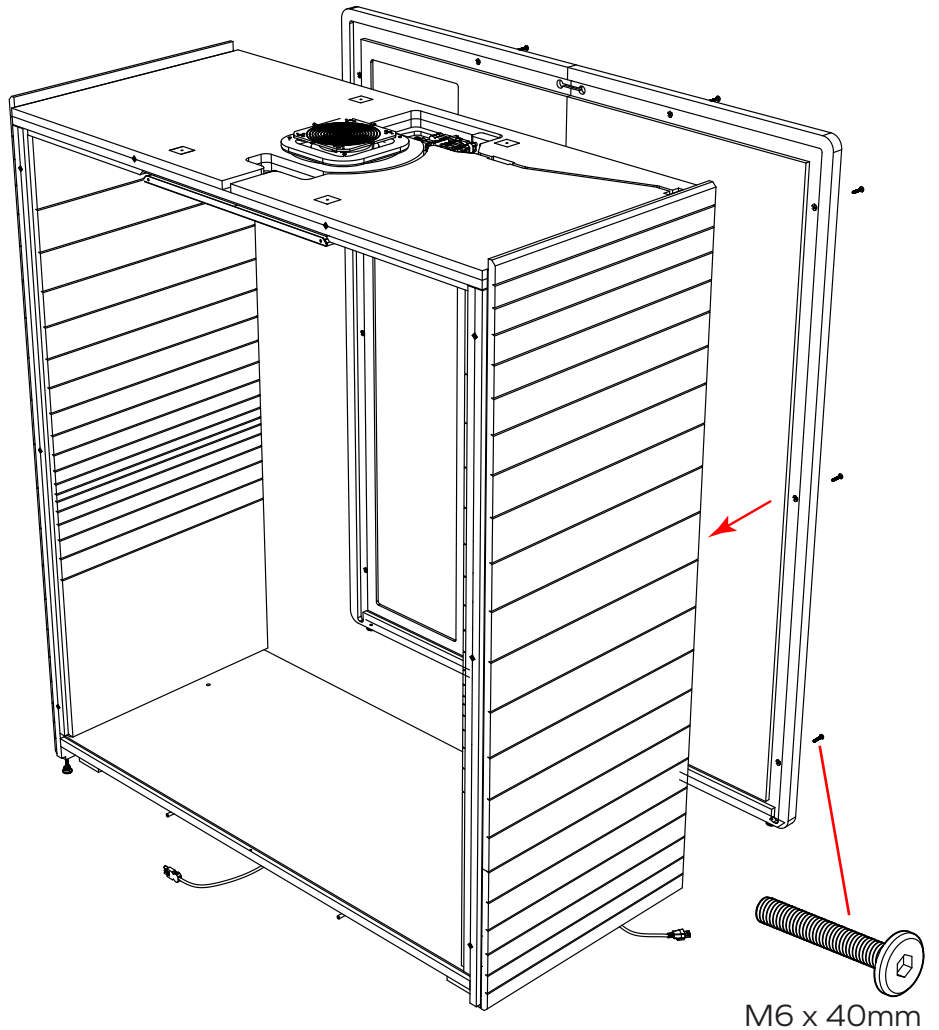
4

Insert the wooden dowels into the holes. Join the two back panel elements and pull them together with the connectors. Do the same with the front elements.



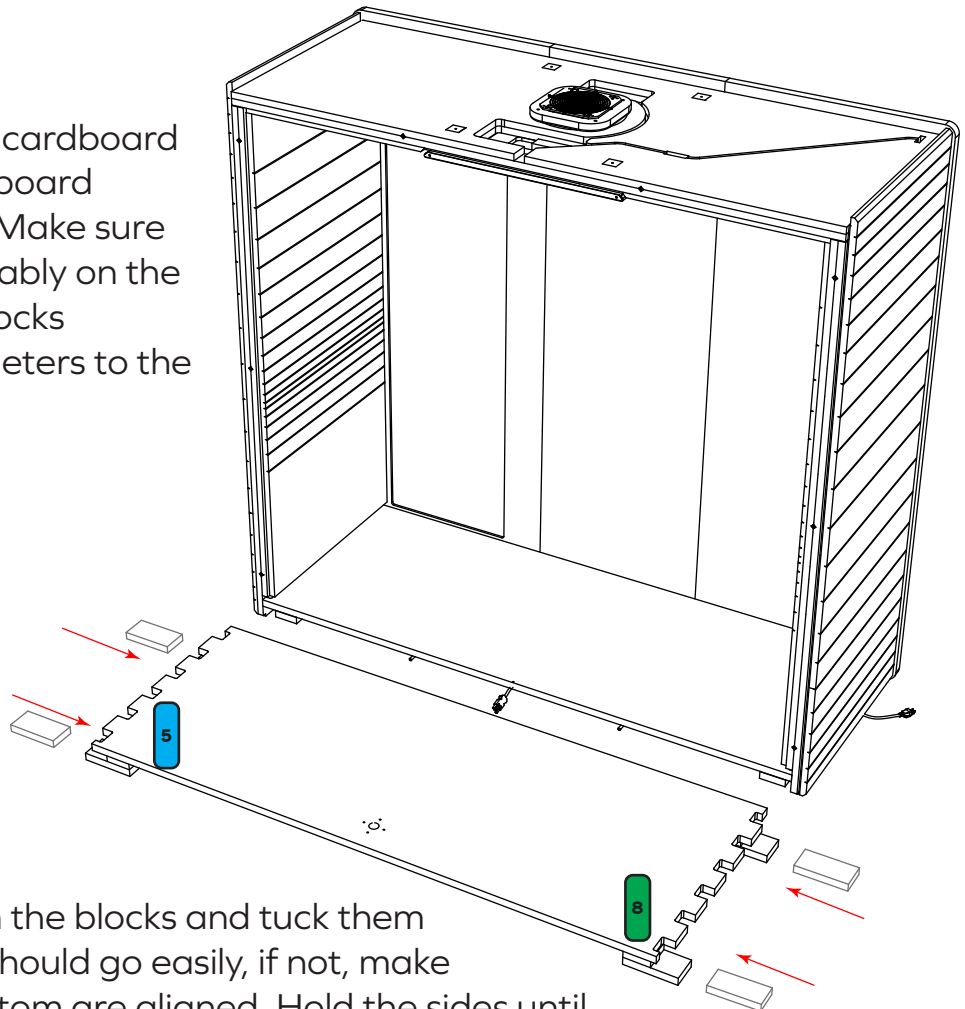
5

Join the back wall with the sides, the bottom and the top. Secure the back panel by screwing the ten screws a few turns into the connecting rods.



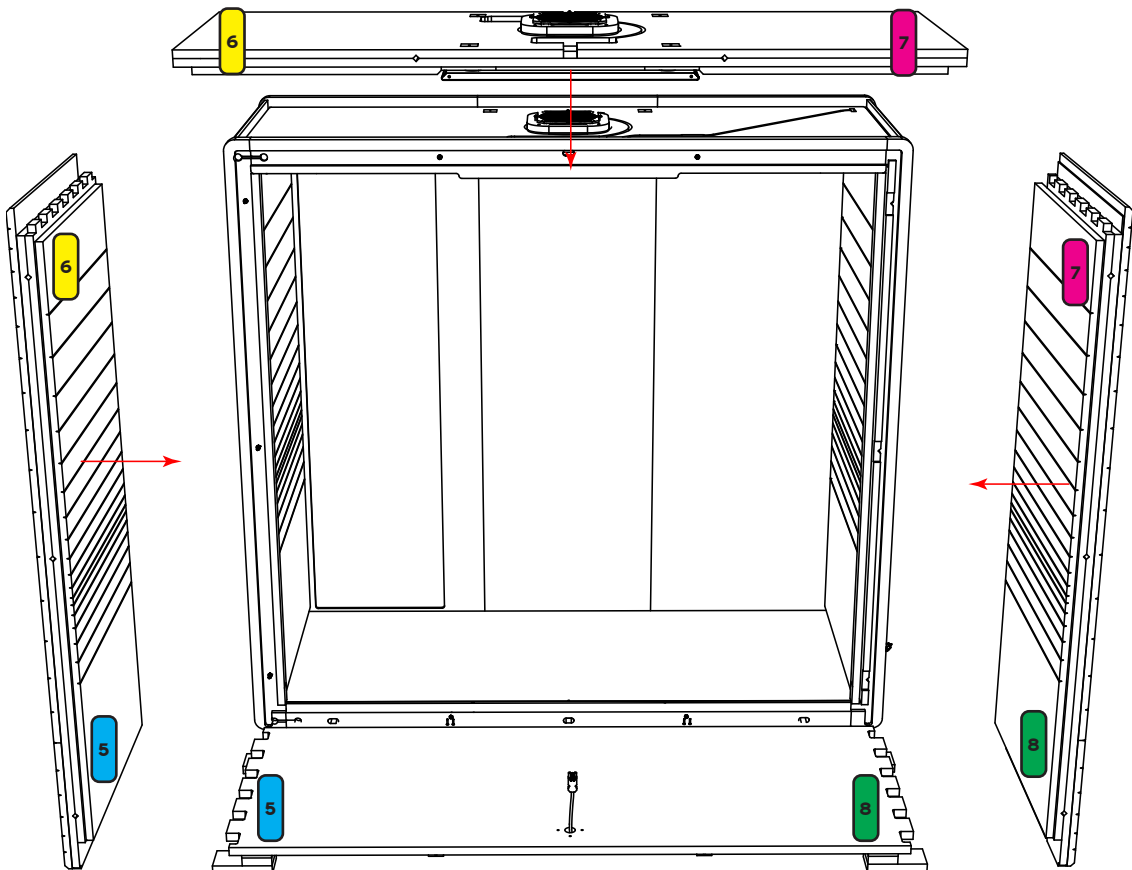
6

Place the honeycomb cardboard blocks under the cardboard supports of the base. Make sure that the bottom sits stably on the blocks and that the blocks protrude a few centimeters to the sides.



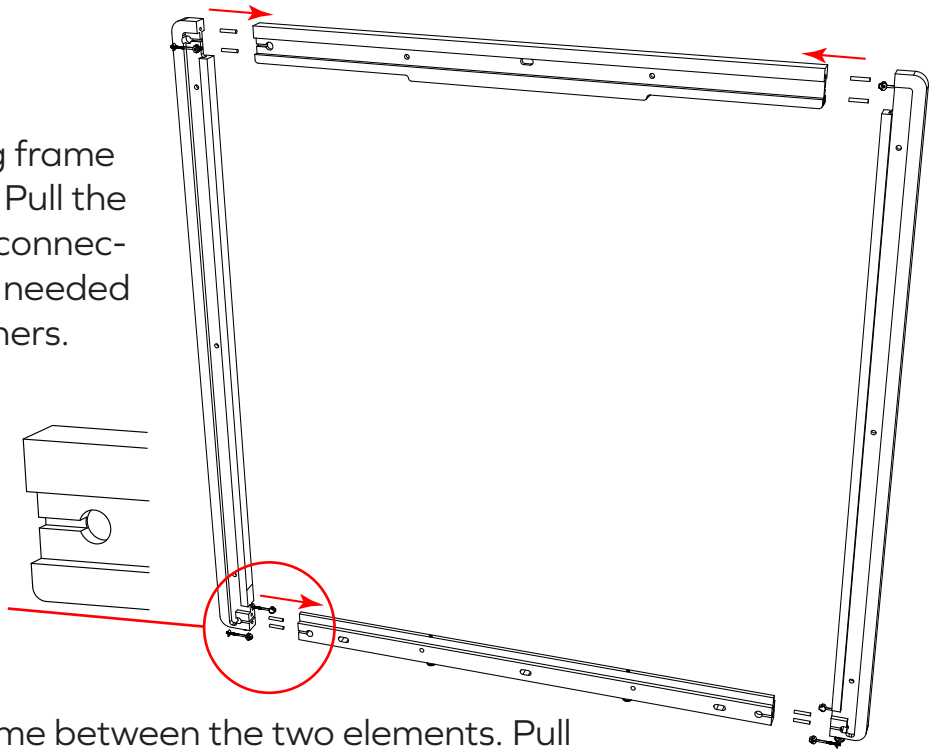
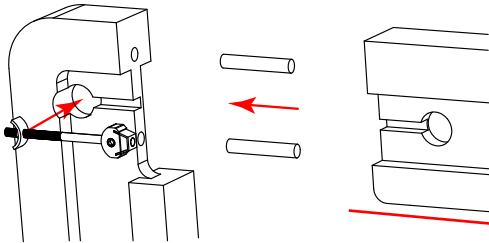
7

Place the two sides on the blocks and tuck them into the bottom. This should go easily, if not, make sure the sides and bottom are aligned. Hold the sides until the lid is assembled. Pin the cover together with the sides.



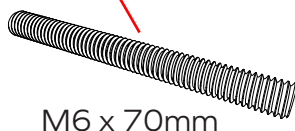
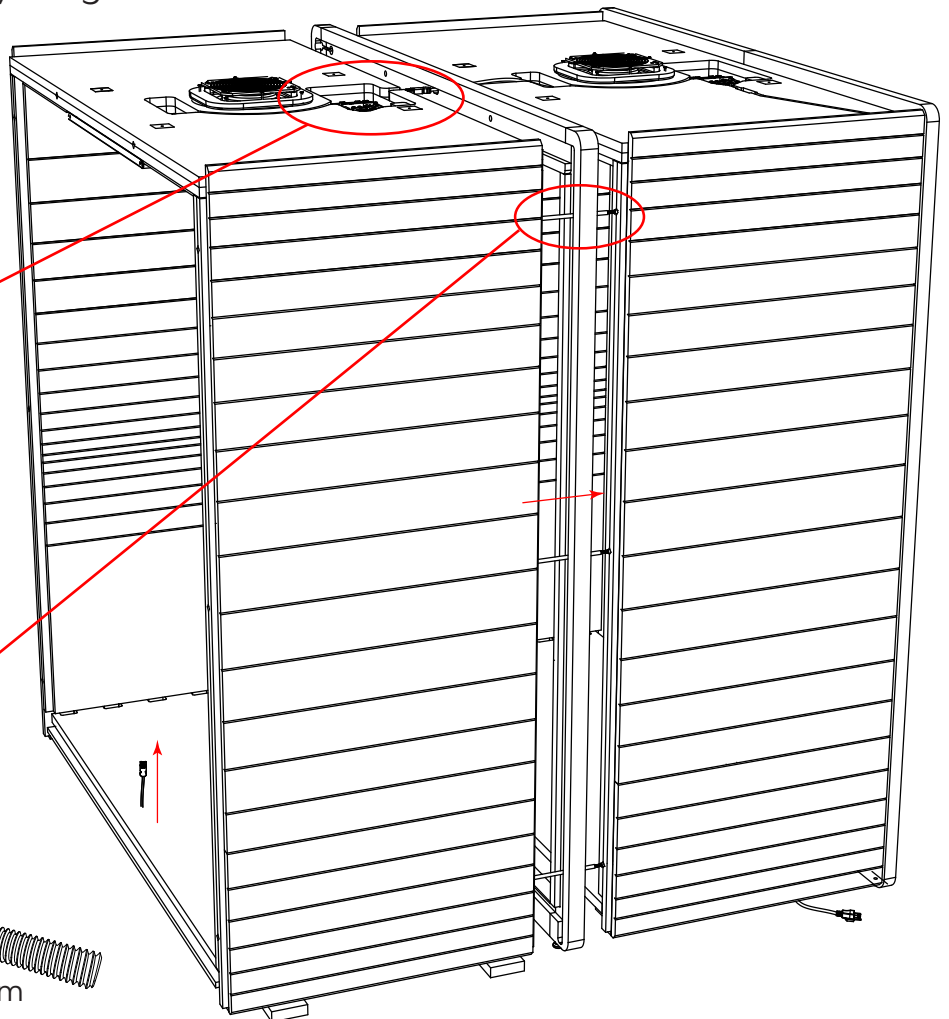
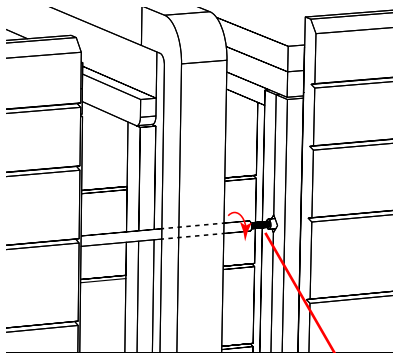
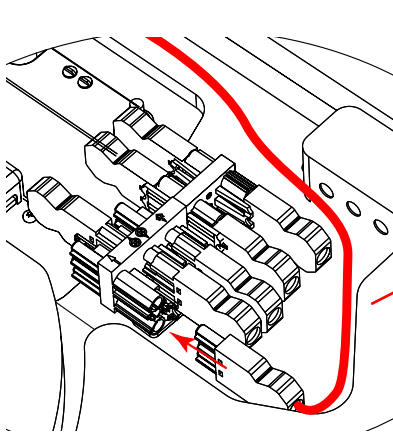
8

Assemble the connecting frame with the wooden dowels. Pull the frame together with the connectors. Two connectors are needed for each of the lower corners.



9

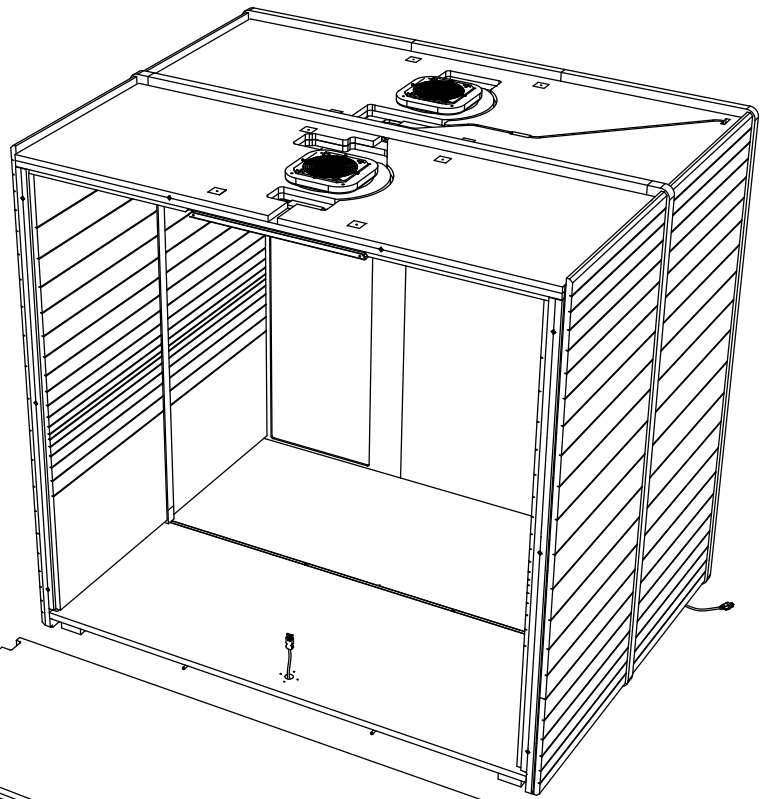
Place the connecting frame between the two elements. Pull the loose cable from the rear element through the slot of the connecting frame and plug it into the switch distributor. Insert the connecting rods in the front element and the connecting frame and connect them to the connecting rods of the rear element. Use the M6x70mm set screws for this purpose. Tighten the connecting rods as far as they will go.



M6 x 70mm

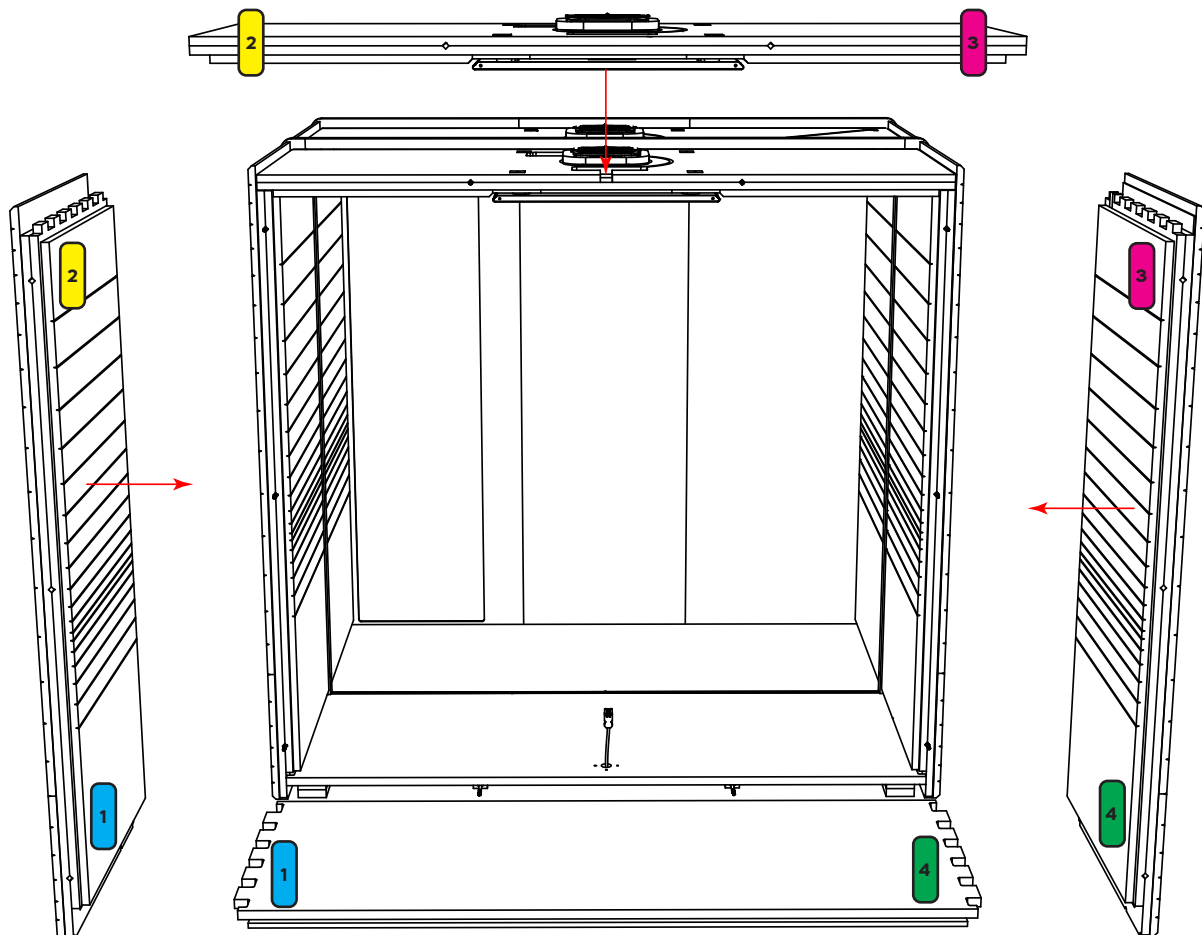
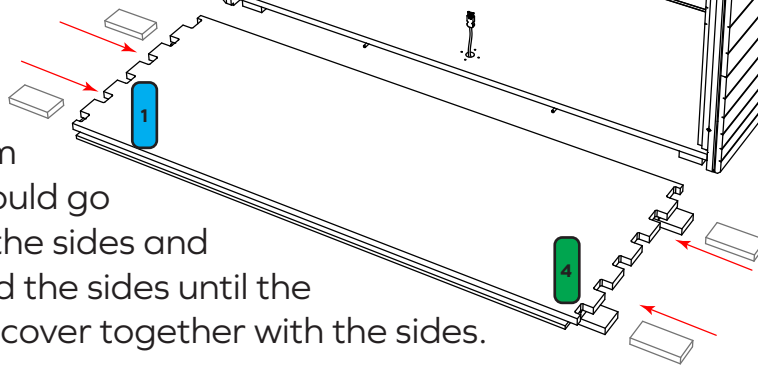
10

Place the honeycomb cardboard blocks under the cardboard supports of the base. Make sure that the bottom sits stably on the blocks and that the blocks protrude a few centimeters to the sides.



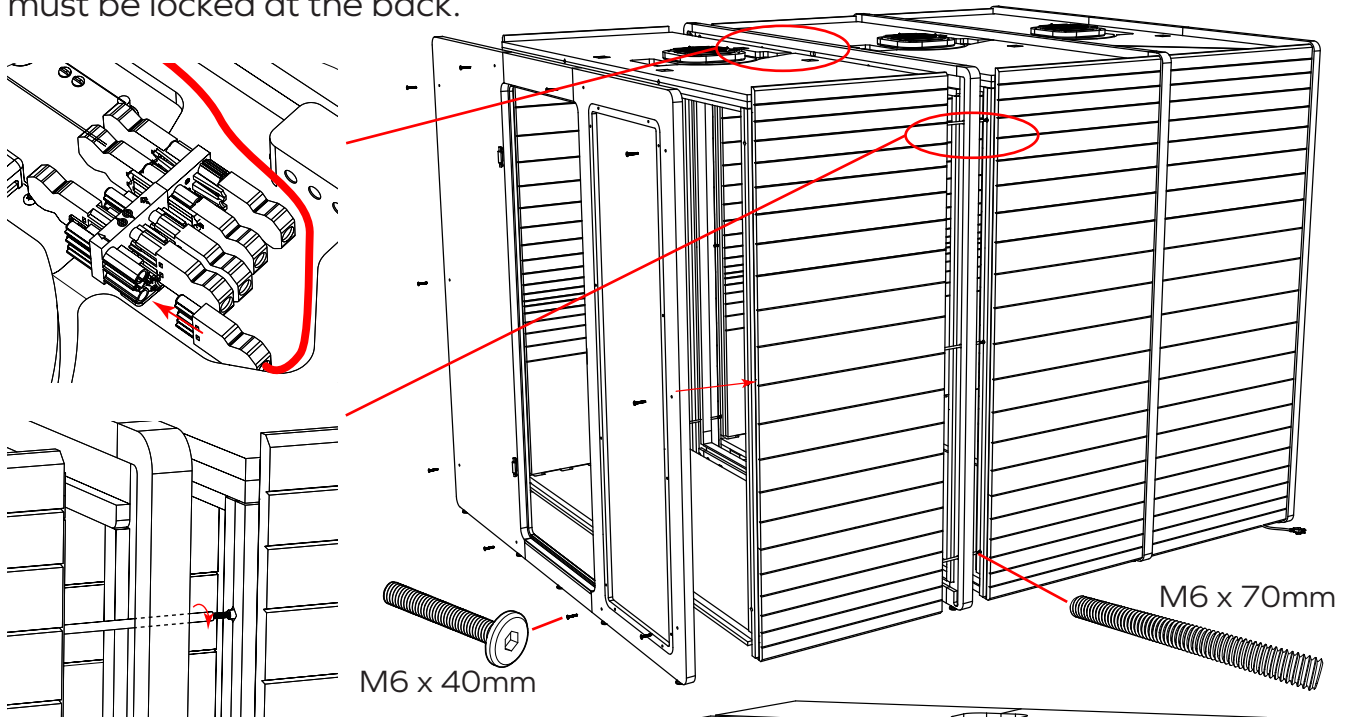
11

Place the two sides on the blocks and tuck them into the bottom. This should go easily, if not, make sure the sides and bottom are aligned. Hold the sides until the lid is assembled. Pin the cover together with the sides.



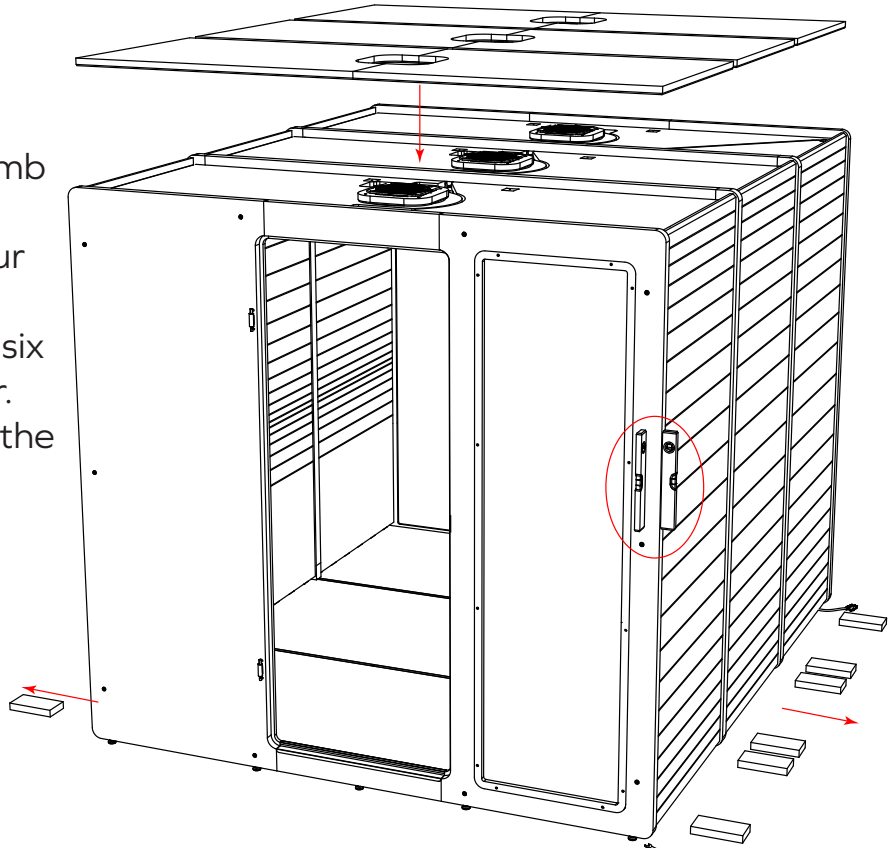
12

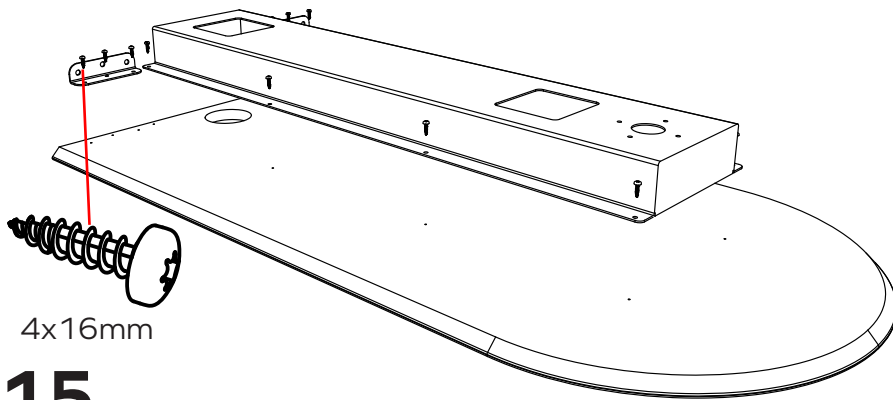
Place the connecting frame between the two front elements. Pull the loose cable from the middle element through the oblong slot of the connecting frame and plug it into the switch distributor. Insert the connecting rods in the front element and the connecting frame and connect them to the connecting rods of the middle element. Use the M6x70mm set screws for this purpose. Tighten the connecting rods as far as they will go. Join the front with the elements and fix them with the M6x-40mm screws, for this purpose the screws must be locked at the back.



13

Remove the 12 honeycomb cardboard blocks. Align the chatpod using the four leveling feet. Insert the plug as shown. Place the six outer panels on the cover. Plug the power cord into the socket.





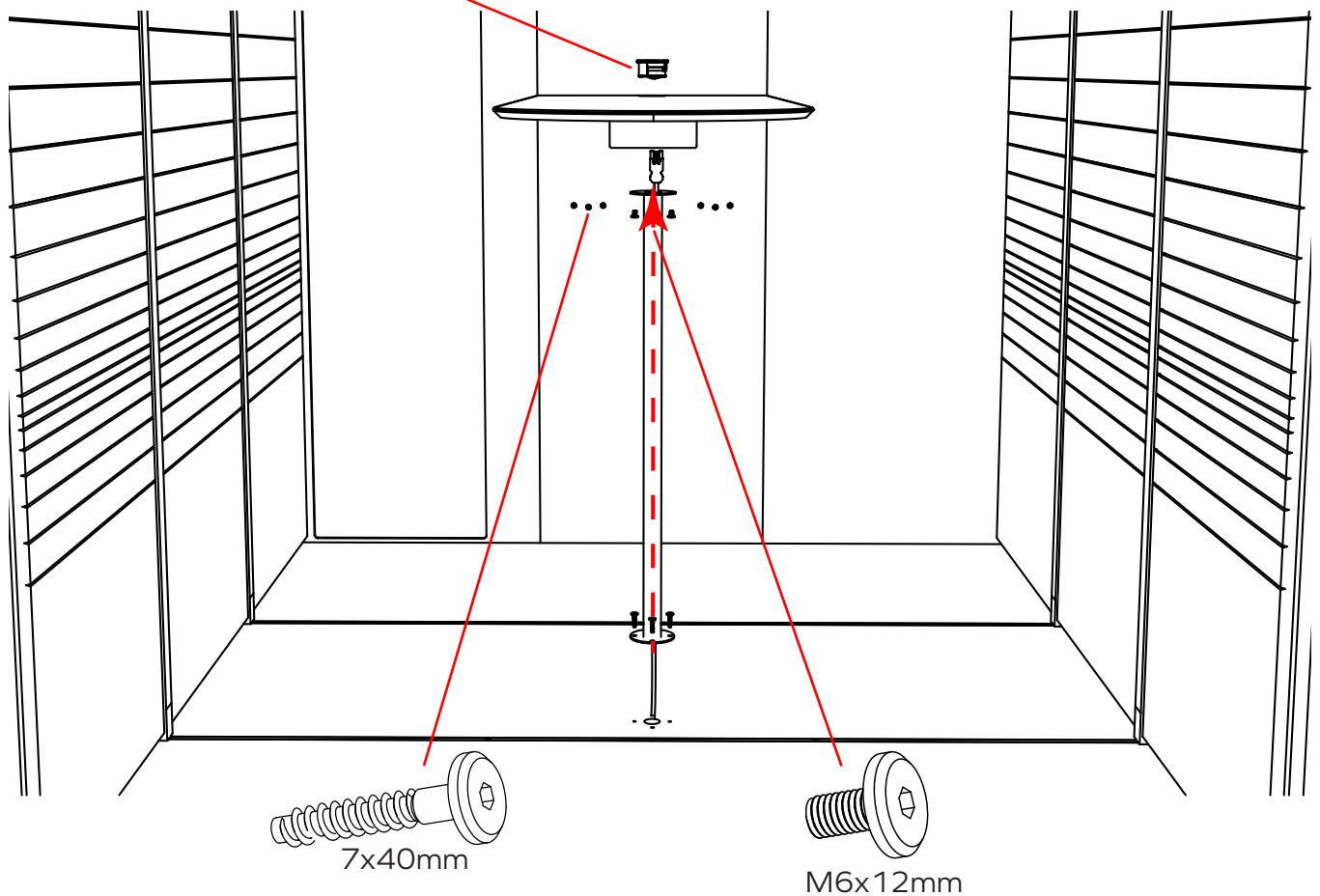
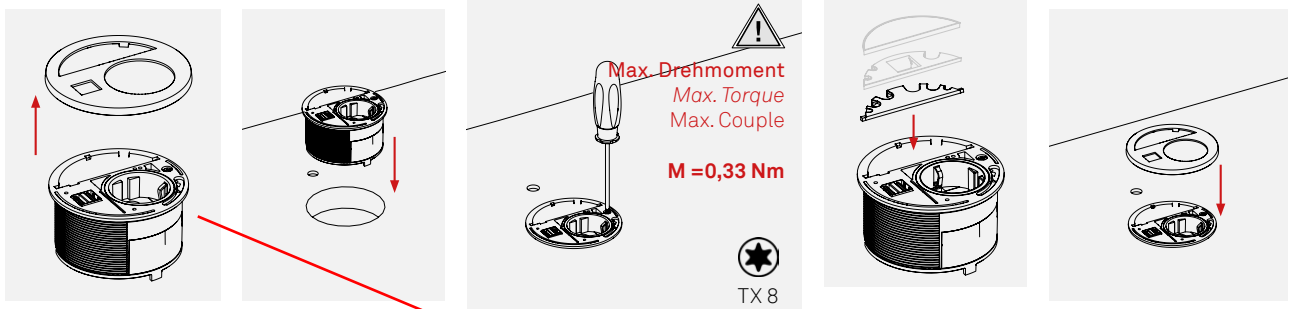
14

Screw the cable channel and the two brackets onto the table top.

4x16mm

15

Pull the cable through the column. Fasten the column with four 7x40mm screws. Attach the table top to the table column with four M6x12mm screws. Connect the table top to the back panel with six 7x40mm screws. Screw the benches onto the floor with the 7x40mm screws. Carefully loosen the cover of the socket. Connect the socket with the supply cable. Insert the socket into the hole. Align it and tighten it. Place the insert and snap the cover back into place.

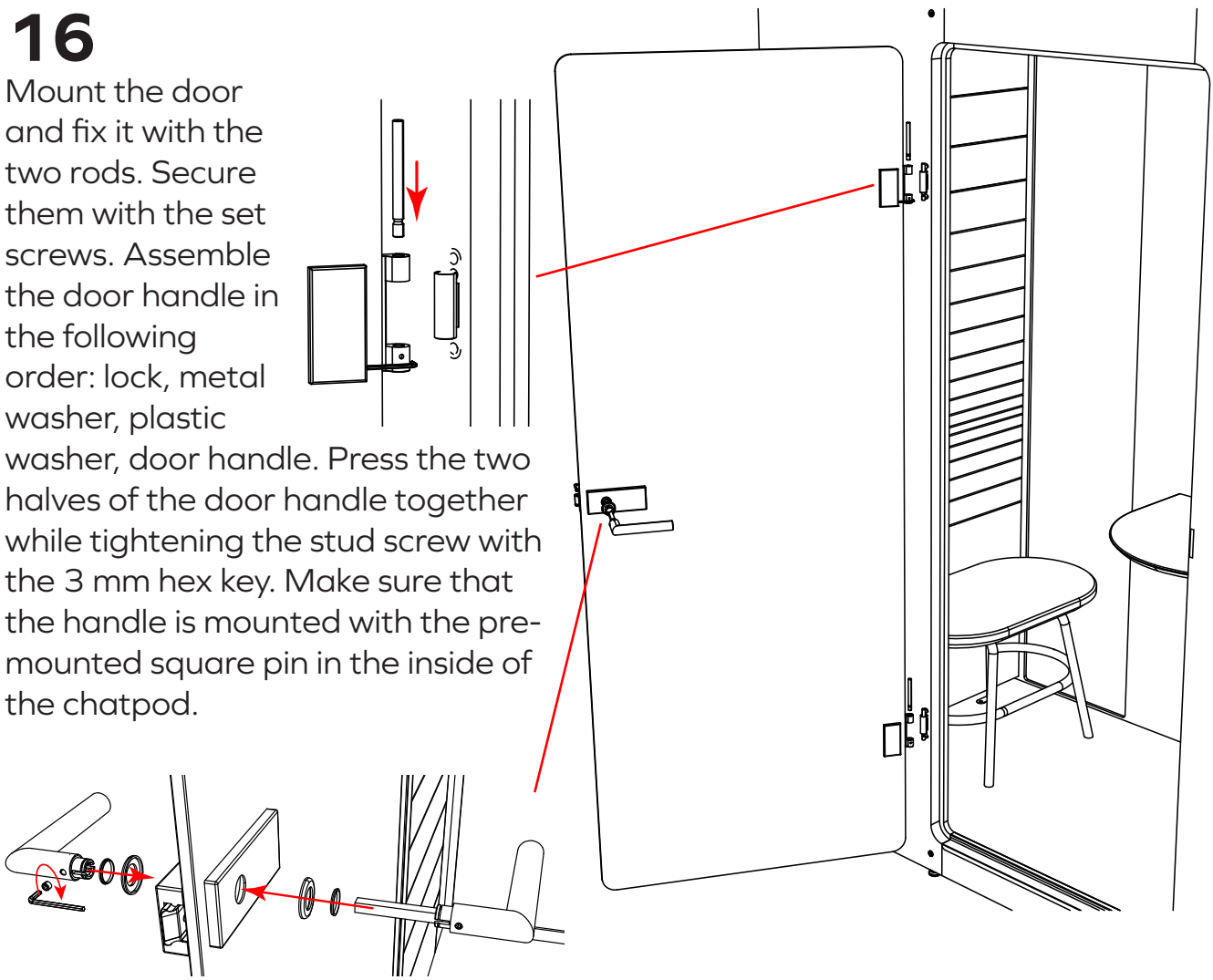


7x40mm

M6x12mm

16

Mount the door and fix it with the two rods. Secure them with the set screws. Assemble the door handle in the following order: lock, metal washer, plastic washer, door handle. Press the two halves of the door handle together while tightening the stud screw with the 3 mm hex key. Make sure that the handle is mounted with the pre-mounted square pin in the inside of the chatpod.



**Well
done!**