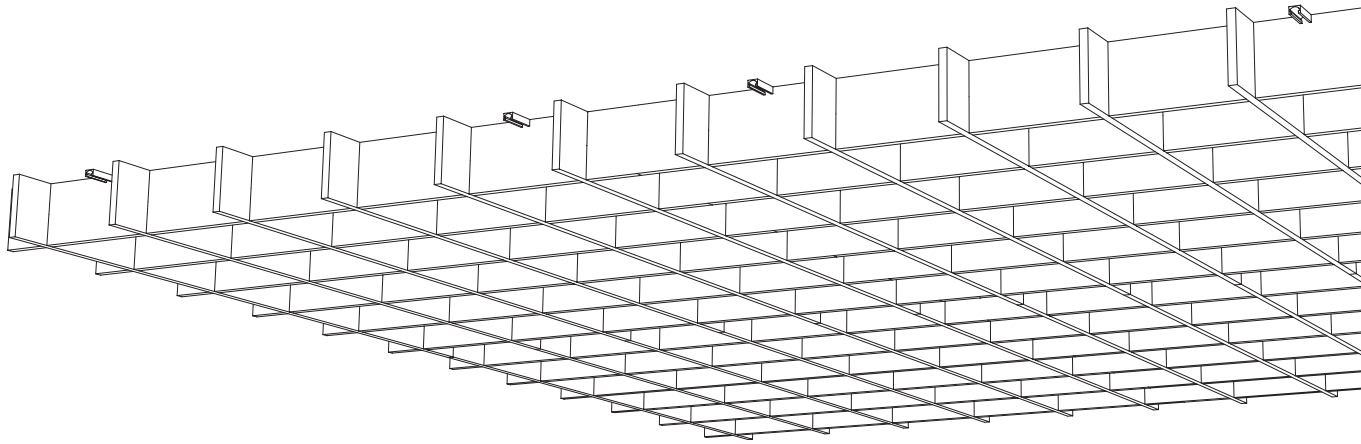


IMPACT ACOUSTIC®



Bespoke

Straight Grid Ceiling

715.24.10.000.80

715.24.11.000.80

715.12.10.000.00

715.24.20.000.80

715.24.21.000.80

715.12.20.000.00

715.24.10.000.90

715.24.11.000.90

715.24.20.000.90

715.24.21.000.90

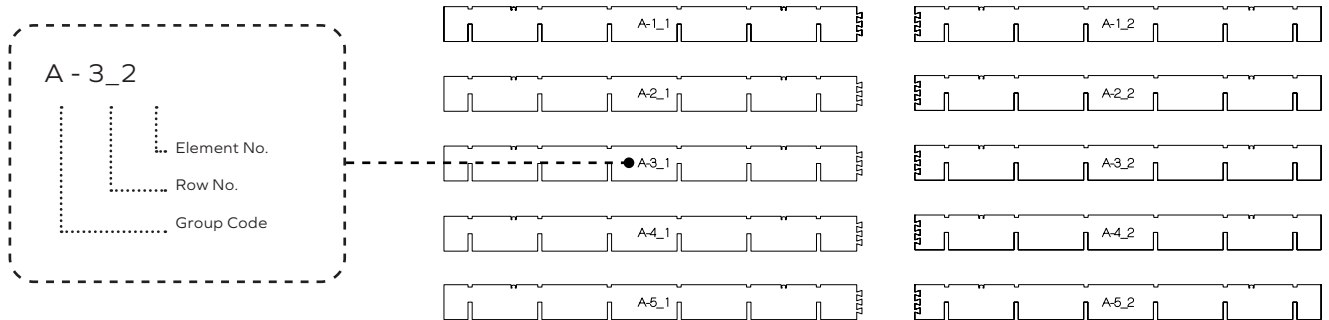
INSTALLATION GUIDE

Bespoke Straight Grid Ceiling

Installation using strut profiles.

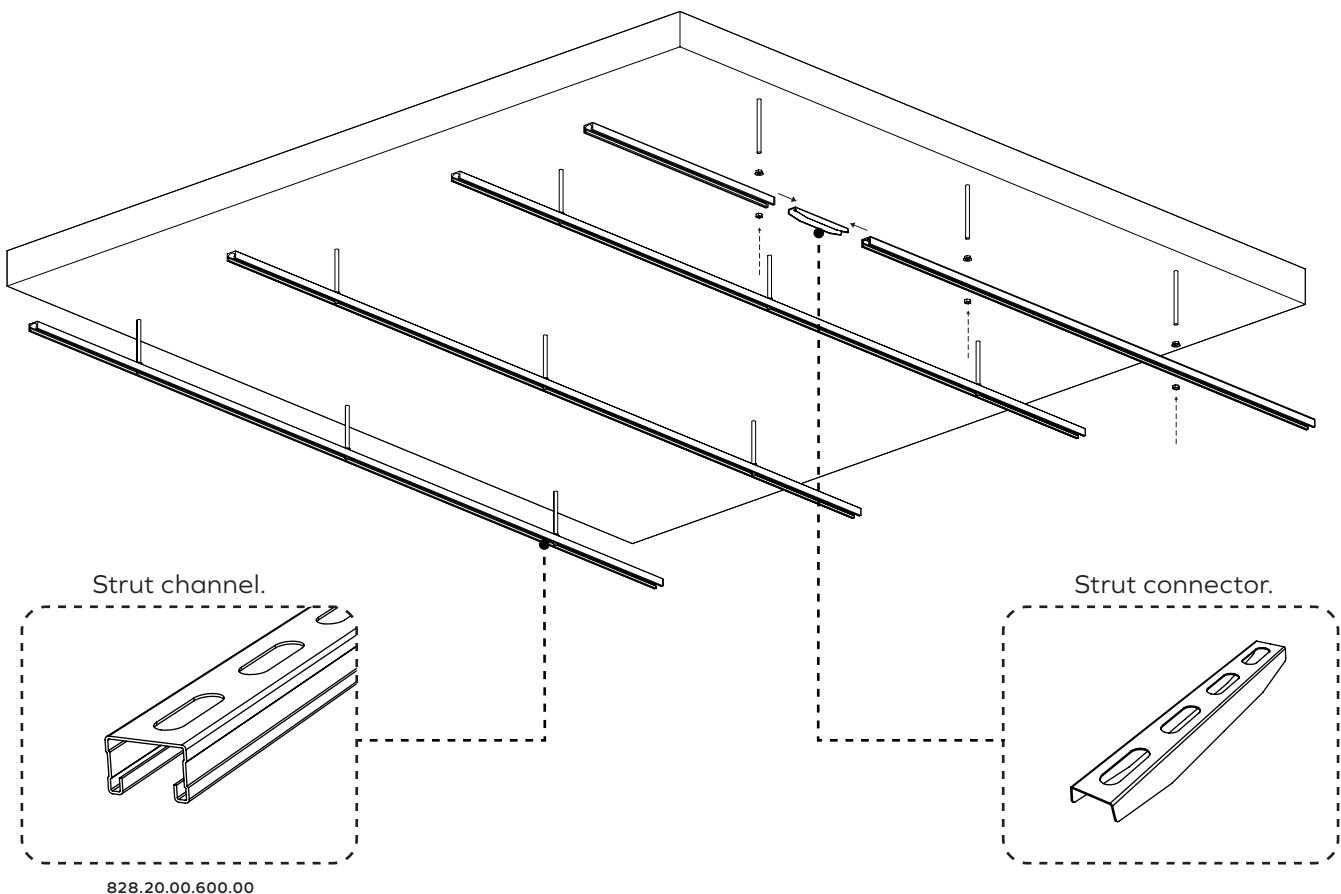
1 Verify and organize

Verify all delivered elements and organize them based on the included labeling of each part and the supplied drawings.



2 Install strut channels *(installation hardware not included)*

Measure and attach strut channels to the ceiling using preferred installation hardware (not included). Threaded rods, wedge anchor or expansion pins could be used in particular cases but particular solution needs to be selected in accordance to mounting surface and composition of the ceiling. If connecting multiple strut segments in line is required, use provided strut connectors.

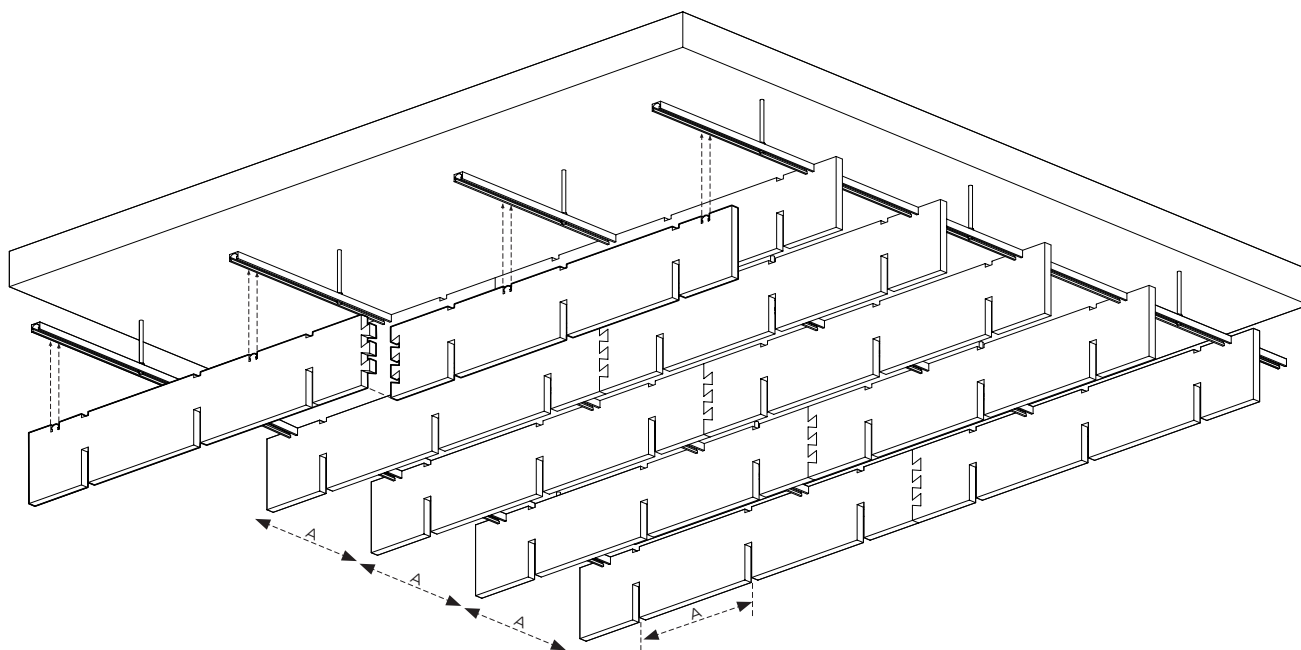


Bespoke Straight Grid Ceiling

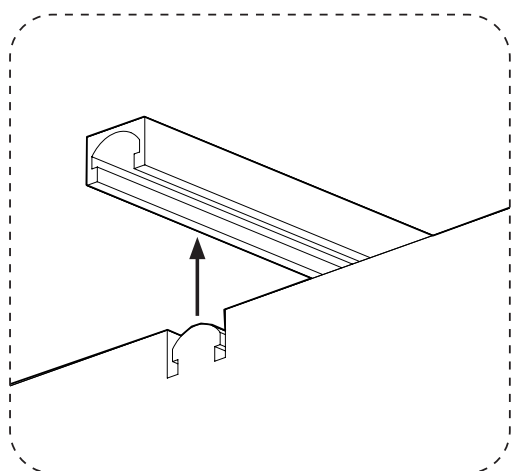
Installation using strut profiles.

3 Attach primary baffles to the strut channels.

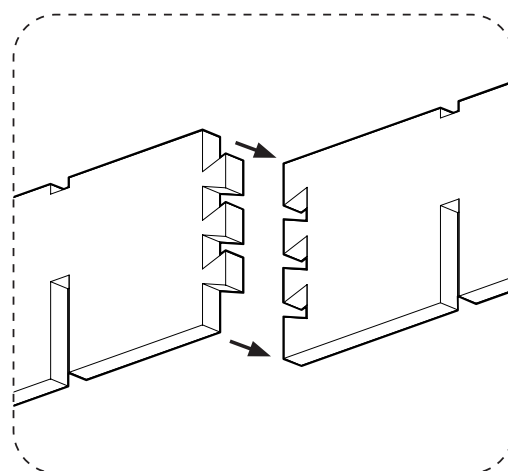
Push in the primary baffles into the strut channel as showed on figure 3.1 until it locks in place and no further movement is possible. Join panels in the same row using dove tail connection as showed on figure 3.2. Proceed row by row keeping the spacing between the rows equal to the spacing between U shaped cutouts on the panels (A).



3.1 Strut connection.



3.2 Dove tail connection.

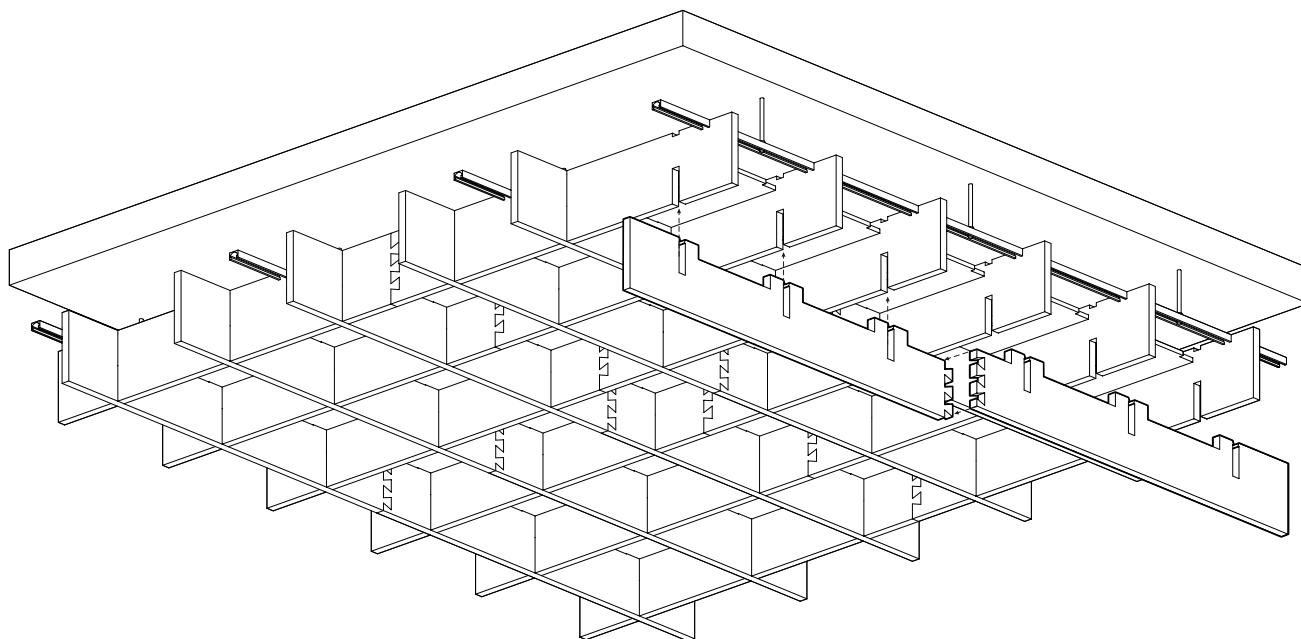


Bespoke Straight Grid Ceiling

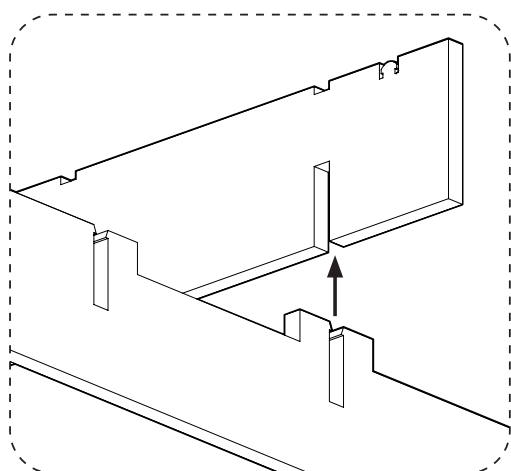
Installation using strut profiles.

4 Attach secondary baffles to the primary baffles.

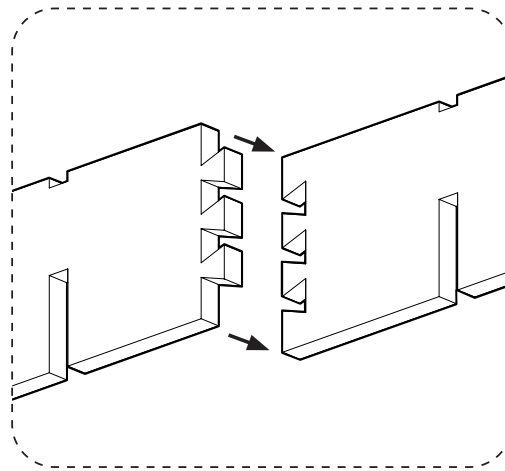
Push in the secondary baffle into the primary baffle as showed on figure 4.1 until it locks in place and no further movement is possible. The bottom edge of intersection panels should be flush. Join panels in the same row using dove tail connection as showed on figure 4.2. Proceed row by row until full assembly is completed as showed below.



4.1



4.2

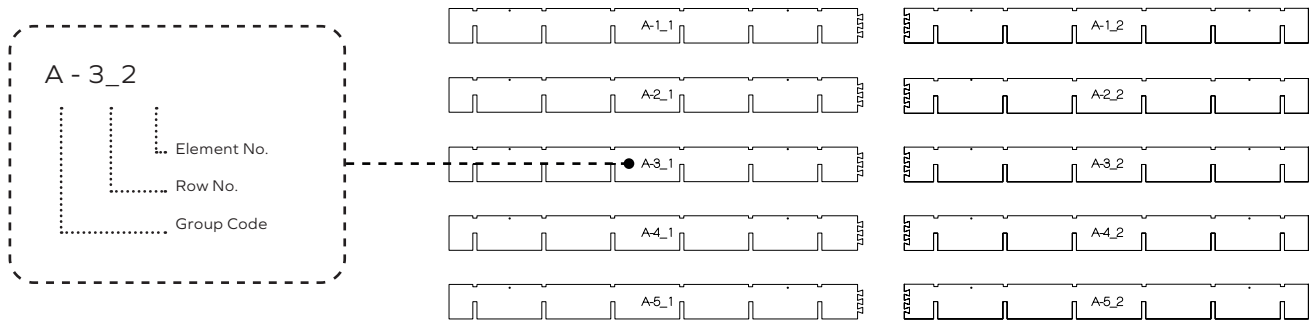


Bespoke Straight Grid Ceiling

Installation using cable grippers.

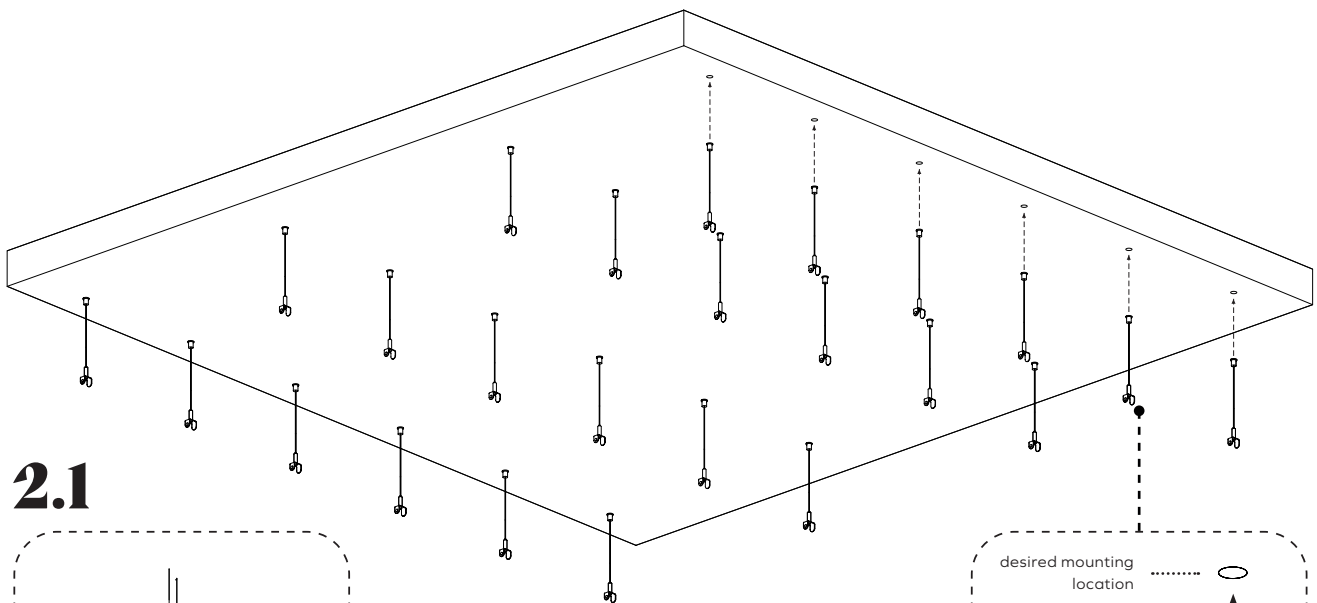
1 Verify and organize

Verify all delivered elements and organize them based on the included labeling of each part and the supplied drawings.

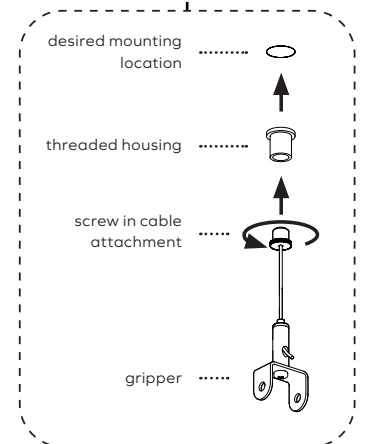
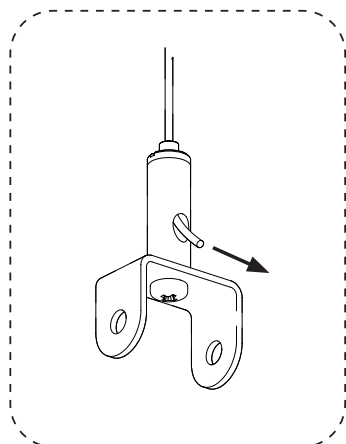


2 Install cable grippers *(installation hardware not included)*

Measure distances and attach cable grippers to the ceiling using preferred installation hardware (not included). Particular solution needs to be selected in accordance to mounting surface and composition of the ceiling. The length of the cable can be adjusted by pulling it through the gripper as showed on figure 2.1.



2.1

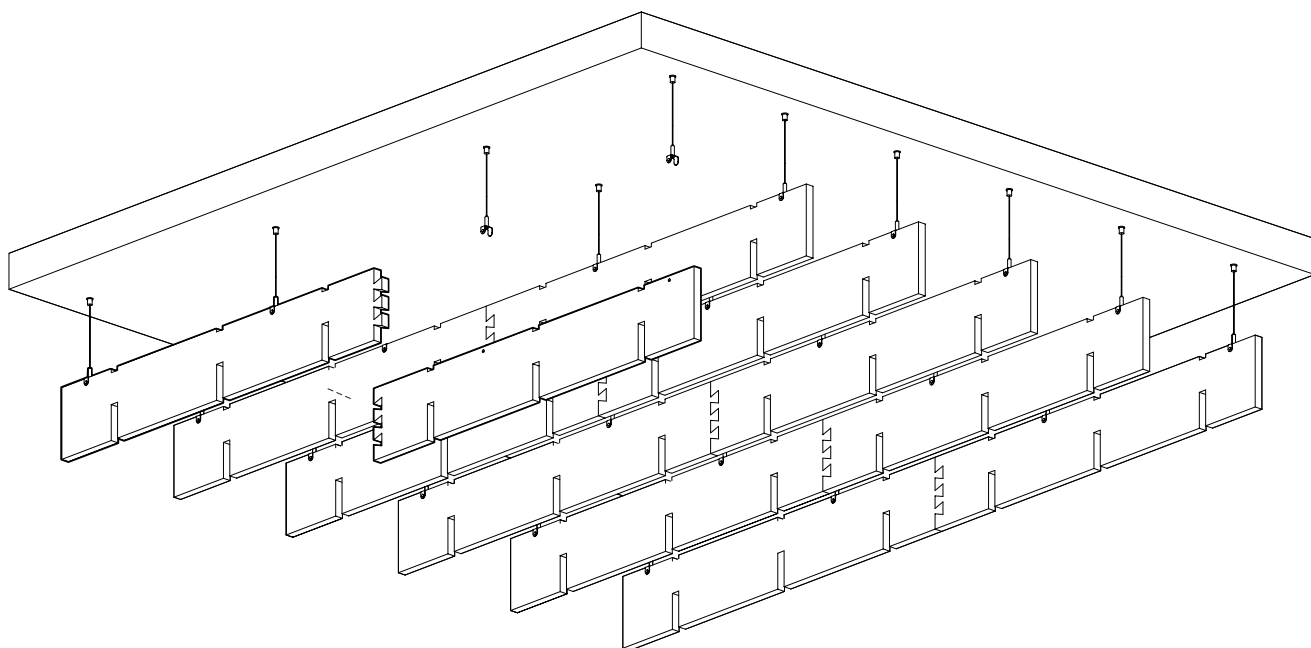


Bespoke Straight Grid Ceiling

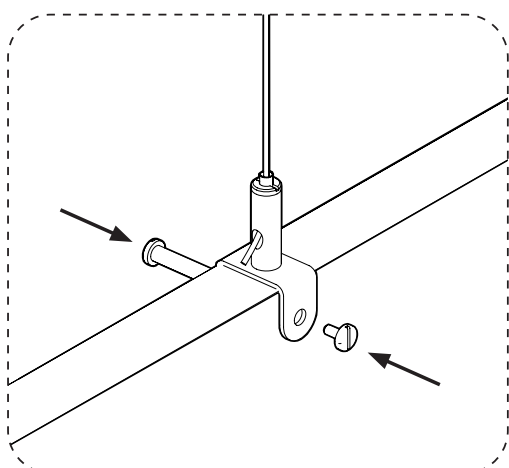
Installation using cable grippers.

3 Hang primary baffles using grippers.

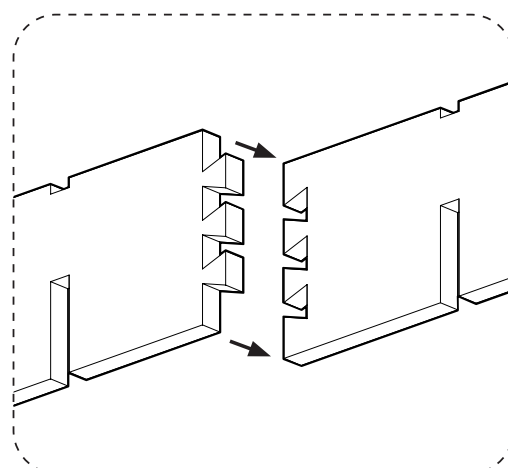
Hang the primary baffles using the grippers as showed on figure 3.1 using provided Chicago screws. Join panels in the same row using dove tail connection as showed on figure 3.2. Proceed row by row untill all primary baffles are in place.



3.1 Gripper connection.



3.2 Dove tail connection.

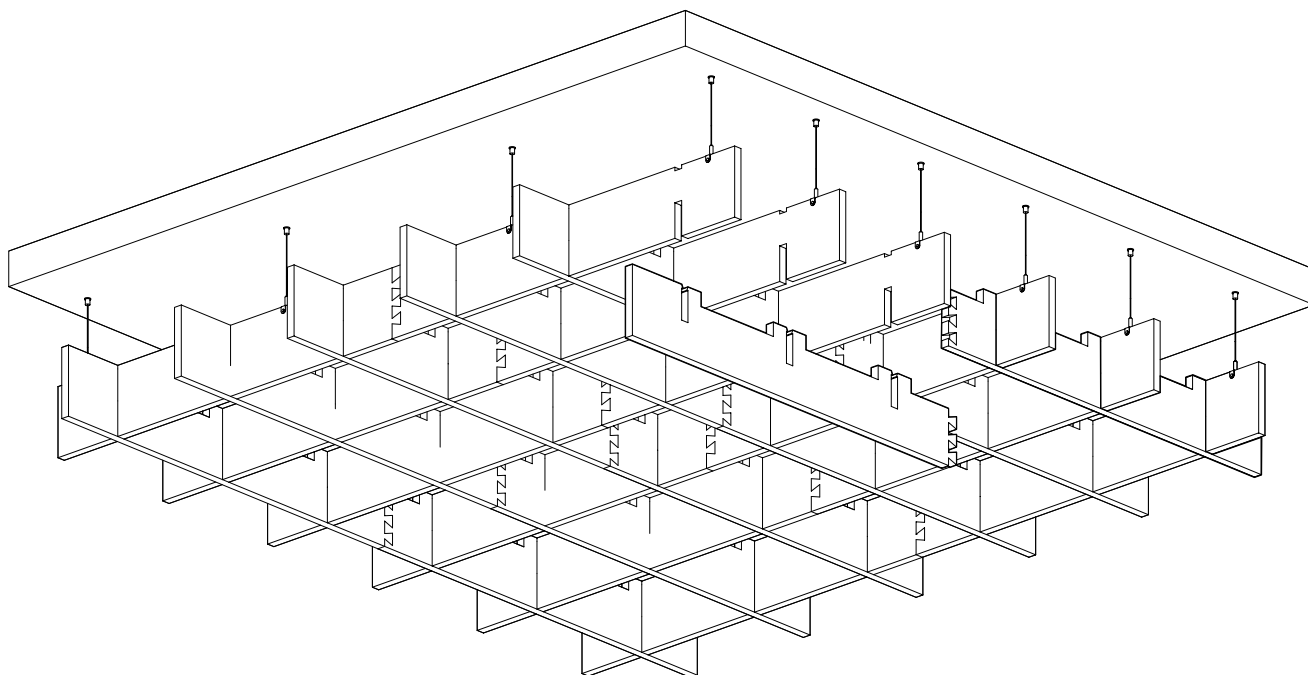


Bespoke Straight Grid Ceiling

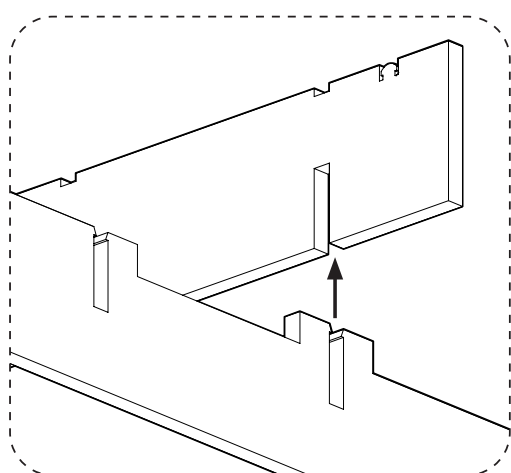
Installation using cable grippers.

4 Attach secondary baffles to the primary baffles.

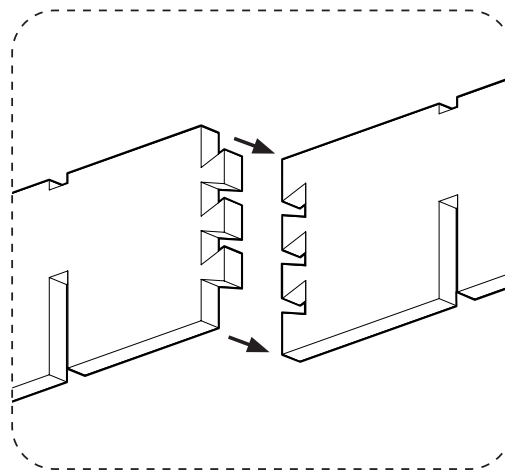
Push in the secondary baffle into the primary baffle as showed on figure 4.1 until it locks in place and no further movement is possible. The bottom edge of intersection panels should be flush. Join panels in the same row using dove tail connection as showed on figure 4.2. Proceed row by row until full assembly is completed as showed below.



4.1



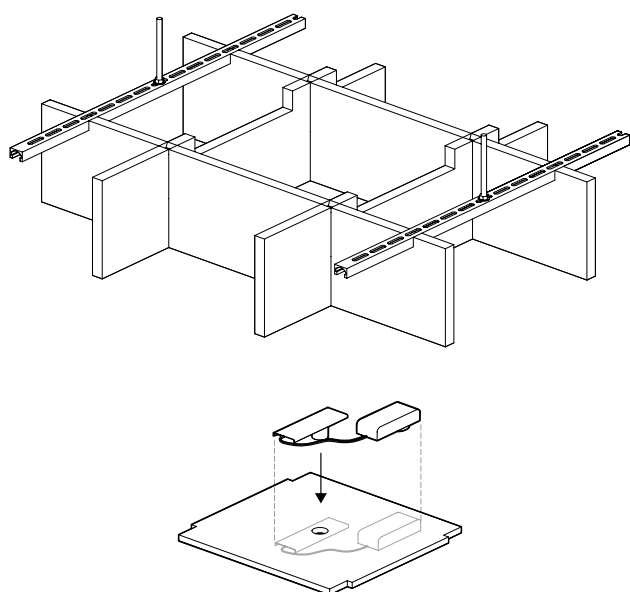
4.2



Bespoke Straight Grid Ceiling

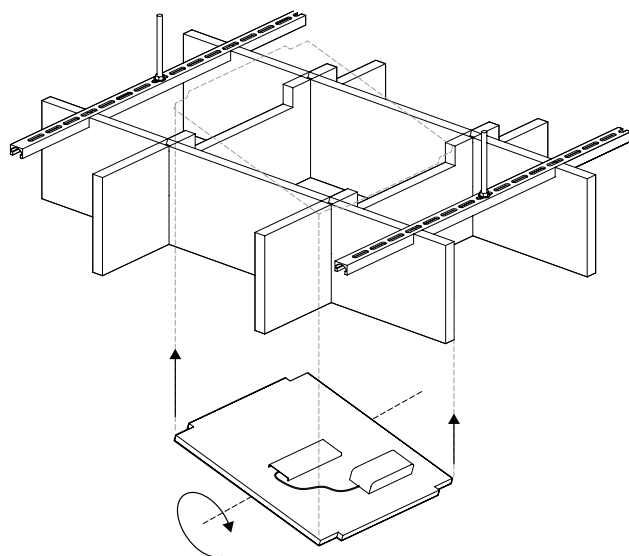
Infill Cell Installation.

1 Install LED light on the back of the panel*



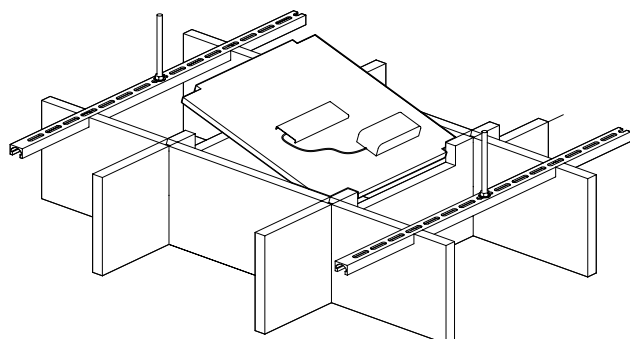
2 Rotate and insert

Rotate the Infill Cell panels slightly and push through the open Grid Cell from the bottom if access from the top is not possible.

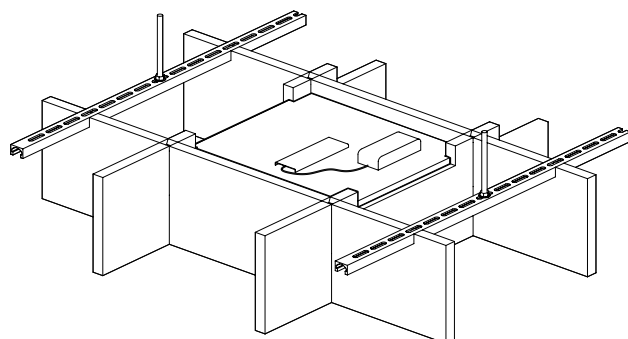


3 Position the infill panel in place

The Infill Cell should match perfectly the grid position. Make sure the panel is horizontal and fully supported by cutouts in a Grid structure.



4 Connect LED Driver module to the AC source



* For Infill Cells without light follow only steps 2-3.

Bespoke Straight Grid Ceiling

Additional Information

Online Resources

A variety of resources are available online for all of our products. Please visit the product's page for more information.



CAD files



Spec sheets and
Installation Guide



Color families



Instruction
videos



Associated
products specs.

Ordering Process

Our experienced team of Project Consultants will guide and support you throughout the order process. We fulfill the majority of our orders in as little as 21 days¹ from your first point of contact, allowing you to focus on what truly matters to you.



Contact our
consultant

Quote¹

48h



Order Confirmation

Production¹

14-21 days



Dispatch

Transit

location based



Delivery

Contact Us

Ready to make an impact? We are just an email or call away to discuss your project and answer any question.



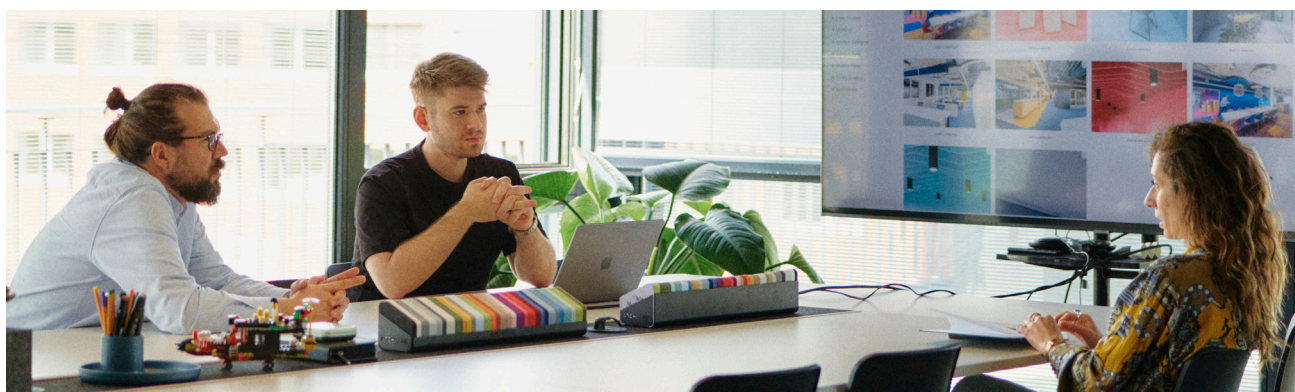
+41 41 566 55 55



connect@impactacoustic.com



Online form



¹ - Quote and Production times may vary.

IMPACT ACOUSTIC®
Bespoke Grid Ceiling rev.01 - 20.11.23

(Switzerland)
(USA)
(Philippines)

connect@impactacoustic.com
usa@impactacoustic.com
philippines@impactacoustic.com

(+41) 41 566 55 55
(+1) 646 918 1581
(+63) 285 80 02 50

#WeMakeAnImpact

**#We
Make An
Impact**

connect@impactacoustic.com | www.impactacoustic.com