

# BUSTER + PUNCH

LONDON

[ product. ]

## AIR SWITCH KIT

[ type. **AIR SWITCH KIT.** ]

[ use with. **BUSTER + PUNCH FAUCETS & MIXERS.** ]

[ born. **LONDON.** ]

An Air Switch Kit with cast metal detailing to match your Buster + Punch Kitchen Faucet. Use it to activate your garbage disposal unit. Available in steel, brass, gun metal and welders black finishes, it combines seamlessly with our Faucet Mixer collection and Air Gap Kit to complete your B+P kitchen.

The Buster + Punch Air Switch Kit includes everything you need to install and operate the switch. A dual outlet adapter is also included for extra convenience.



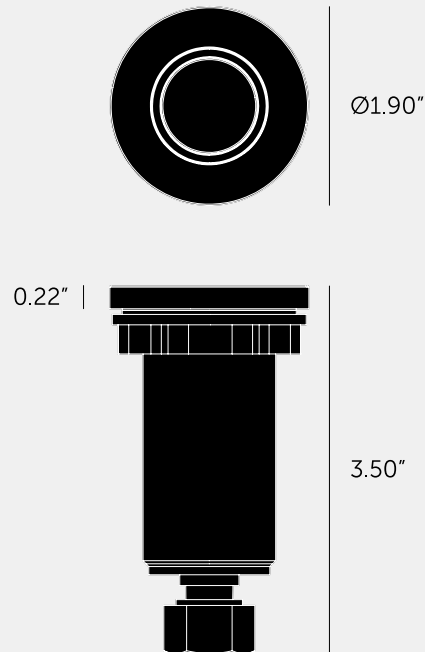
---

[ type. **AIR SWITCH KIT.** ]

---

[ info. **MEASUREMENTS.** ]

---



---

[ info. **SPECIFICATIONS.** ]

---

A dual socket adapter is included along with cast metal detailed push button for a complete set. Designed for USA and Canada. Suitable for interior only.

Maximum thickness of counter top is **1-15/16"**.

Required hole diameter is **1-3/8" D.**

---

[ info. **FINISH & SKU NUMBERS.** ]

---

[ finish. ] [ US & CANADA. ]

 Steel	NKT-074058
 Brass	NKT-054057
 Gun Metal	NKT-354059
 Welders Black	NKT-024060

---

[ info. **CARE INSTRUCTIONS.** ]

---

Wipe with damp cloth with no loose hairs, avoid using any chemicals. All finishes are prone to aging.

---

[ info. **INCLUDED.** ]

---

**1 x Air Switch**

1 x Dual Outlet Adapter

1 x Flexible Pipe

1 x Instructions Manual

1 x Fixing Kit

---

[ please. **NOTE.** ]

---

**DISCLAIMER:** Always consult a trade professional when installing this component. Buster + Punch is not responsible for the usage or feasibility of installation requirements.