

Audo

COPENHAGEN



TEAROOM SOFA
Designed by *Nick Ross*

TEAROOM SOFA
Designed by *Nick Ross*

Upholstered sofa with Black MDF base.



PRODUCT OPTIONS

Seat



WITH UPHOLSTERY

Spec options

Available in fabrics from our upholstery programme.
Standard lead times apply.

For custom upholstery, please refer to the guiding
textile/leather consumption:
COM: 4,6 m / 5,06 yds

Prices excl. custom upholstery are equal to *Price Category 1
Textile or Leather*. Contact Sales support for approval of custom
upholstery and to place your order.

The above textile consumption is only valid for textile rolls with a width equal to
or greater than 140 cm. For smaller textile rolls, please contact Sales Support for
guidance. For textile with pattern, please expect a higher usage for correct pattern
fitting. Please contact Sales Support for guidance.

TECHNICAL SPECIFICATIONS

PRODUCT TYPE
Sofa

COLLI
1

ENVIRONMENT
Indoor

DIMENSIONS
H: 78 cm / 30,7"
SH: 43 cm / 17"
W: 190 cm / 74,8"
D: 70 cm / 27,6"

PRODUCTION PROCESS
The sofa is constructed with a structural
frame made of plywood. The seat consists
of layered foam (5 layers) in different
hardness with webbing/belts and no-sag
springs underneath. Back and armrests
consist of a double foam layer with front
part reinforced with foam flex. The base is
made of painted MDF.

COLOUR
Seat
Dependent upon selected upholstery

Base
Black (RAL 9005)

GLOSS
Gloss 10-15

MATERIALS
Plywood, HR foam, available with CAL117
and CMHR construction, webbing / belts,
no sag springs, foam flex and textile.

WEIGHT
28 kg / 61,7"

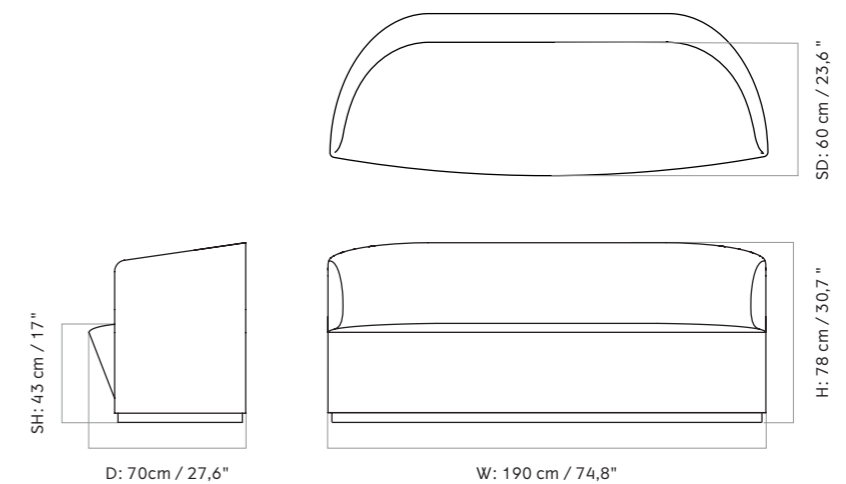
TEST
N / A

CERTIFICATIONS
TSCA title IV compliant

PACKAGING TYPE
Brown box

PACKAGING MEASUREMENTS
(H × W × D)
80 cm × 192 cm × 72 cm /
31,5" × 75,6" × 28,3"

MATERIALS & MAINTENANCE
Please visit audocph.com for materials, care
and maintenance instructions.



TEAROOM SOFA, HIGH BACK
Designed by *Nick Ross*

The high back version of the Tearoom Sofa offers moments of quiet contemplation in busy spaces. Expressive and elegant, the secluded, foam-filled furniture piece rests on a wooden base for a natural contrast to the upholstered seat.

PRODUCT OPTIONS

Seat



WITH UPHOLSTERY

Spec options

Available in fabrics from our upholstery programme. Standard lead times apply.

For custom upholstery, please refer to the guiding textile/leather consumption:
COM: 7,4 m / 8,14 yds

Prices excl. custom upholstery are equal to *Price Category 1 Textile* or *Leather*. Contact Sales support for approval of custom upholstery and to place your order.

The above textile consumption is only valid for textile rolls with a width equal to or greater than 140 cm. For smaller textile rolls, please contact Sales Support for guidance. For textile with pattern, please expect a higher usage for correct pattern fitting. Please contact Sales Support for guidance.

PRODUCT TYPE
Sofa

COLLI
1

ENVIRONMENT
Indoor

DIMENSIONS
H: 120 cm / 47,24"
SH: 43 cm / 17"
W: 190 cm / 74,8"
D: 70 cm / 27,5"

PRODUCTION PROCESS
The sofa is constructed with a structural frame made of plywood. The seat consists of layered foam (5 layers) in different hardness with webbing/belts underneath. Back and armrests consist of a double foam layer with front part reinforced with foam flex. The base is made of painted MDF.

TECHNICAL SPECIFICATIONS

COLOUR
Seat
Dependent upon selected upholstery

Base
Black (RAL 9005)

GLOSS
Gloss 10-15

MATERIALS
Plywood, HR Foam construction, webbing/belts, foam flex and upholstery

WEIGHT
54 kg / 119,05 lb

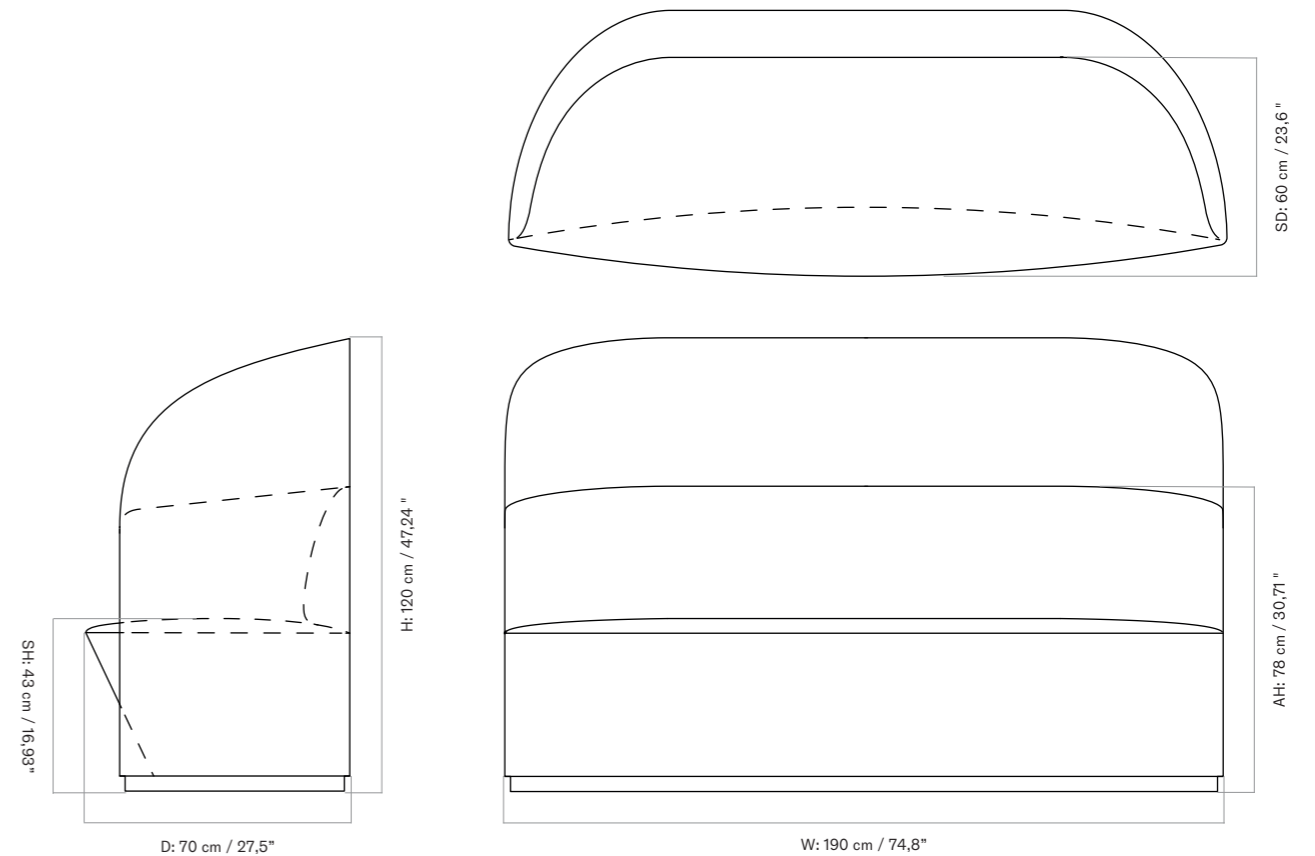
TEST
N / A

CERTIFICATIONS
TSCA title IV compliant

PACKAGING TYPE
Brown box

PACKAGING MEASUREMENTS
(H × W × D)
127 cm × 195 cm × 75 cm /
50" × 76,77" × 29,53"

MATERIALS & MAINTENANCE
Please visit audocph.com for materials, care and maintenance instructions.



TEAROOM SOFA, HIGH BACK W/POWER OUTLET
Designed by *Nick Ross*

The high back version of the Tearoom Sofa offers moments of quiet contemplation in busy spaces. Expressive and elegant, the secluded, foam-filled furniture piece rests on a wooden base for a natural contrast to the upholstered seat. The addition of a USB-C port and power socket at the base makes it a practical spot for work as well as play.

PRODUCT OPTIONS

Seat



WITH UPHOLSTERY

Spec options

Available in fabrics from our upholstery programme. Standard lead times apply.

For custom upholstery, please refer to the guiding textile/leather consumption:
COM: 7,4 m / 8,14 yds

Prices excl. custom upholstery are equal to *Price Category 1 Textile* or *Leather*. Contact Sales support for approval of custom upholstery and to place your order.

The above textile consumption is only valid for textile rolls with a width equal to or greater than 140 cm. For smaller textile rolls, please contact Sales Support for guidance. For textile with pattern, please expect a higher usage for correct pattern fitting. Please contact Sales Support for guidance.

PRODUCT TYPE
Sofa

COLLI
1

ENVIRONMENT
Indoor

DIMENSIONS
H: 120 cm / 47,24"
SH: 43 cm / 17"
W: 190 cm / 74,8"
D: 70 cm / 27,5"

PRODUCTION PROCESS
The sofa is constructed with a structural frame made of plywood. The seat consists of layered foam (5 layers) in different hardness with webbing/belts underneath. Back and armrests consist of a double foam layer with front part reinforced with foam flex. The base is made of painted MDF.

TECHNICAL SPECIFICATIONS

COLOUR
Seat
Dependent upon selected upholstery

Base
Black (RAL 9005)

GLOSS
Gloss 10-15

MATERIALS
Plywood, HR Foam construction, webbing/belts, foam flex and upholstery

WEIGHT
54 kg / 119,05 lb

CORD LENGHT
350 cm / 137,79"

TEST
N / A

CERTIFICATIONS
TSCA title IV compliant

PACKAGING TYPE
Brown box

PACKAGING MEASUREMENTS
(H x W x D)
127 cm x 195 cm x 75 cm /
50" x 76,77" x 29,53"

MATERIALS & MAINTENANCE
Please visit audocph.com for materials, care and maintenance instructions.

