

Audo

COPENHAGEN

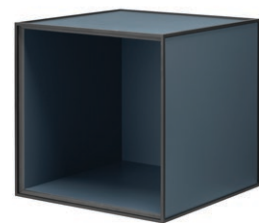


FRAME 35
Designed by *Søren Lassen*



FRAME 35
Designed by *Søren Lassen*

The Frame collection is a flexible storage solution that is inspired by the Kubus candleholder by Mogens Lassen, based on strict mathematical formulas and designed with the greatest precision. The various Frame modules come in different colours and sizes, which can be combined into a classic bookcase, a nightstand, a room divider or something else entirely. The possible combinations are endless.



PRODUCT OPTIONS

Material



DARK GREY

LIGHT GREY

FJORD

SAND

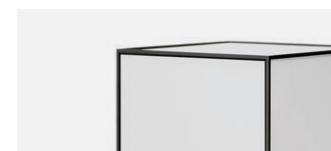
WHITE

OAK

BLACK STAINED ASH

SMOKED OAK

Frame



BLACK ALUMINIUM

PRODUCT TYPE
Storage system

COLLI
1

ENVIRONMENT
Indoor

DIMENSIONS
H: 35 cm / 13,8"
W: 35 cm / 13,8"
D: 35 cm / 13,8"

PRODUCTION PROCESS
The frame is made from 6mm aluminum profiles that are mounted with zinc casted corners. Afterwards the frame is grinded to obtain a smooth finish before the frame is powder coated. The plates are made from a MDF core with a melamine or veneer surface.

TECHNICAL SPECIFICATIONS

COLOURS

Material
Dark Grey
Light Grey
Fjord
Sand
White
Oak
Black Stained Ash
Smoked Oak

Frame
Black (RAL 9005)

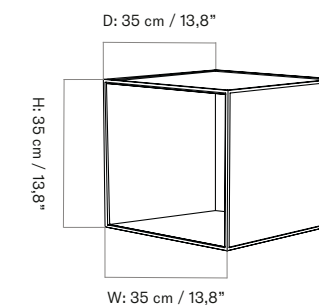
MATERIALS
Aluminium, MDF with melamine or ash/
oak veneer

WEIGHT
9,462 kg / 20,86 lb

PACKAGING TYPE
Brown box

PACKAGING MEASUREMENTS
(H x W x D)
42,5 cm x 42 cm x 41,5 cm /
16,7" x 16,5" x 16,3"

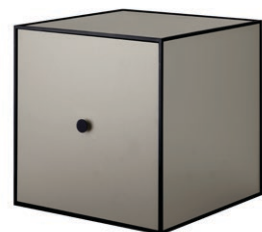
MATERIALS & MAINTENANCE
Please visit audocph.com for materials, care
and maintenance instructions.





FRAME 35 WITH DOOR
Designed by *Søren Lassen*

The Frame collection is a flexible storage solution that is inspired by the Kubus candleholder by Mogens Lassen, based on strict mathematical formulas and designed with the greatest precision. The various Frame modules come in different colours and sizes, which can be combined into a classic bookcase, a nightstand, a room divider or something else entirely. The possible combinations are endless.



PRODUCT OPTIONS

Material



DARK GREY

LIGHT GREY



FJORD

SAND



WHITE

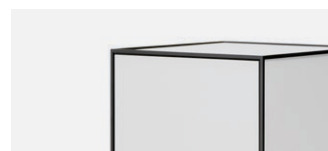
OAK



BLACK STAINED ASH

SMOKED OAK

Frame



BLACK ALUMINIUM

PRODUCT TYPE

Storage system

COLLI

1

ENVIRONMENT

Indoor

DIMENSIONS

H: 35 cm / 13,8"

W: 35 cm / 13,8"

D: 35 cm / 13,8"

PRODUCTION PROCESS

The frame is made from 6mm aluminum profiles that are mounted with zinc casted corners. Afterwards the frame is grinded to obtain a smooth finish before the frame is powder coated. The plates are made from a MDF core with a melamine or veneer surface. The mounting and handle are made from aluminum with powder coated black finish. The mounting has a soft close function.

TECHNICAL SPECIFICATIONS

COLOURS

Material

Dark Grey

Light Grey

Fjord

Sand

White

Oak

Black Stained Ash

Smoked Oak

Frame

Black (RAL 9005)

MATERIALS

Aluminium, MDF with melamine or ash/oak veneer

WEIGHT

9,462 kg / 20,86 lb

PACKAGING TYPE

Brown box

PACKAGING MEASUREMENTS

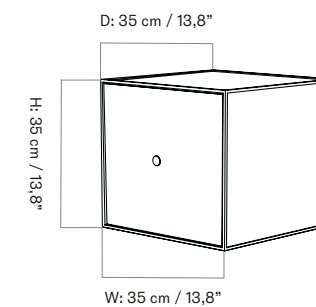
(H × W × D)

42,5 cm × 42 cm × 41,5 cm /

16,7" × 16,5" × 16,3"

MATERIALS & MAINTENANCE

Please visit audocph.com for materials, care and maintenance instructions.





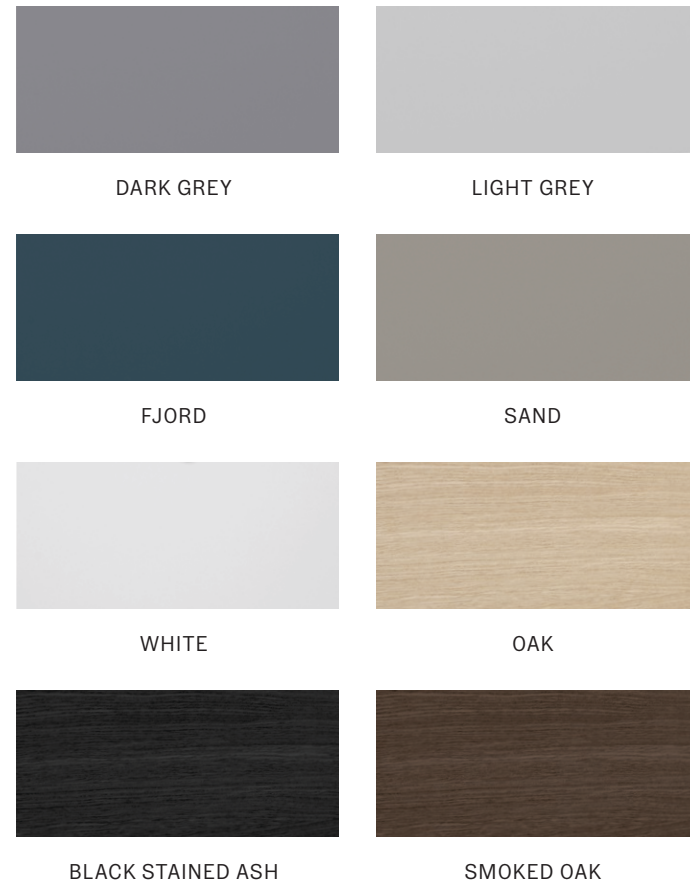
FRAME 35 WITH ONE DRAWER
Designed by *Søren Lassen*

Frame 35 with one drawer is a flexible storage solution consisting of a square module in a cubistic frame. The simple storage system is inspired by the Kubus candleholder by Mogens Lassen, based on strict mathematical formulas and designed with the greatest precision. Frame with one drawer is available in two sizes: 35 and 49, for use in countless contexts. Combine the Frame modules to create a classic bookcase, a nightstand, a room divider or something else entirely. The possible combinations are endless. The Frame modules are available with or without doors, shelves and Drawers, making sure that you can design the perfect storage solution to match your needs for organisation and storage. This variant is a Frame 35 module with one drawer, featuring a soft-close system and hidden tracks.



PRODUCT OPTIONS

Material



DARK GREY

LIGHT GREY

FJORD

SAND

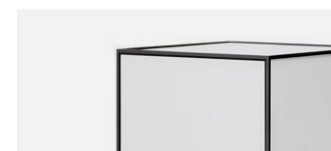
WHITE

OAK

BLACK STAINED ASH

SMOKED OAK

Frame



BLACK ALUMINIUM

PRODUCT TYPE
Storage system

COLLI
1

ENVIRONMENT
Indoor

DIMENSIONS
H: 35 cm / 13,8"
W: 35 cm / 13,8"
D: 35 cm / 13,8"

PRODUCTION PROCESS
The frame is made from 6mm aluminum profiles that are mounted with zinc casted corners. Afterwards the frame is grinded to obtain a smooth finish before the frame is powder coated. The plates are made from a MDF core with a melamine or veneer surface.

TECHNICAL SPECIFICATIONS

COLOURS

Material
Dark Grey
Light Grey
Fjord
Sand
White
Oak
Black Stained Ash
Smoked Oak

Frame
Black (RAL 9005)

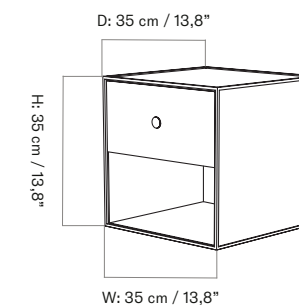
MATERIALS
Aluminium, MDF with melamine or ash/
oak veneer

WEIGHT
9,462 kg / 20,86 lb

PACKAGING TYPE
Brown box

PACKAGING MEASUREMENTS
(H x W x D)
42,5 cm x 42 cm x 41,5 cm /
16,7" x 16,5" x 16,3"

MATERIALS & MAINTENANCE
Please visit audocph.com for materials, care
and maintenance instructions.





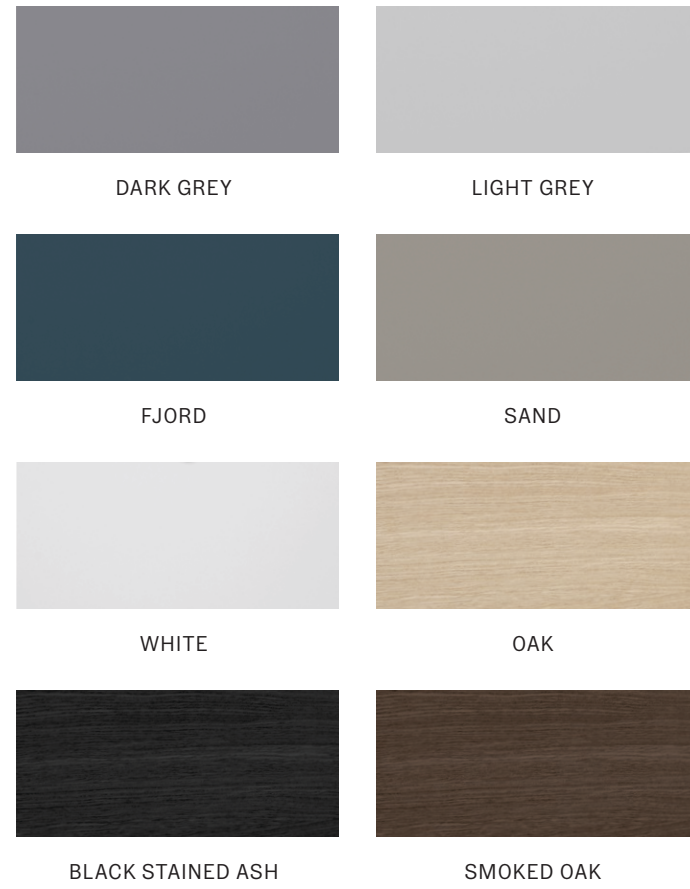
FRAME 35 WITH TWO DRAWERS
Designed by *Søren Lassen*

Frame 35 with two Drawers is a flexible storage solution consisting of a square module in a cubistic frame. The simple storage system is inspired by the Kubus candleholder by Mogens Lassen, based on strict mathematical formulas and designed with the greatest precision. Frame is available in many variants for use in countless contexts. The Frame modules can be hung directly on the wall or stand on their own on the floor. Combine the Frame modules to create a classic bookcase, a nightstand, a room divider or something else entirely. The possible combinations are endless. The Frame modules are available with or without doors, shelves and Drawers, making sure that you can design the perfect storage solution to match your needs for organisation and storage. This variant is a Frame 35 module with two Drawers, featuring a soft-close system and hidden tracks.



PRODUCT OPTIONS

Material



DARK GREY

LIGHT GREY

FJORD

SAND

WHITE

OAK

BLACK STAINED ASH

SMOKED OAK

Frame



BLACK ALUMINIUM

PRODUCT TYPE
Storage system

COLLI
1

ENVIRONMENT
Indoor

DIMENSIONS
H: 35 cm / 13,8"
W: 35 cm / 13,8"
D: 35 cm / 13,8"

PRODUCTION PROCESS

The frame is made from 6mm aluminum profiles that are mounted with zinc casted corners. Afterwards the frame is grinded to obtain a smooth finish before the frame is powder coated. The plates are made from a MDF core with a melamine or veneer surface. The drawer is made from plywood and covered with black foil. The bottom is made from black painted MDF. The tracks are made from steel and has a soft-close system. The handles are made from aluminum with powder coated black finish.

TECHNICAL SPECIFICATIONS

COLOURS

Material

Dark Grey
Light Grey
Fjord
Sand
White
Oak
Black Stained Ash
Smoked Oak

Frame

Black (RAL 9005)

MATERIALS

Aluminium, MDF with melamine or ash/oak veneer

WEIGHT

9,462 kg / 20,86 lb

PACKAGING TYPE

Brown box

PACKAGING MEASUREMENTS

(H x W x D)
42,5 cm x 42 cm x 41,5 cm /
16,7" x 16,5" x 16,3"

MATERIALS & MAINTENANCE

Please visit audocph.com for materials, care and maintenance instructions.

