

[product.]

UK PLUG SOCKETS / 1G AND 2G

[detail. **COIN SCREWS.**]

[range. **ELECTICITY.**]

[region. **ROW.**]

[born. **LONDON.**]

A UK plug socket made from solid metal and finished to match our toggle switches, dimmers and euro plates.



[finish. **BRASS.**]



[finish. **WHITE.**]



[finish. **SMOKED BRONZE.**]



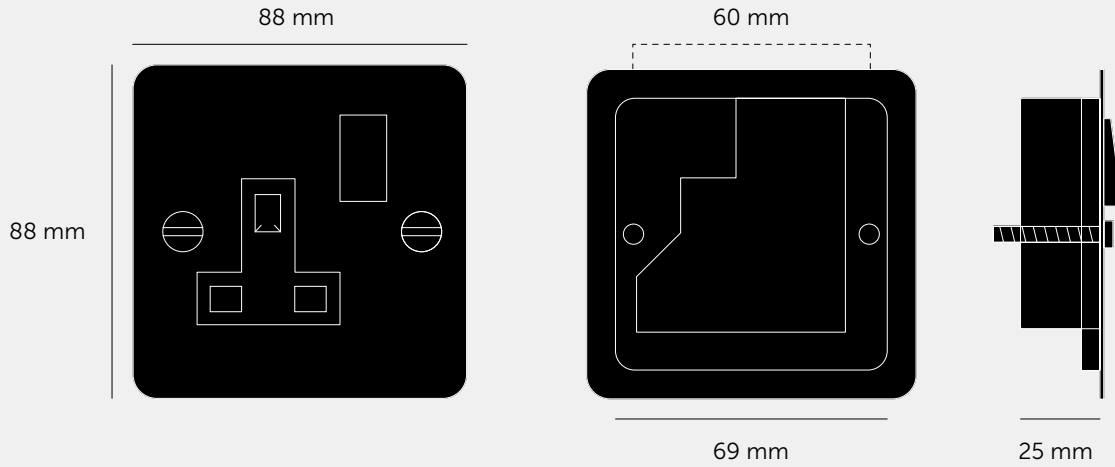
[finish. **BLACK.**]



[finish. **STEEL.**]

[type. **1G PLUG SOCKETS.**]

[info. **MEASUREMENTS.**]



[info. **SPECIFICATIONS.**]

Single socket.
13AMP switched.
CE-tested for use throughout Europe.

[info. **FINISH & SKU NUMBERS.**]

[finish.]	[UK.]
● White	UK-SO-CO-1G-WH-A
● Steel	UK-SO-CO-1G-ST-A
● Brass	UK-SO-CO-1G-BR-A
● Smoked Bronze	UK-SO-CO-1G-SM-A
● Black	UK-SO-CO-1G-BL-A

[info. **CARE INSTRUCTIONS.**]

Wipe clean with a dry, non-abrasive microfiber cloth. Avoid use of chemical cleaners. Please note that finishes may age naturally with time and regular use.

[info. **INCLUDED.**]

1 x SINGLE PLUG SOCKET

[info. **RECOMMENDED BACK BOX.**]

1G SQUARE BACK BOX - 47MM DEPTH

Can be supplied on request

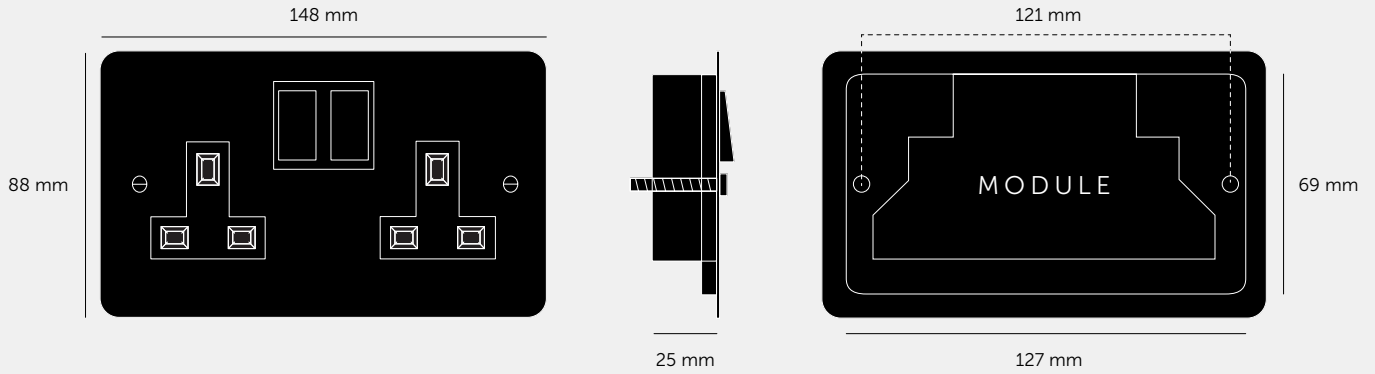
When installing our sockets, we recommend that backboxes are set back a minimum of 4mm from the finished wall surface. This is to ensure a flush install between the back of the socket plate and the finished wall.

[please. **NOTE.**]

DISCLAIMER: Always consult a trade professional when installing these Plug Sockets. Buster + Punch is not responsible for the usage or feasibility of installation requirements. This product is not suitable for damp or wet environments.

[type. **2G PLUG SOCKETS.**]

[info. **MEASUREMENTS.**]



[info. **SPECIFICATIONS.**]

Double socket
13AMP switched
CE-tested for use throughout Europe.

[info. **FINISH & SKU NUMBERS.**]

[finish.]	[UK.]
● White	UK-SO-CO-2G-WH-A
● Steel	UK-SO-CO-2G-ST-A
● Brass	UK-SO-CO-2G-BR-A
● Smoked Bronze	UK-SO-CO-2G-SM-A
● Black	UK-SO-CO-2G-BL-A

[info. **CARE INSTRUCTIONS.**]

Wipe clean with a dry, non-abrasive microfiber cloth. Avoid use of chemical cleaners. Please note that finishes may age naturally with time and regular use.

[info. **INCLUDED.**]

1 x DOUBLE PLUG SOCKET

[info. **RECOMMENDED BACK BOX.**]

2G SQUARE BACK BOX - 47MM DEPTH

Can be supplied on request

When installing our sockets, we recommend that backboxes are set back a minimum of 4mm from the finished wall surface. This is to ensure a flush install between the back of the socket plate and the finished wall.

[please. **NOTE.**]

DISCLAIMER: Always consult a trade professional when installing these 2G Plug Sockets. Buster + Punch is not responsible for the usage or feasibility of installation requirements. This product is not suitable for damp or wet environments.

[type. **PLUG SOCKET.**]

[info. **FAQ SHEET.**]

CATEGORY	QUESTION	ANSWER
GENERAL	How do I clean my electricity collection?	A slight damp microfiber cloth is best, never use any chemicals as this will damaged the metal surface.
BACK BOXES	What size back boxes do you recommend?	1G: W 70mm x H 70mm x D 47mm, square back box 2G: W 140mm x H 70mm x D 47mm, square back box Back boxes can be supplied on request. When installing our sockets, we recommend that backboxes are set back a minimum of 4mm from the finished wall surface. This is to ensure a flush install between the back of the socket plate and the finished wall.

WEEE DIRECTIVE

Regulations require the recycling of waste from Electrical and Electronic Equipment (European 'WEEE Directive' effective August 2005 - **UK WEEE** regulations effective 2nd January 2007).

Environment Agency Registered Producer: **WEE/MM5108AA**

When your product comes to the end of its life or you choose to replace it, please recycle it where facilities exist.

DO NOT DISPOSE WITH HOUSEHOLD WASTE.