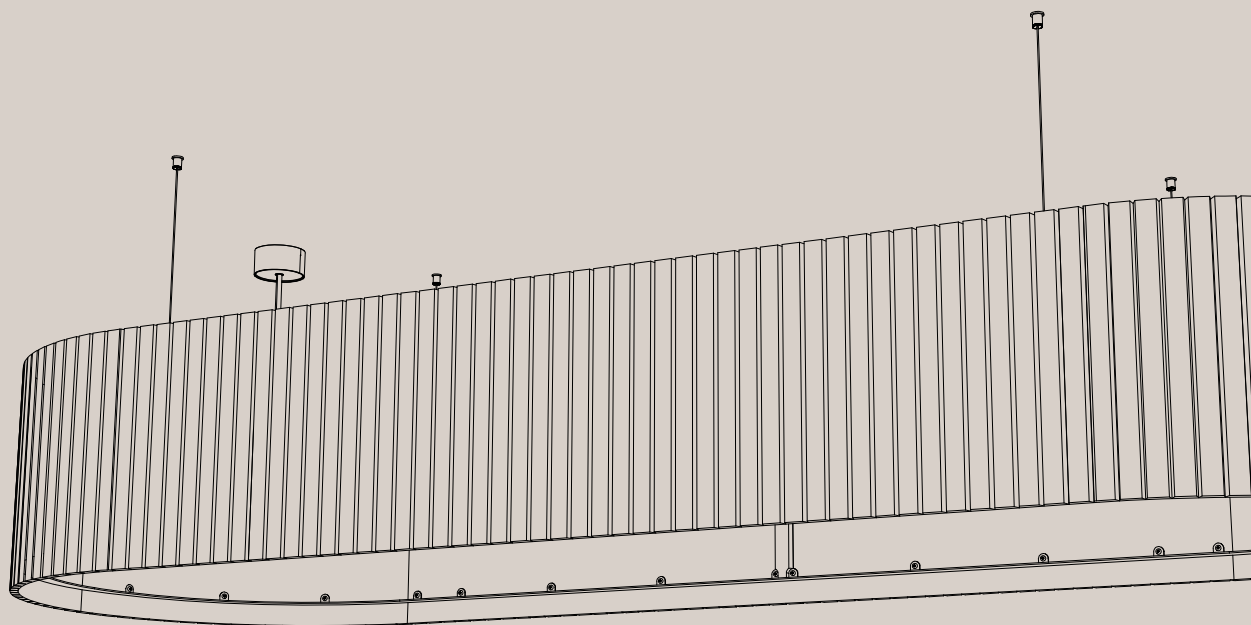


IMPACT ACOUSTIC®



# Umbra Long

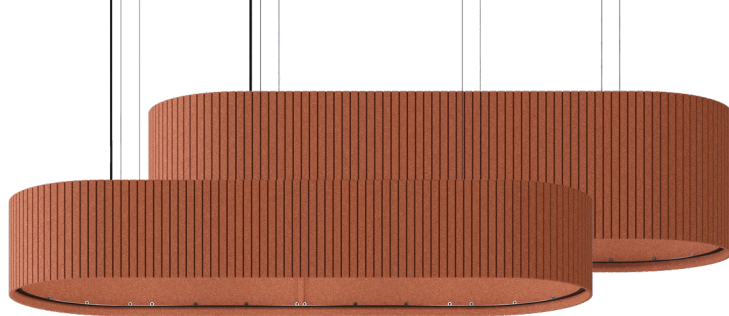
## Acoustic Lighting

722.24.12.000.00  
722.24.13.000.00

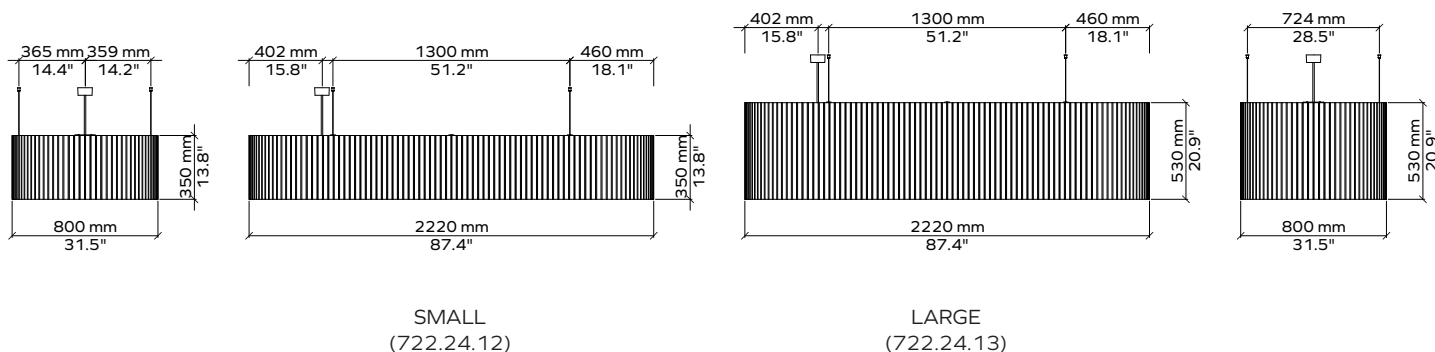
TECHNICAL DATA SHEET

# Umbra Long

## Acoustic Lighting



### PRODUCT DIMENSIONS



### ARTICLE NUMBERS

| Lighting Product | Product Size             | Color code                     | CCT        | North American Market   |
|------------------|--------------------------|--------------------------------|------------|---|
| 722.24.          | 12 (Small)<br>13 (Large) | Choose color as shown on pg. 3 | 27 (2700K) | Add an A at the end of the CCT code to indicate this product is for North America |
|                  |                          |                                | 30 (3000K) |   |
|                  |                          |                                | 35 (3500K) |   |
|                  |                          |                                | 40 (4000K) |   |

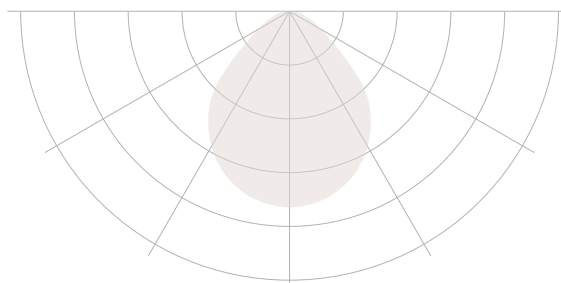
#### Example: 723.12.12.706.35A

Umbra L Small [(1550 x 135mm/61.22 x 5.31", Spearmint 706 color, 3500K CCT, 110-277V (North America)]

### LIGHTING SPECIFICATIONS

|                         | For both sizes        |
|-------------------------|-----------------------|
| Output                  | Direct                |
| Total Lumen Output (lm) | 2700                  |
| Wattage                 | 32                    |
| Efficacy (lm/W)         | 84                    |
| Diffuser                | Microprism            |
| Beam Angle              | 100                   |
| CCT                     | 2700-3000-3500-4000K  |
| CRI                     | 80+                   |
| MacAdam                 | 3                     |
| Voltage                 | 220 - 240 V / 120V    |
| Dimming                 | 0.1% DSI/DALI Dimming |
| Driver Location         | On-Board              |

### LIGHT DISTRIBUTION GRAPH



### CERTIFICATIONS



# ARCHISONIC®

## Colors

 Material brochure available



| Name       | Snow White | Milk     | Cloud    | Smoke       | Ground      | Charcoal | Slate    | Raven    |
|------------|------------|----------|----------|-------------|-------------|----------|----------|----------|
| Color Code | 500        | 404      | 103      | 442         | 108         | 542      | 444      | 550      |
| NCS Code   | S 0300-N   | S 0502-Y | S 1002-B | S 3005-R80B | S 5005-Y20R | S 7502-B | S 4500-N | S 8500-N |



| Name       | Nordic Pine | Grove       | Moss        | Spearmint   | Ice Blue | Succulent   | Deep Sea    | Marine Blue |
|------------|-------------|-------------|-------------|-------------|----------|-------------|-------------|-------------|
| Color Code | 311         | 317         | 439         | 706         | 304      | 712         | 918         | 864         |
| NCS Code   | S 5030-G10Y | S 7020-G30Y | S 2040-G40Y | S 1010-B90G | S 0510-B | S 3020-B30G | S 5020-R90B | S 4050-R70B |



| Name       | Linen       | Shell Pink  | Jute        | Warm Stone  | Terracotta  | Soft Coral  | Honeycomb   | Sunshine    |
|------------|-------------|-------------|-------------|-------------|-------------|-------------|-------------|-------------|
| Color Code | 107         | 102         | 920         | 105         | 239         | 516         | 139         | 846         |
| NCS Code   | S 1505-Y30R | S 0510-R30B | S 3010-Y30R | S 3010-Y50R | S 4040-Y70R | S 2020-Y90R | S 2050-Y20R | S 1040-Y10R |



| Name       | Garnet      | Hot Pink    | Poster Red | Electric Orange | Winter Sky  | Pacific Ocean | Midnight    | Grape       |
|------------|-------------|-------------|------------|-----------------|-------------|---------------|-------------|-------------|
| Color Code | 724         | 140         | 662        | 464             | 311         | 432           | 810         | 540         |
| NCS Code   | S 5040-R10B | S 2060-R20B | S 1080-R   | S 0580-Y70R     | S 5030-G10Y | S 3040-B      | S 7020-R70B | S 5040-R40B |

These NCS codes are the closest visual match available and may not be exact to blended fibres.

**ARCHISONIC®**

## Colors

Experience our ARCHISONIC® Felt material with a stunning selection of 32 colors across 8 distinct families, thoughtfully curated by *Colour Hive* in London. Effortlessly combine colors harmoniously to suit your preferences. Discover more in our Materials brochure and order your free sample box today.

## Color fastness

Class 6

ISO 105-B02:A1

## Order a free sample box



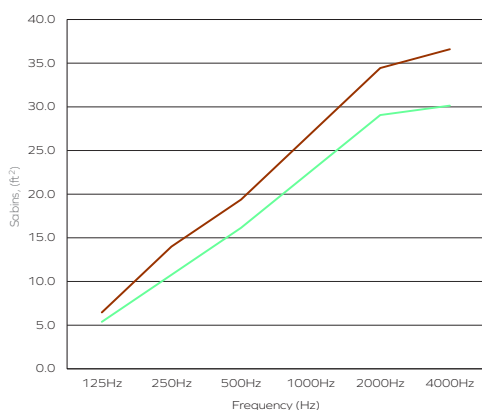
# Umbra Long

## Acoustic Performance



### Testing Standards

|                |   |
|----------------|---|
| ISO 354:2003   | Acoustics — Measurement of sound absorption in a reverberation room   |
| ISO 11654:1997 | Acoustics — Sound absorbers for use in buildings — Rating of sound absorption   |
| ISO 20189:2018 | Acoustics — Screens, furniture and single objects intended for interior use — Rating of sound absorption and sound reduction of elements based on laboratory measurements |
| ASTM C423-17   | Standard Test Method for Sound Absorption and Sound Absorption Coefficients by the Reverberation Room Method  |
| ASTM E795-16   | Standard Practices for Mounting Test Specimens During Sound Absorption Tests  |

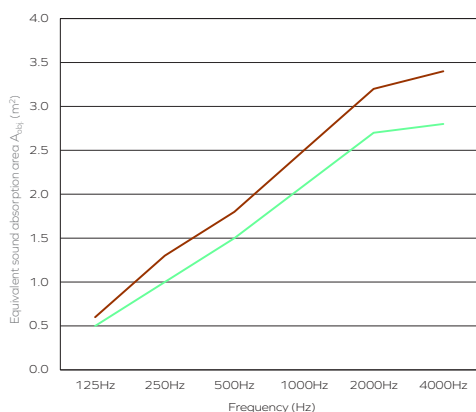


### Acoustic Performance - ASTM Sabins, ft<sup>2</sup>

| Frequency (Hz)          | 125  | 250   | 500   | 1000  | 2000  | 4000  |
|-------------------------|------|-------|-------|-------|-------|-------|
| 24mm Umbra Long (Small) | 5.38 | 10.76 | 16.15 | 22.60 | 29.06 | 30.14 |
| 24mm Umbra Long (Large) | 6.46 | 13.99 | 19.38 | 26.91 | 34.44 | 36.60 |

The graph represents the Sabins (ft<sup>2</sup>) in the third octave band center frequencies. Measurement used Pink Noise as excitation signal in a reverberant room.

- 24mm Umbra Long (Small)
- 24mm Umbra Long (Large)



### Acoustic Performance - ISO A<sub>obj</sub>, m<sup>2</sup>

| Frequency (Hz)          | 125  | 250  | 500  | 1000 | 2000 | 4000 |
|-------------------------|------|------|------|------|------|------|
| 24mm Umbra Long (Small) | 0.50 | 1.00 | 1.50 | 2.10 | 2.70 | 2.80 |
| 24mm Umbra Long (Large) | 0.60 | 1.30 | 1.80 | 2.50 | 3.20 | 3.40 |

The graph represents the equivalent sound absorption per object (A<sub>obj</sub>) in the third octave band center frequencies. Measurement used Pink Noise as excitation signal in a reverberant room.

- 24mm Umbra Long (Small)
- 24mm Umbra Long (Large)

# ARCHISONIC® Felt

## Material Specification

|                              |   |   |
|------------------------------|---|---|
| <b>Product Name</b>          | Archisonic® Felt  |   |
| <b>Content</b>               | 100% PET (60% certified post-consumer content)  |   |
| <b>Thickness<sup>1</sup></b> | 12mm (0.47")  | 24mm (0.94")                                      |
| <b>Max. Size</b>             | 1200x2800mm (47"x110")  | 1800x2400mm (70"x94")                             |
| <b>Acoustic<sup>2</sup></b>  | <b>ASTM:</b> NRC=0.6 <b>ISO:</b> $\alpha_w$ =0.65   | <b>ASTM:</b> NRC=0.9 <b>ISO:</b> $\alpha_w$ =0.95 |
| <b>Density<sup>1</sup></b>   | 2400 g/m <sup>2</sup> (0.49 lbs/ sqft)  | 4000 g/m <sup>2</sup> (0.82 lbs/sqft)             |
| <b>Color Fastness</b>        | <b>Class 6</b> ISO 105-B02:A1   |   |
| <b>Color</b>                 | <b>32 colors</b> (see Archisonic® Felt Color page for more information)   |   |
| <b>Maintenance</b>           | For daily cleaning we recommend alcohol solution (75%), e.g. Pantasept. In case of contamination by dust or fluff, use feather duster or a regular vacuum cleaner. For heavy dirt, treat the material with hydrogen peroxide. |   |
| <b>Lead time<sup>3</sup></b> | 21 days   |   |
| <b>Fire Rating</b>           | DIN EN 13501-1: <b>B-s1, d0</b>   | ASTM E84 <b>Class A</b>                           |
| <b>VOC Emission</b>          | 28 Days French Regulation <b>A+</b> ASTM E84 <b>Pass</b><br>Bream® (International, UK, NL, SE, NOR) <b>Exemplary</b><br>CDPH (CDPH/EHLB/Standard Method V1.2) <b>Pass</b>   |   |
| <b>Certifications</b>        | Declare label, Cradle to Cradle, UL Environmental Product Declaration, Member of US Green Building Council, Ecobau 1st Priority, Climmate-KIC, VOC emissions in LEED EQ credit (low-emitting products), SCS Recycled Content  |   |
| <b>Durability</b>            | Contract  |   |

1 - all values are nominal 2 - measured with 300mm air cavity 3 - depending on the location and type of product



Climate-KIC is supported by the EIT, a body of the European Union



**Declare.**



# Umbra Long

## Acoustic Lighting

### Online Resources

A variety of resources are available online for all of our products. Please visit the product's page for more information.



CAD files  
IES/LDT files



Spec sheets and  
Installation Guide



Color families



Instruction  
videos



Associated  
products specs.

### Ordering Process

Our experienced team of Project Consultants will guide and support you throughout the order process. We fulfill the majority of our orders in as little as 21 days<sup>1</sup> from your first point of contact, allowing you to focus on what truly matters to you.



Contact our  
consultant

Quote<sup>1</sup>

48 h



Order Confirmation

Production<sup>1</sup>

2 - 3 weeks



Dispatch

Transit

location based



Delivery

### Contact Us

Ready to make an impact? We are just an email or call away to discuss your project and answer any question.



+41 41 566 55 55



connect@impactacoustic.com



Online form



<sup>1</sup> - Quote and Production times may vary.

**IMPACT ACOUSTIC®**  
Acoustic Lighting rev.01 - 15.01.24

(Switzerland)  
(USA)  
(Philippines)

connect@impactacoustic.com  
usa@impactacoustic.com  
philippines@impactacoustic.com

(+41) 41 566 55 55  
(+1) 646 918 1581  
(+63) 285 80 02 50

#WeMakeAnImpact

**#We  
Make An  
Impact**

[connect@impactacoustic.com](mailto:connect@impactacoustic.com) | [www.impactacoustic.com](http://www.impactacoustic.com)