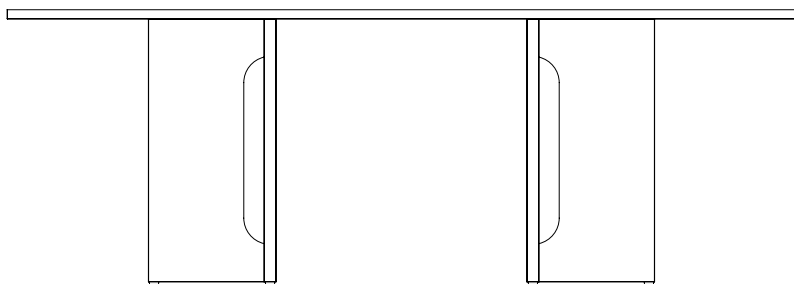


Androgynous Dining Table, Rectangular

by Danielle Siggerud



MENU

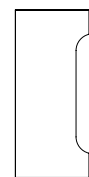
Congratulations on your table designed by Danielle Siggerud.

We hope you will enjoy using this item and follow these instructions to ensure correct assembly.

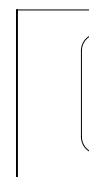
These instructions are provided for your safety.

It is important that the instructions are read carefully and completely before assembling.

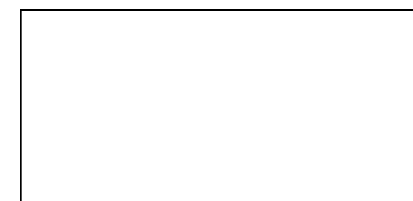
COMPONENT OVERVIEW



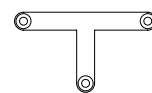
2 x Horizontal Leg



4 x Vertical Leg



1 x Table Top



2 x Base Brackets



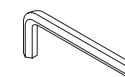
6 x Base / Table Top Brackets



24 x Screws



6 x Glide



1 x Allen Key

IMPORTANT INFORMATION

CAUTION

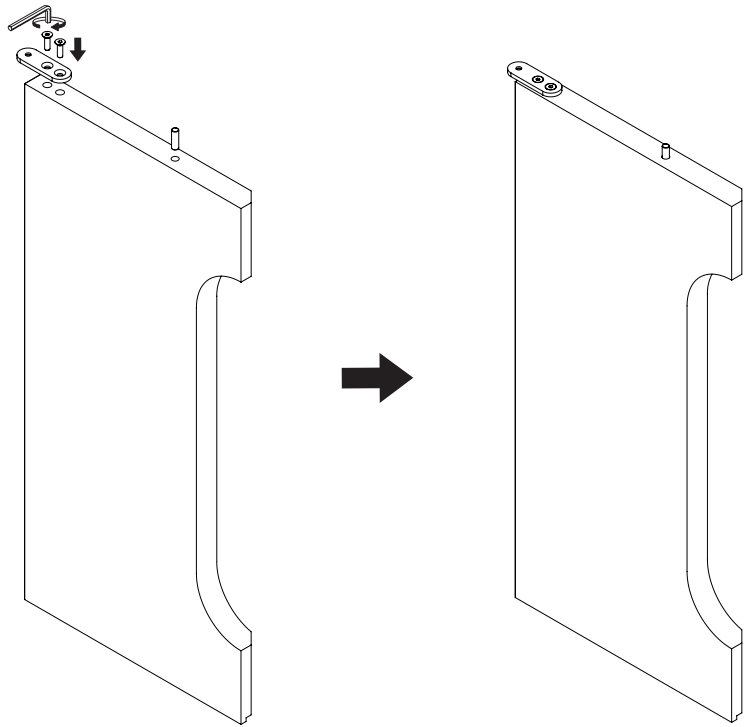
Please ensure that all assembly is done on a soft and flat surface, to ensure that the components will not be damaged/scratched.

During assembly of the base, loosely tighten screws. When all screws are in place, you may then tighten the screws completely.

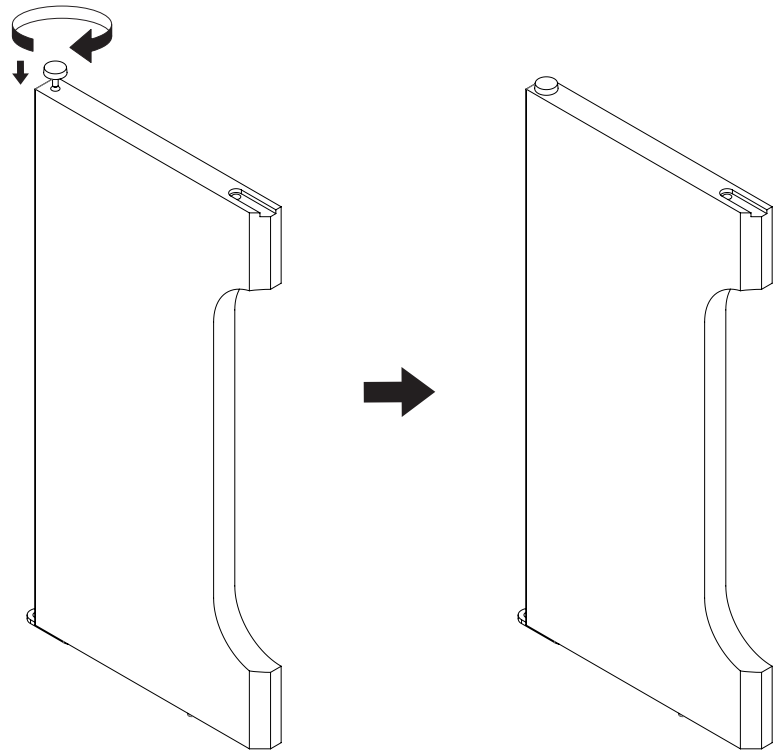
CARE AND MAINTENANCE

Please see care instructions on www.menuspace.com

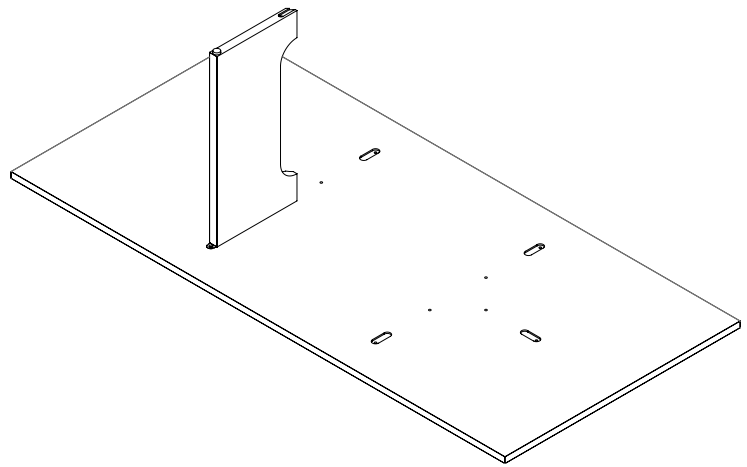
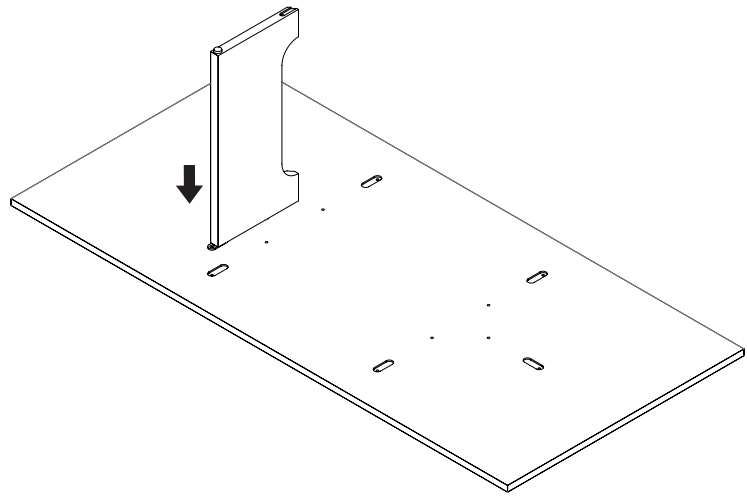
1



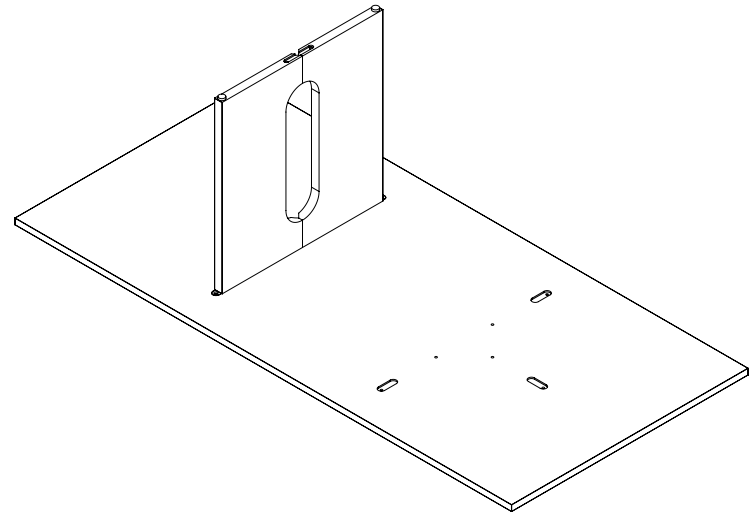
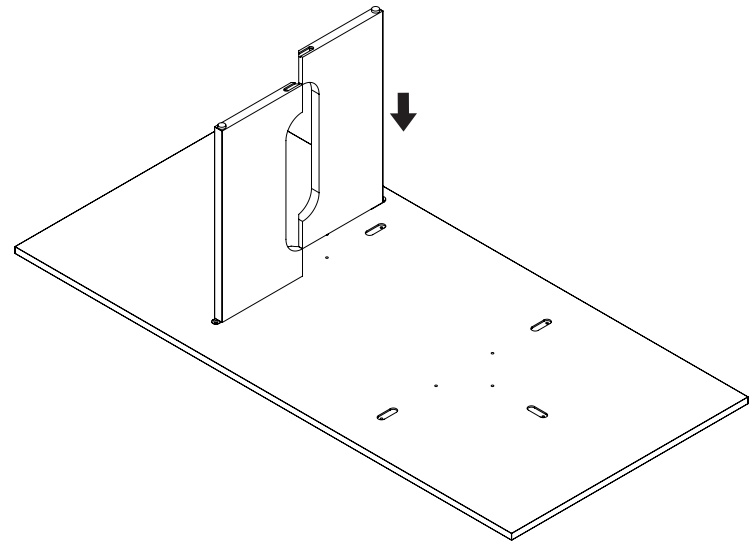
2



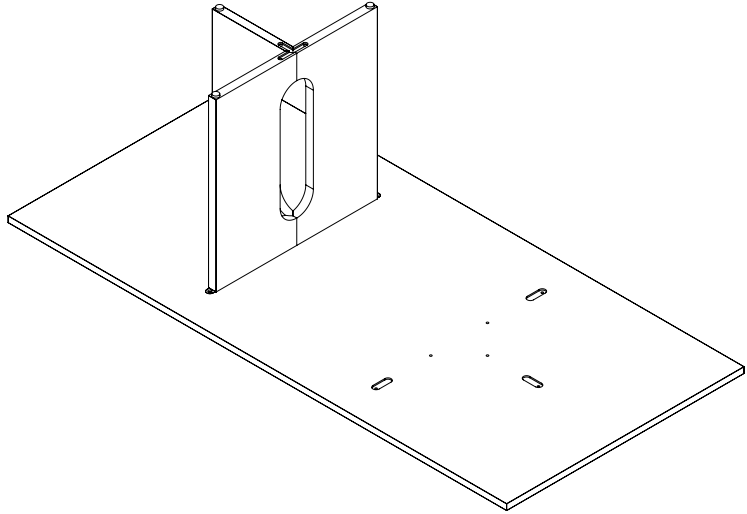
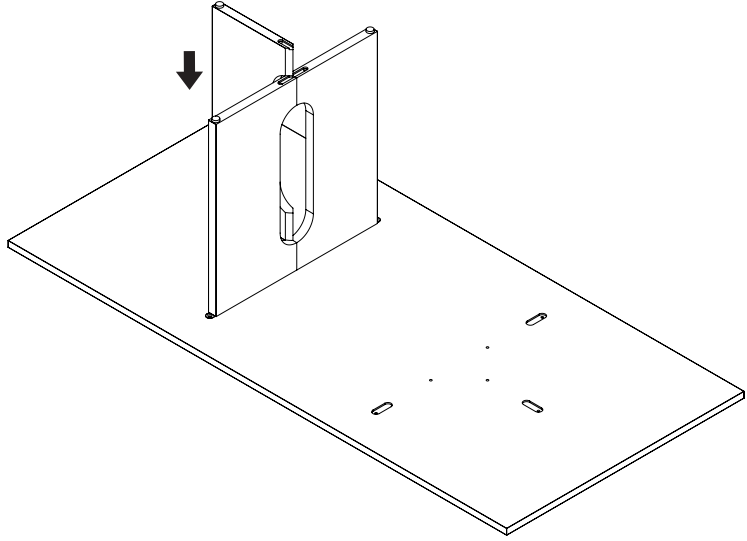
3



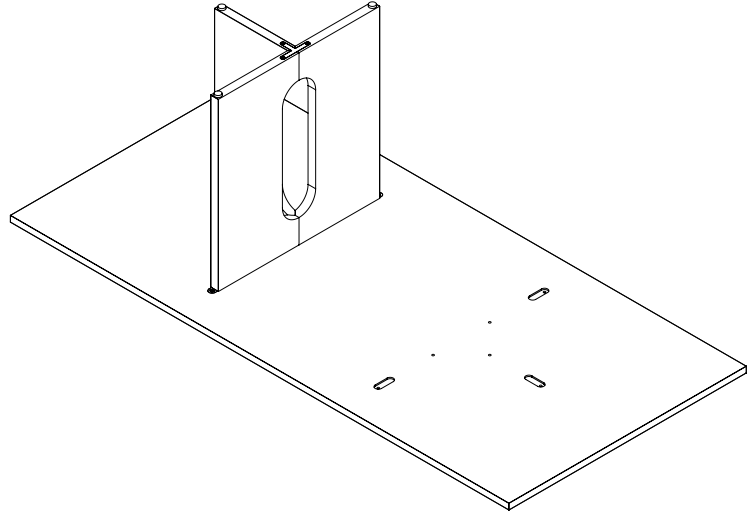
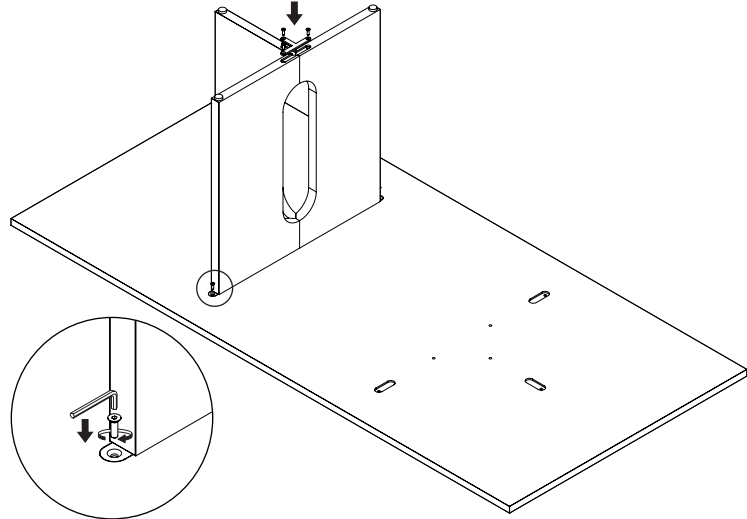
4



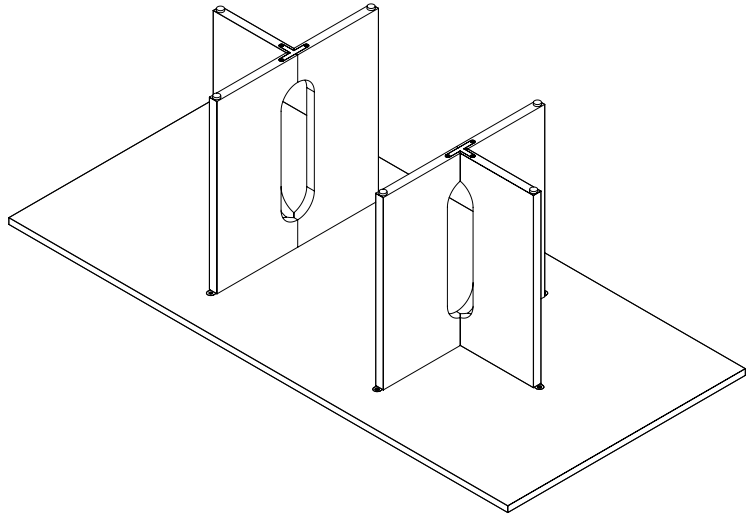
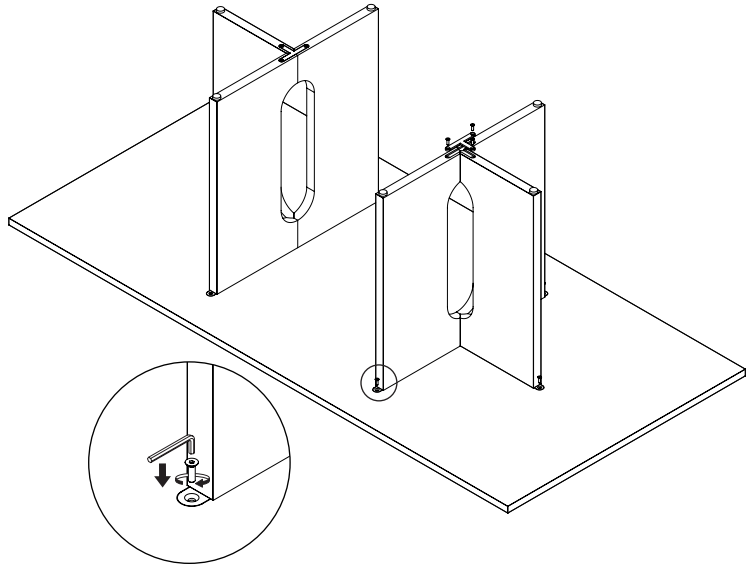
5



6



7



8

