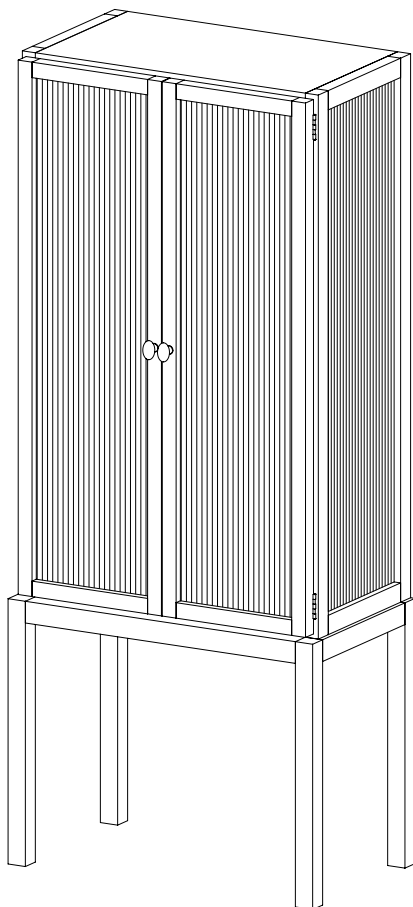


Curiosity Cabinet

by Mentze Ottenstein

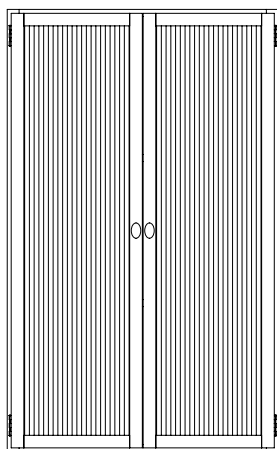


MENU

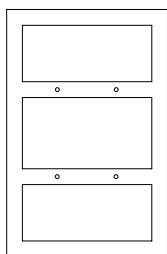
Congratulations on your Curiosity Cabinet designed by Mentze Ottenstein.

We hope you will enjoy using this product and follow these instructions to ensure correct assembly. These instructions are provided for your safety. It is important that they are thoroughly read before starting assembling the cabinet.

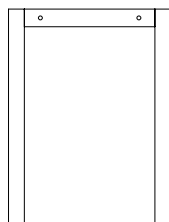
COMPONENTS OVERVIEW



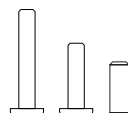
1 x Cabinet



1 x Base Piece



2 x Leg Piece



6 x M8x50
4 x M8x30
4 x dowel

TOOLS IN CLUDED



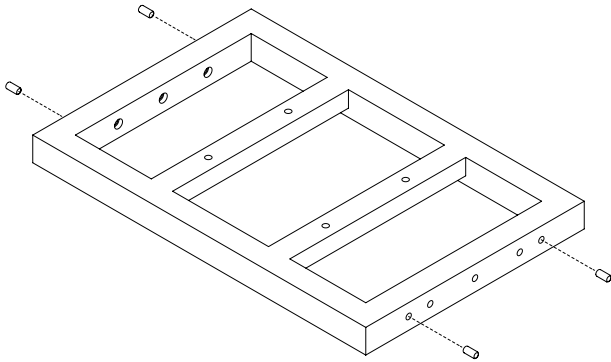
IMPORTANT INFORMATION

CAUTION

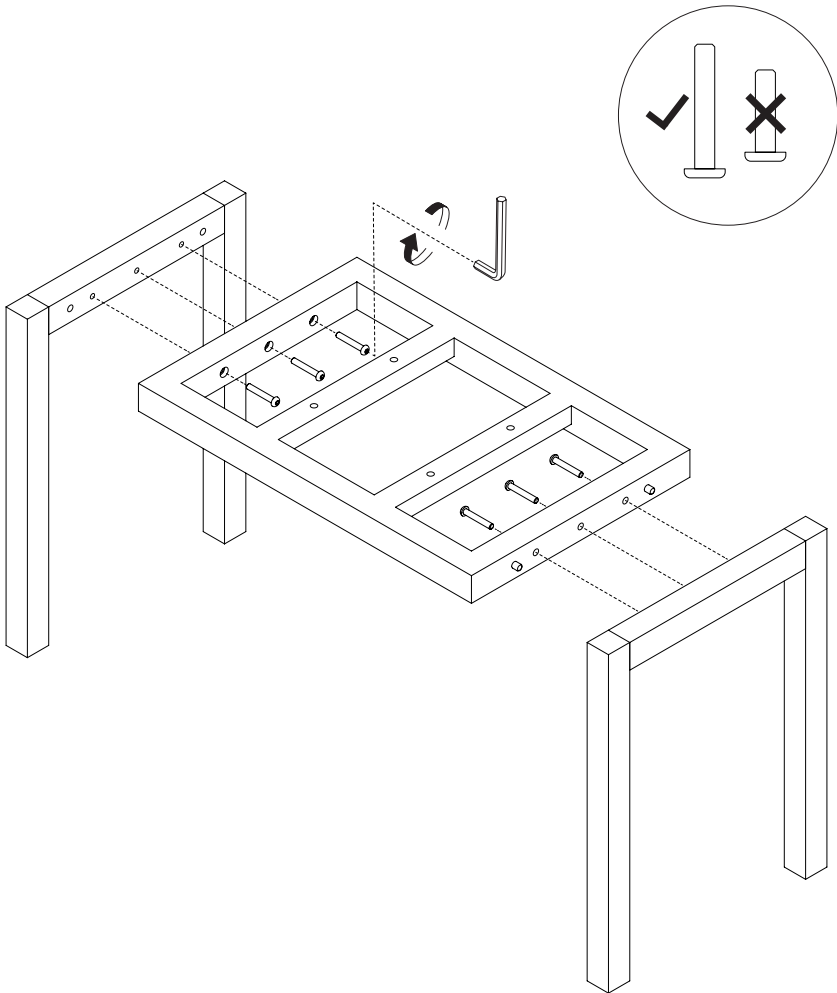
Please ensure that all assembly is done on a soft flat surface, to avoid scratching or damaging the product.

During assembly of the base loosely tighten all screws. When all screws are in place you may tighten them completely.

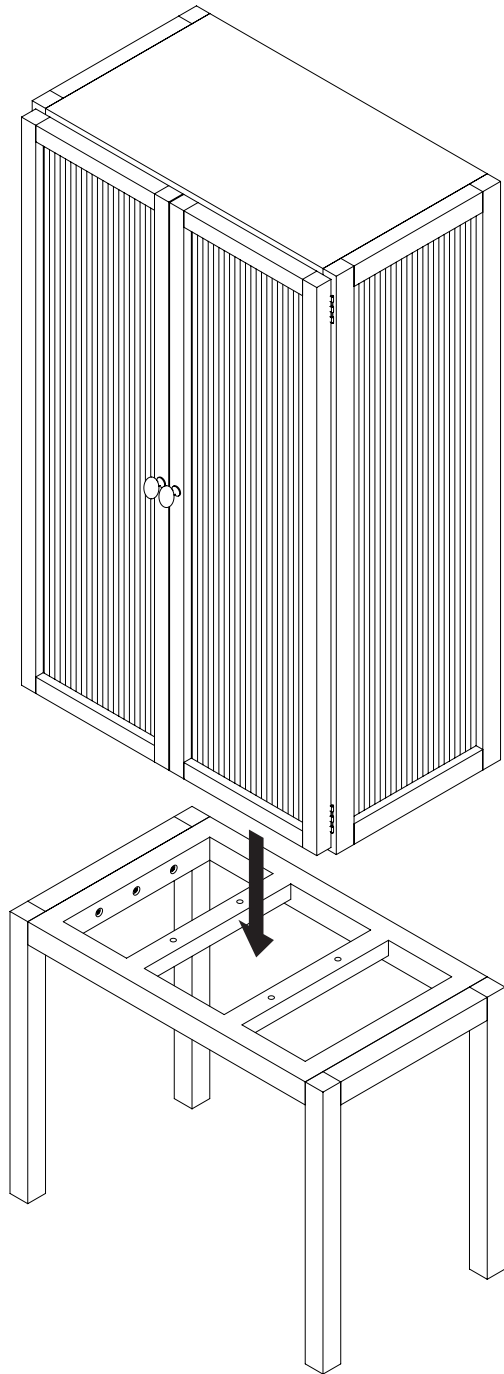
1



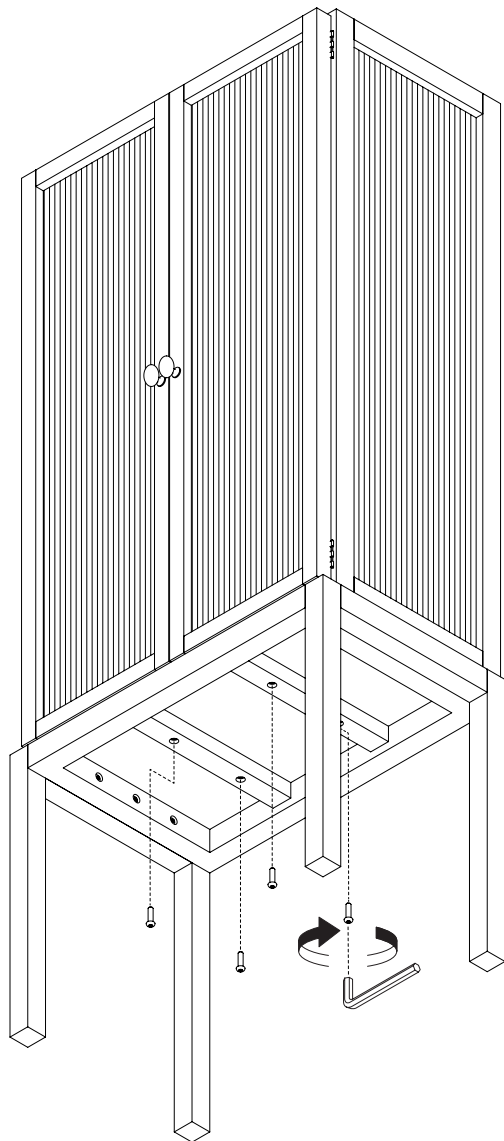
2



3



4



5

