

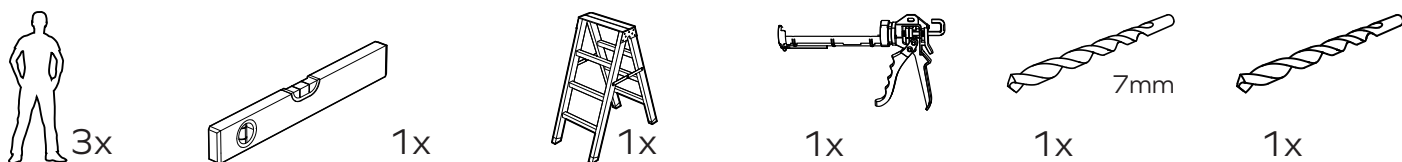
IMPACT ACOUSTIC®



45min

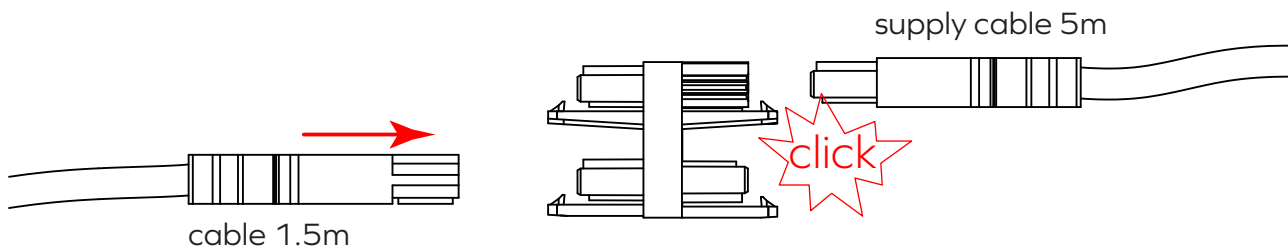
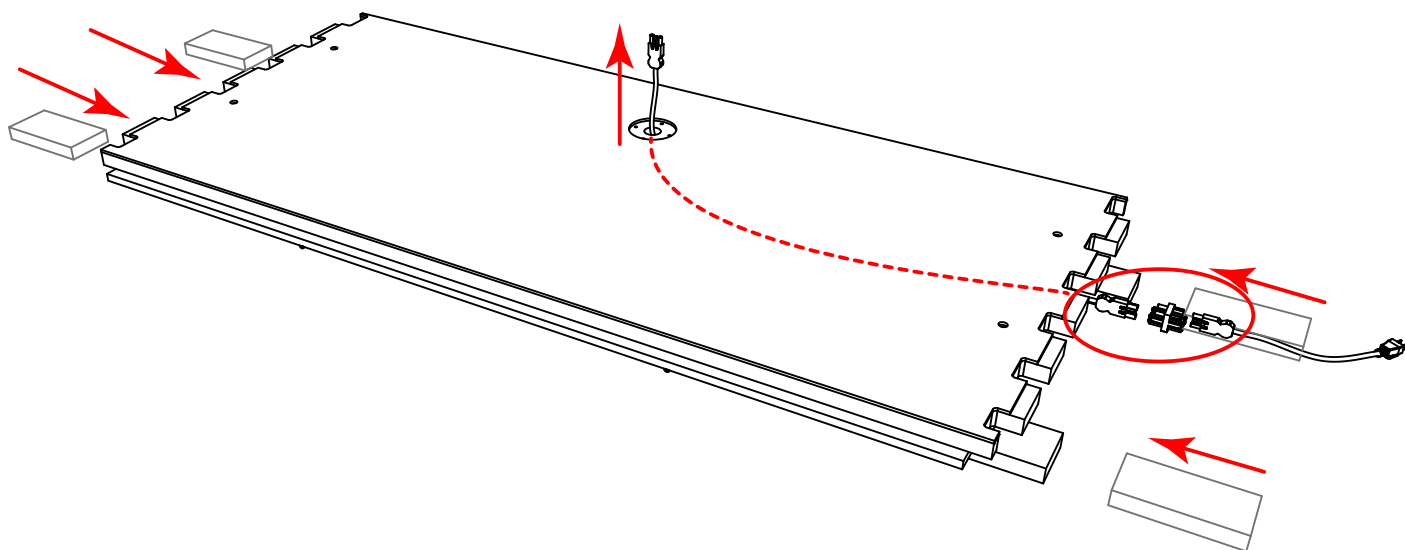
Assembly instructions
Chatpod 350

Is required in addition to the scope of delivery:



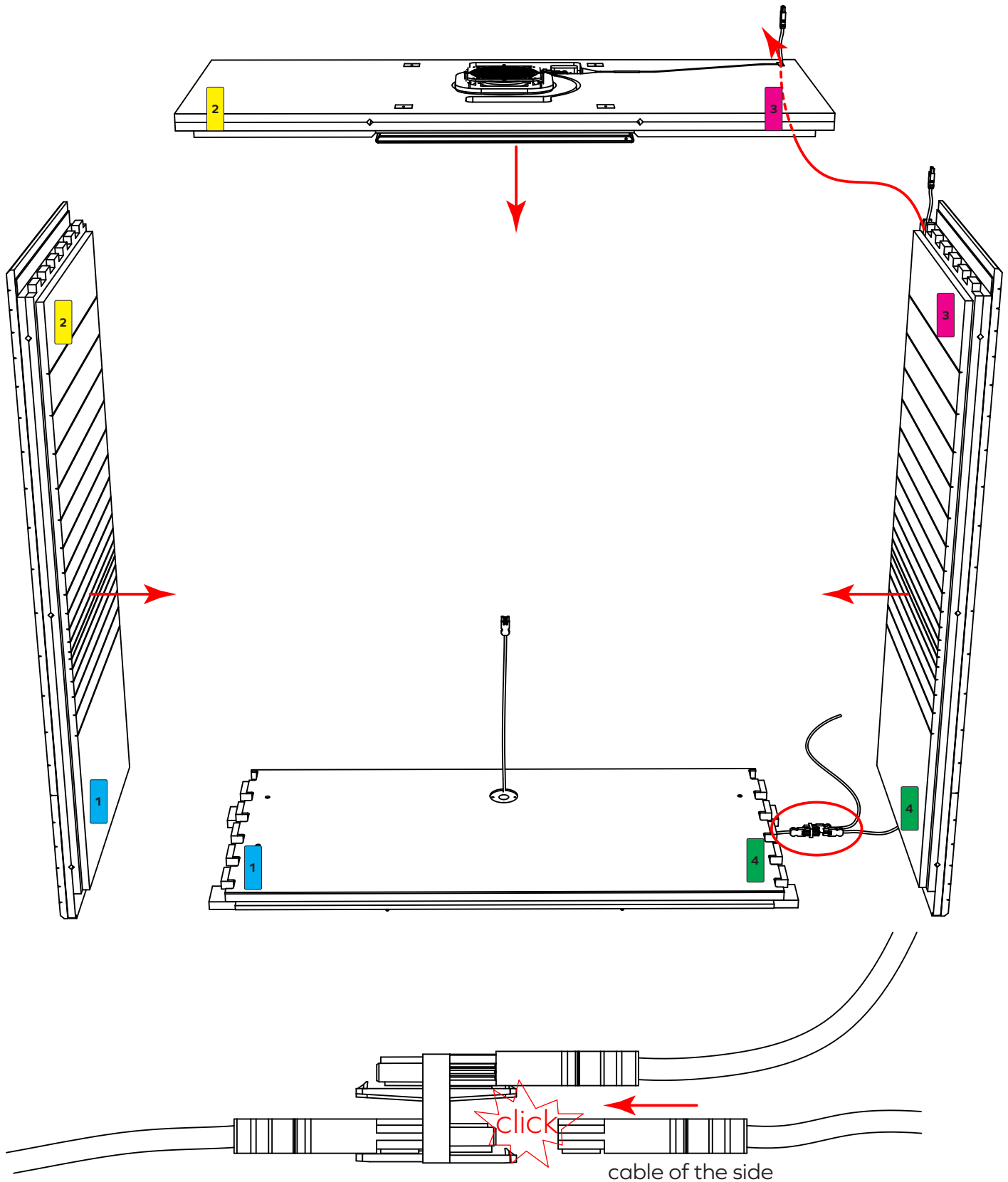
step 1

Place the honeycomb cardboard blocks under the cardboard supports of the base. Make sure that the bottom sits stably on the blocks and that the blocks protrude a few centimeter to the sides. Insert the supply cable and the 1.5m cable into the H-distributor until they click into place.



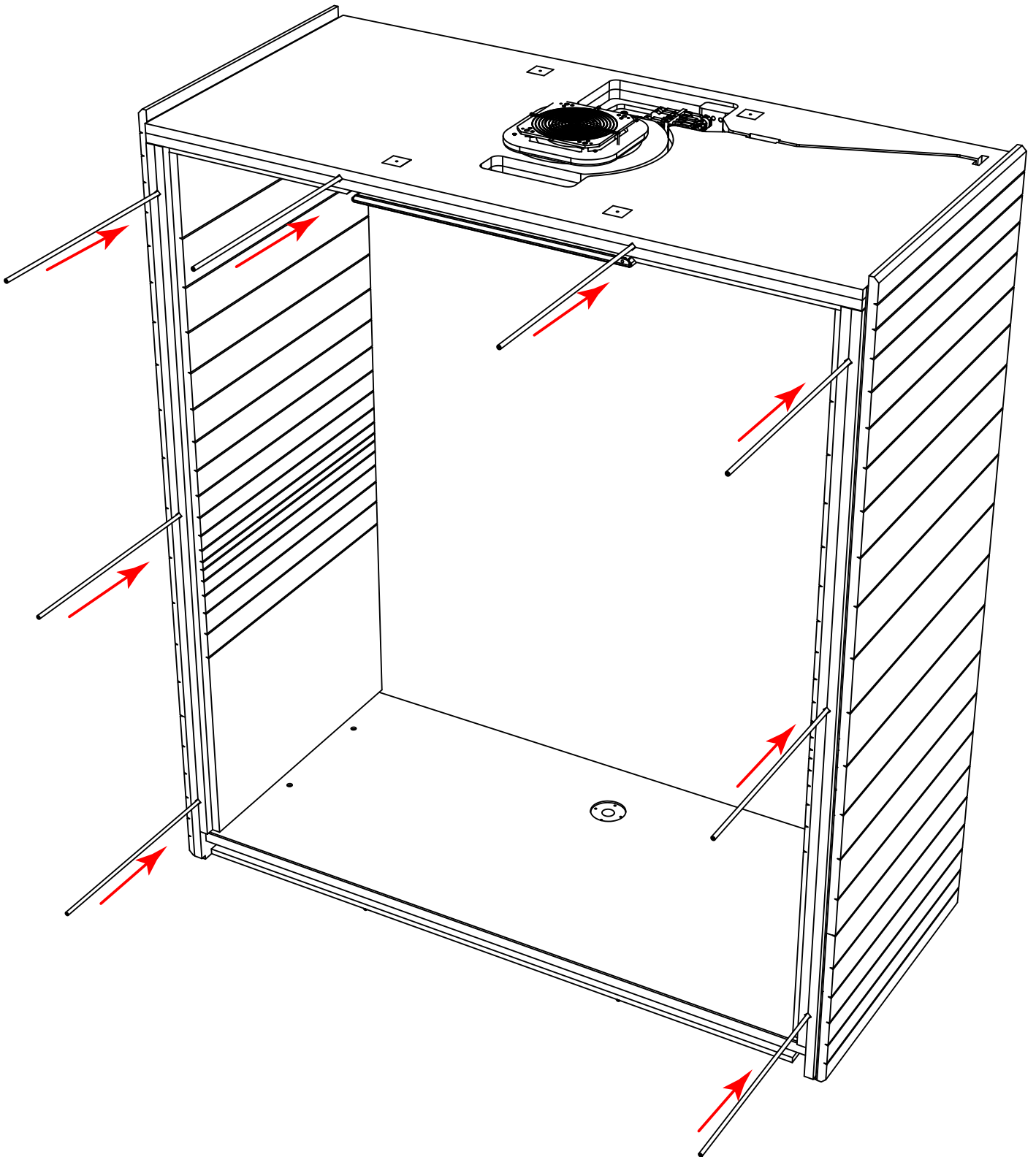
step 2

Insert the cable of the right side into the H-distributor. Place the two sides on the honeycomb blocks and tuck them into the bottom. This should go easily, if not, make sure the sides and bottom are aligned. Hold the sides until the top is assembled. Pin the top together with the sides, pull the cable through the top from the right side.



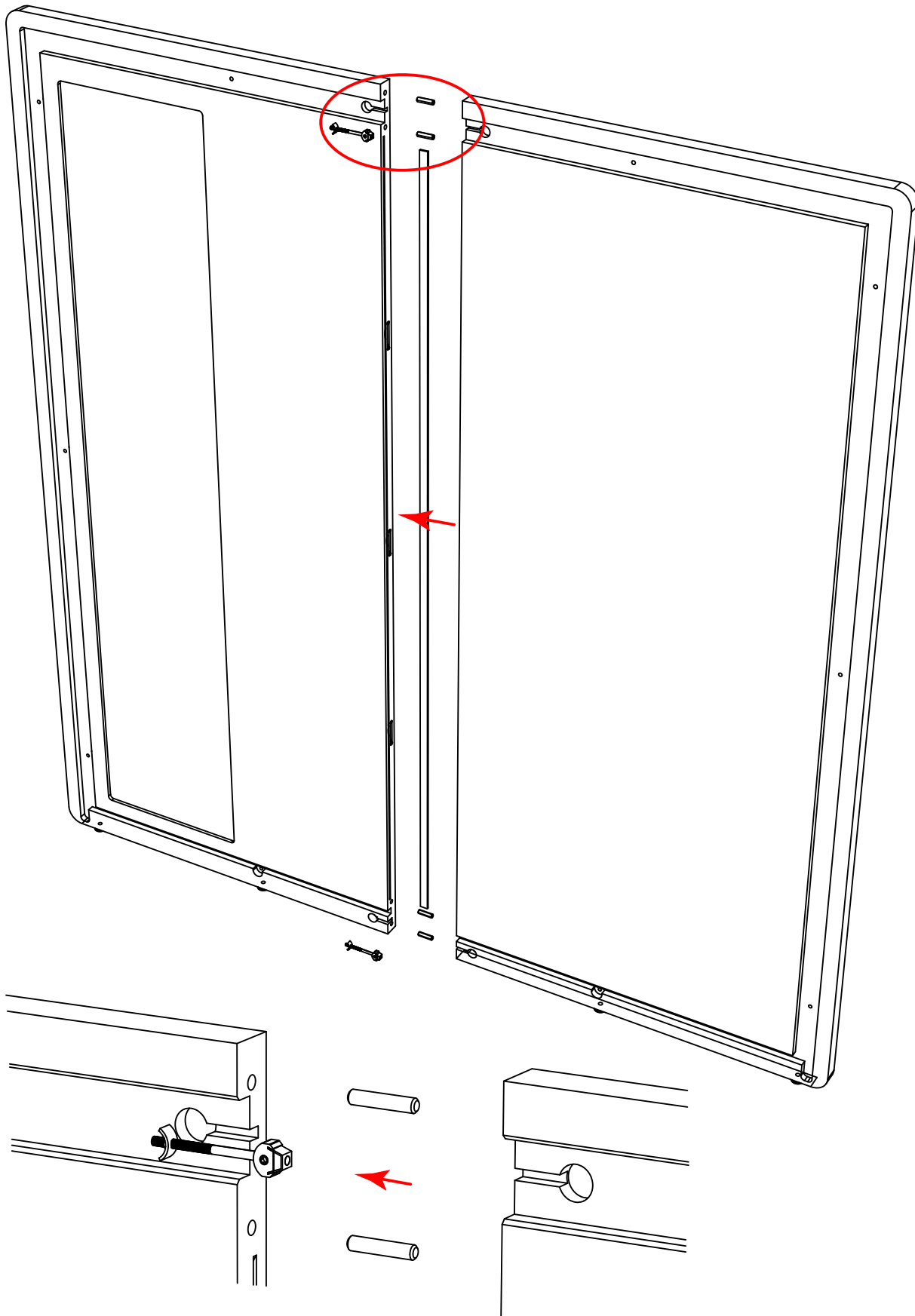
step 3

Insert the eight connecting rods.



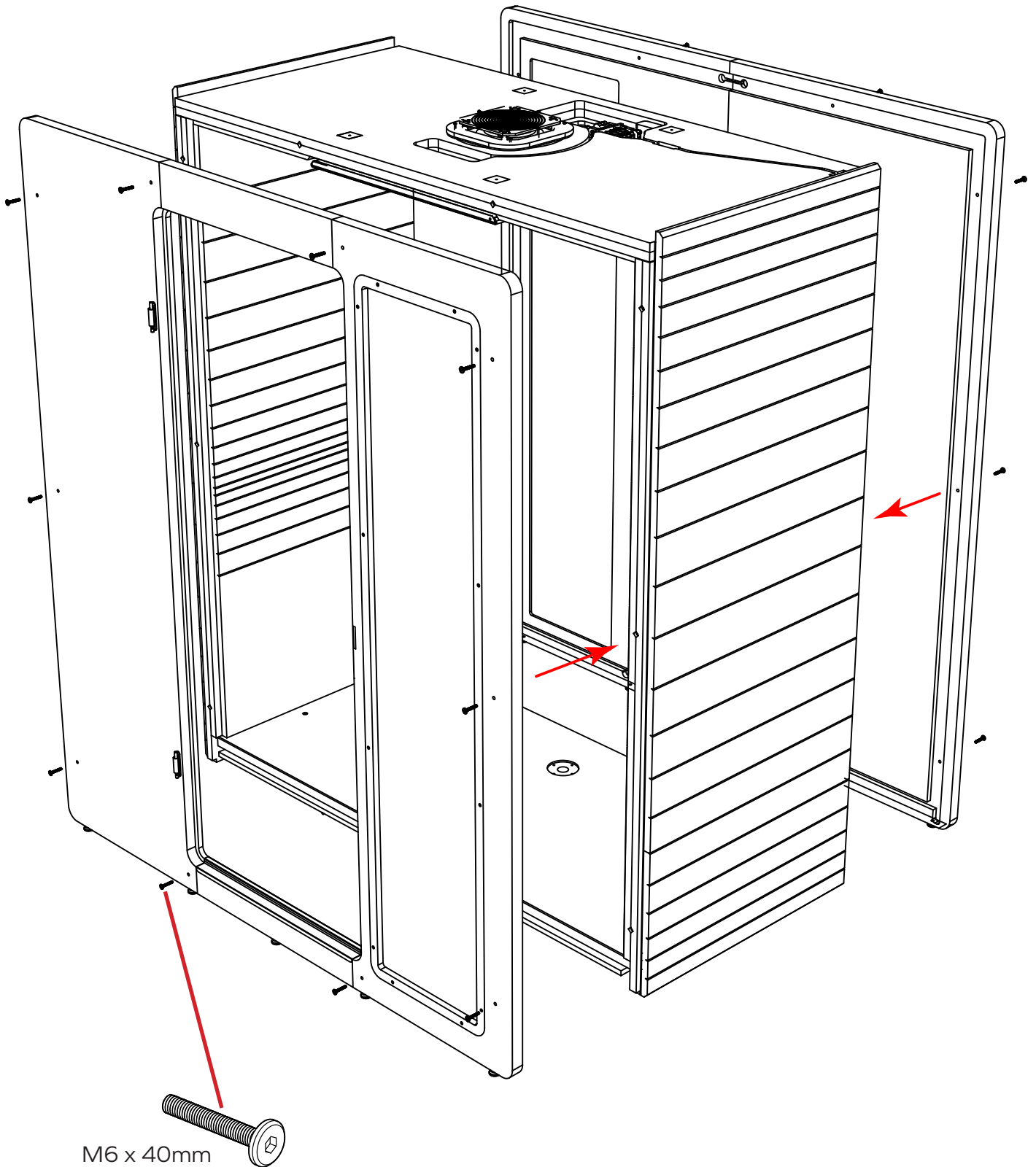
step 4

Insert the wooden dowels into the holes. Join the two back panel elements and pull them together with the connectors. Do the same with the front elements.



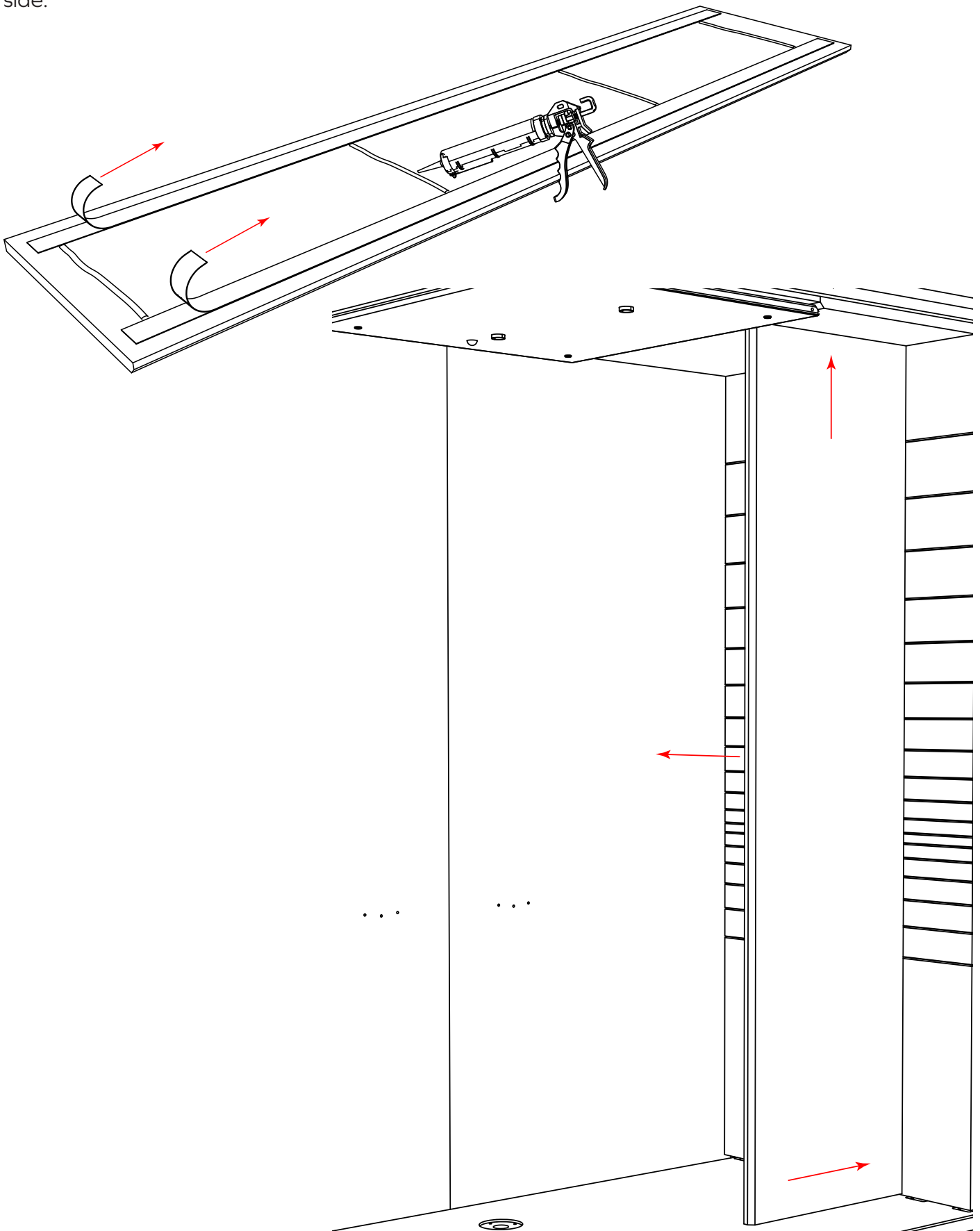
step 5

Join the back wall with the sides, the bottom and the top. Secure the back panel by screwing the six screws a few turns into the connecting rods. Do the same with the front. Now tighten all the screws, which must be countered on the opposite side.



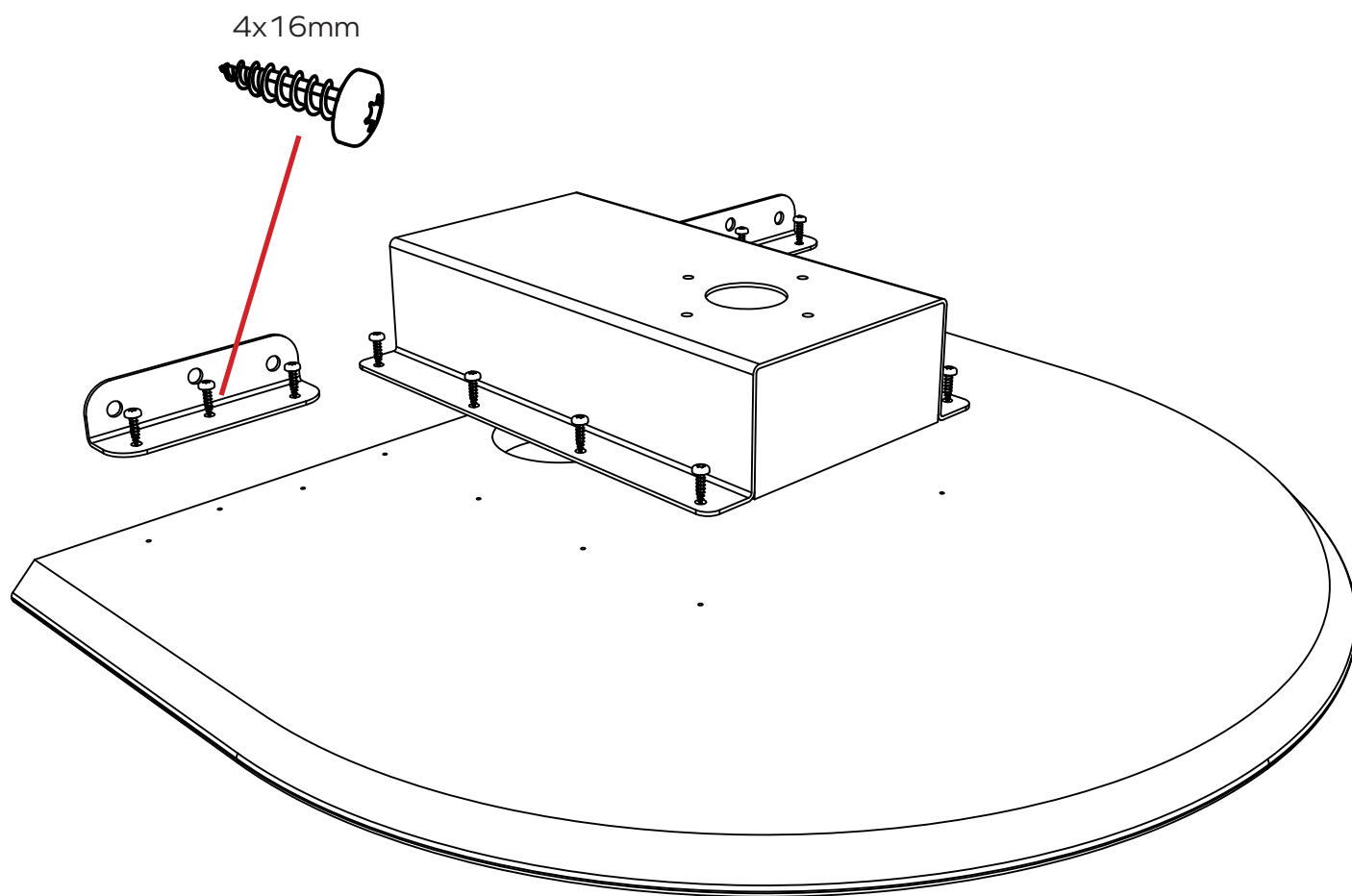
step 6

Glue the two 24mm Archisonic panels to the right side of the back panel and the left side of the front. Remove the release paper of the double-sided tape and apply some additional glue dots with the installation glue provided. Make sure that the panels are completely flush with the top and side.



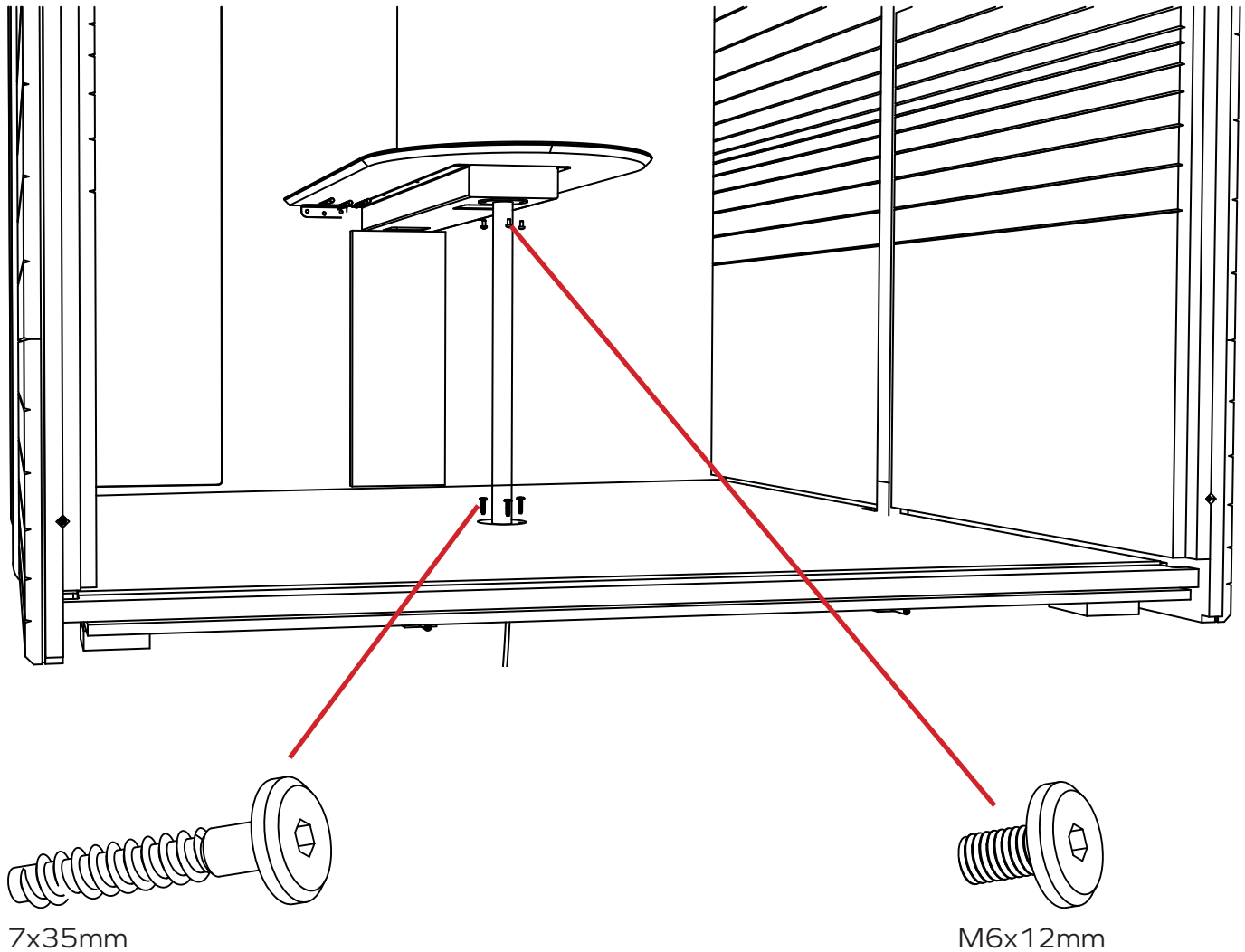
step 7

Screw the cable channel and the two brackets onto the table top.



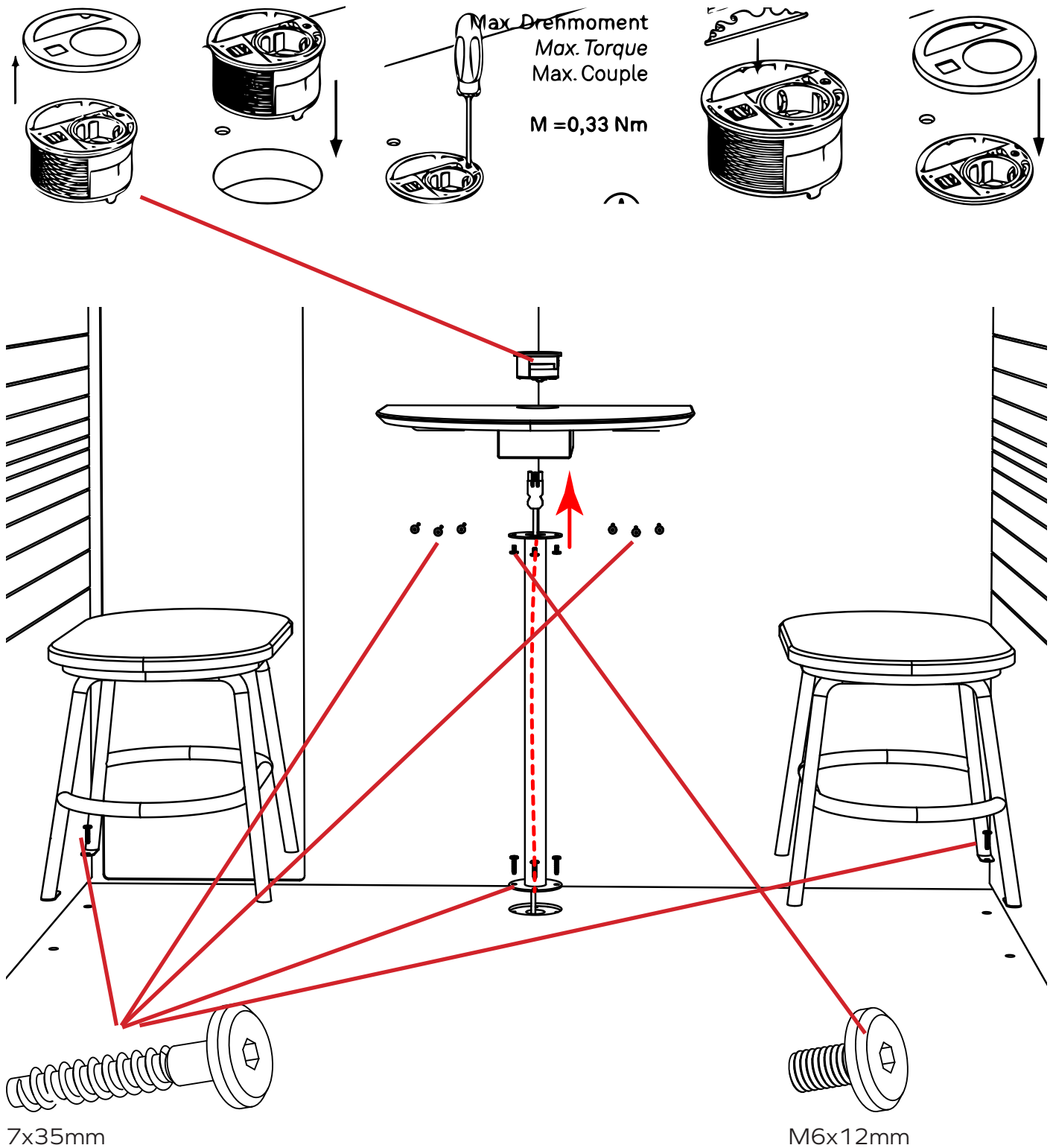
step 8

Pull the cable through the column. Screw the table column to the floor and to the cable channel. Take the supplied spacer (honeycomb cardboard) and place it next to the rear wall so that the cable channel lies on it. Check the table top height (bench version = 750mm, high table = 1100mm) Level and centre the table top and drill the holes for the table attachment in the back wall. A stepped drilling is necessary, first with a 7mm drill bit 6mm deep and then with a 5mm drill bit a total of 32mm deep.



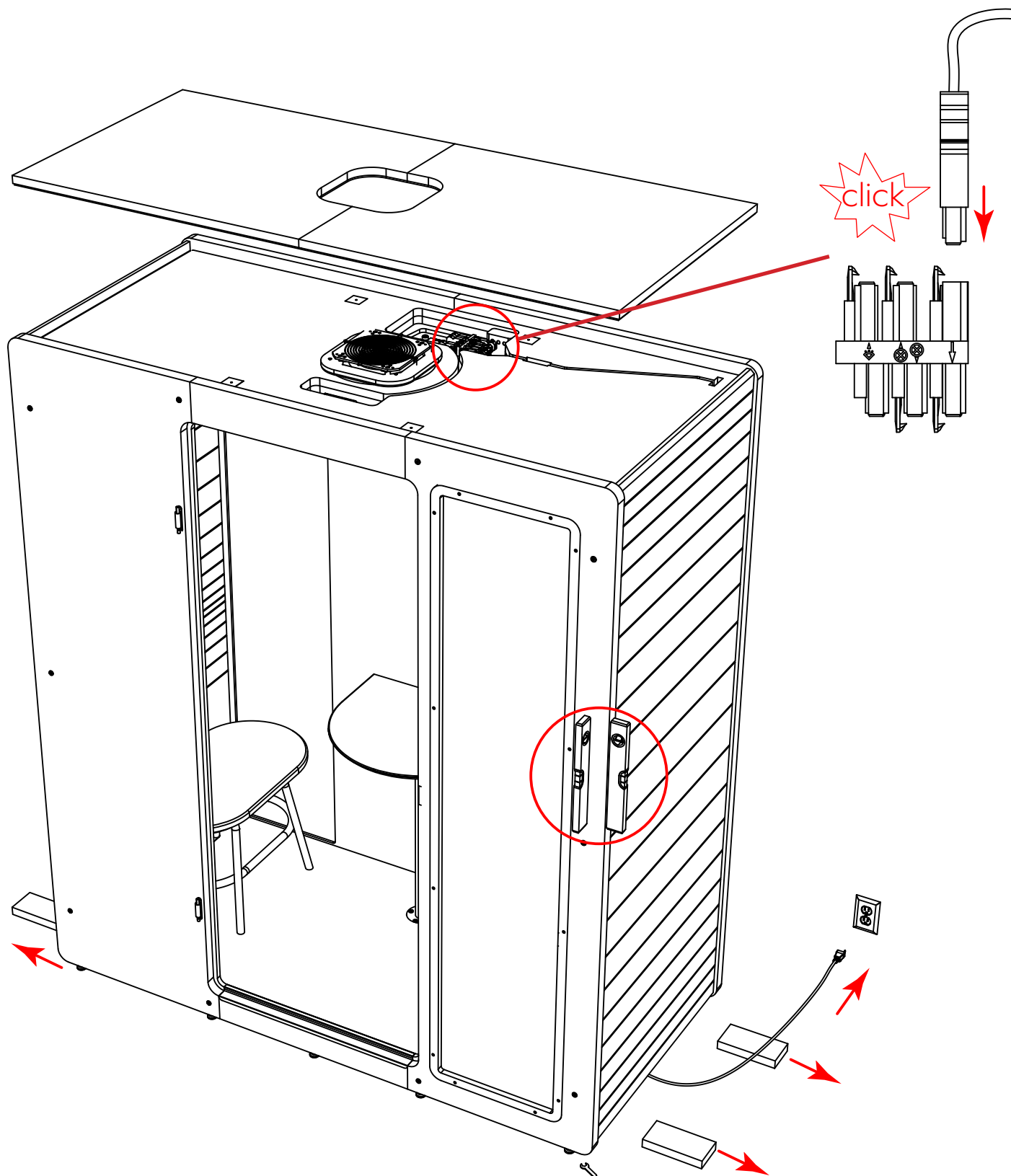
step 9

Connect the table top to the back wall with six 7x35mm screws. Screw the benches onto the floor with the 7x35mm screws. Carefully loosen the cover of the socket. Connect the socket with the supply cable. Insert the socket into the hole. Align it and tighten it. Place the insert and snap the cover back into place.



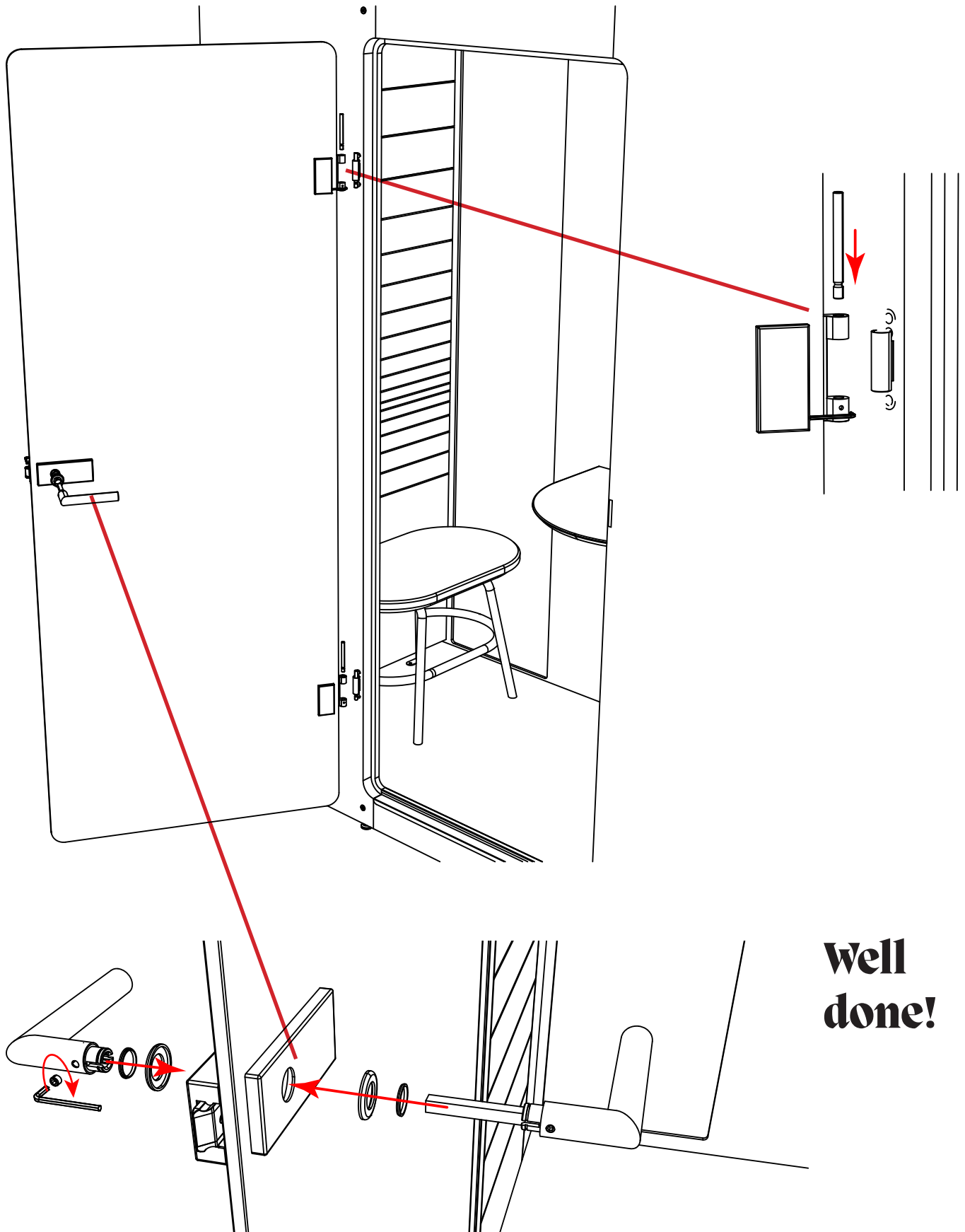
step 10

Remove the four honeycomb cardboard blocks. Align the chatpod using the four leveling feet. Insert the plug as shown. Place the two outer panels on the cover. Plug the power cord into the socket.



step 11

Mount the door and fix it with the two rods. Secure them with the set screws. Assemble the door handle in the following order: lock, metal washer, plastic washer, door handle. Press the two halves of the door handle together while tightening the stud screw with the 3 mm hex key. Make sure that the handle is mounted with the pre-mounted square pin in the inside of the chatpod.



Well done!