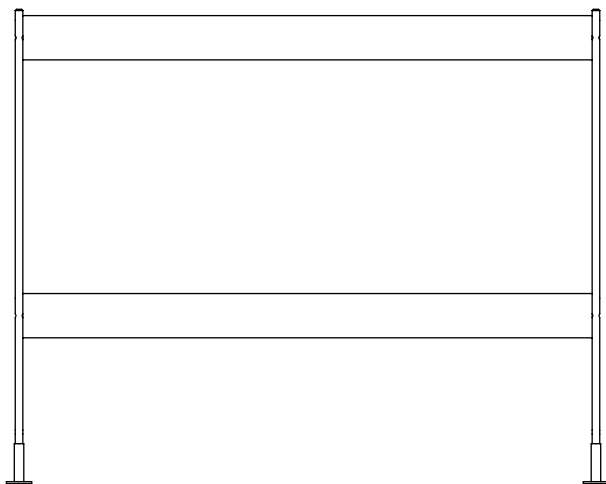


ZET Storing System by kaschkasch



MENU

ZET Storing System 1x2

Components

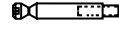
Knot x 8



Small Screw x 8



Shelves Screw x 8



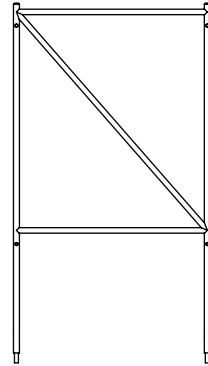
Feet x 4



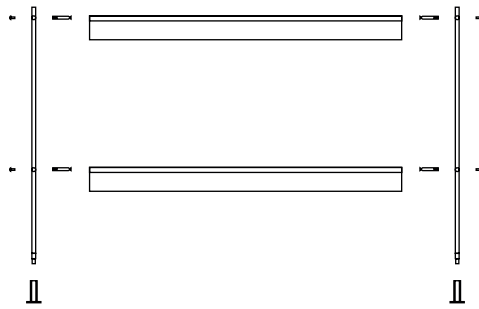
Shelves x 4



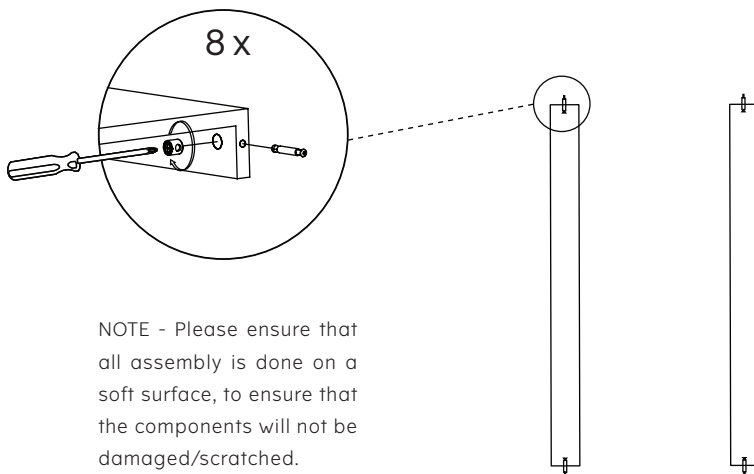
Low Frame x 2



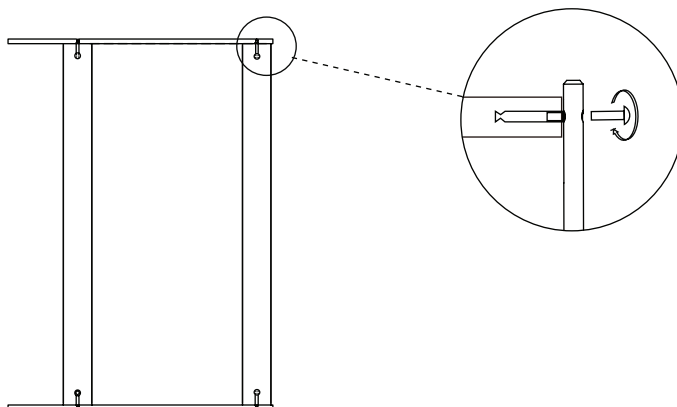
Exploded View



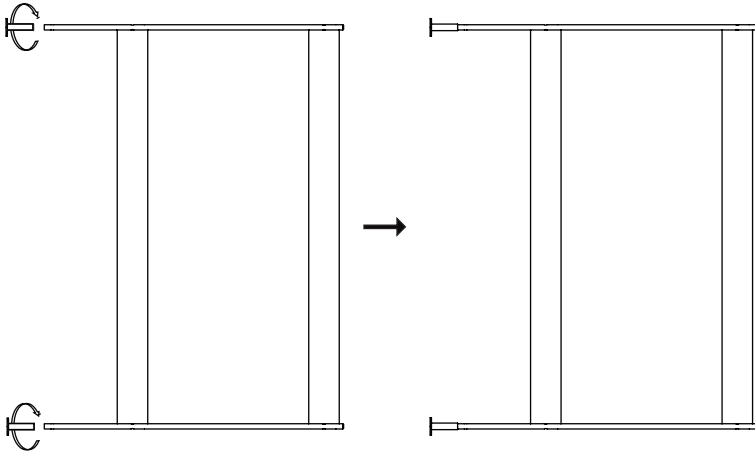
1



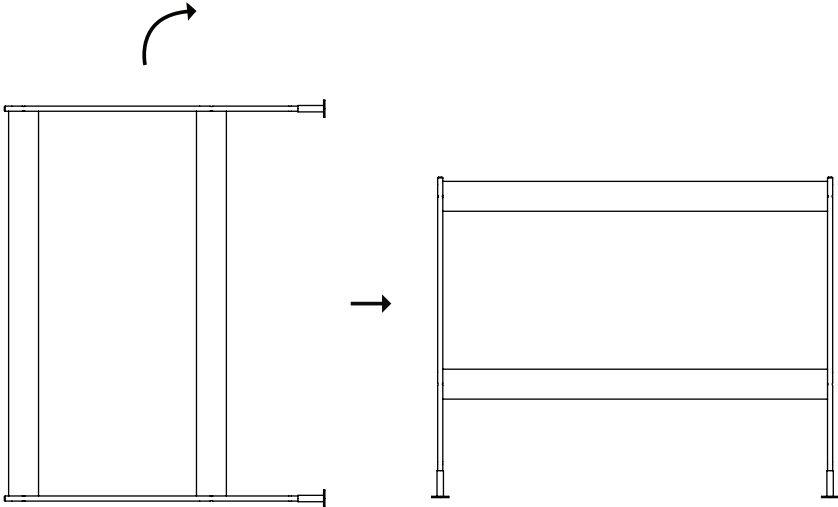
2



3



4



ZET Storing System 1x4

Components

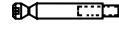
Knot x 16



Small Screw x 16



Shelves Screw x 16



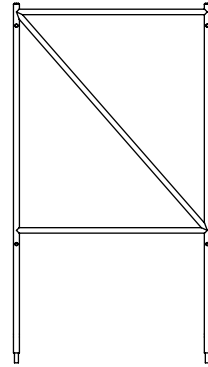
Feet x 4



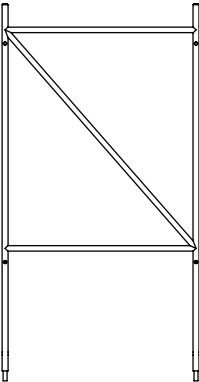
Shelves x 4



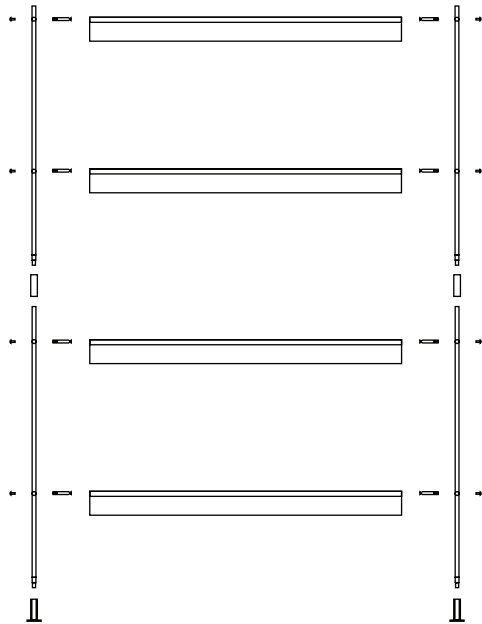
Low Frame x 2



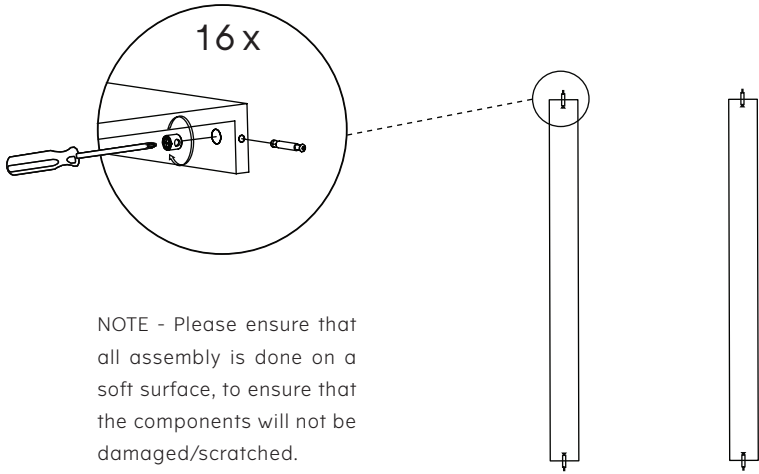
Tall Frame x 2



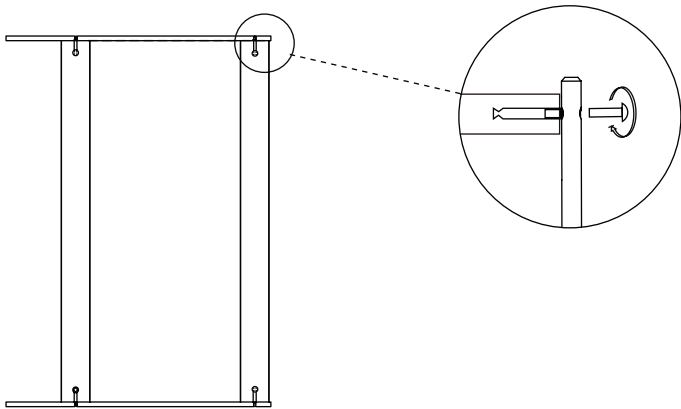
Exploded View



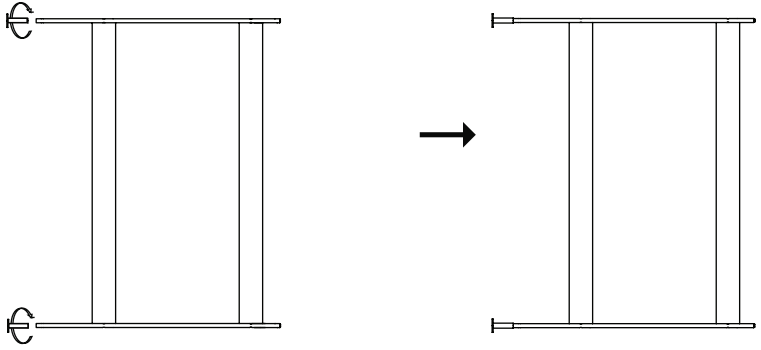
1



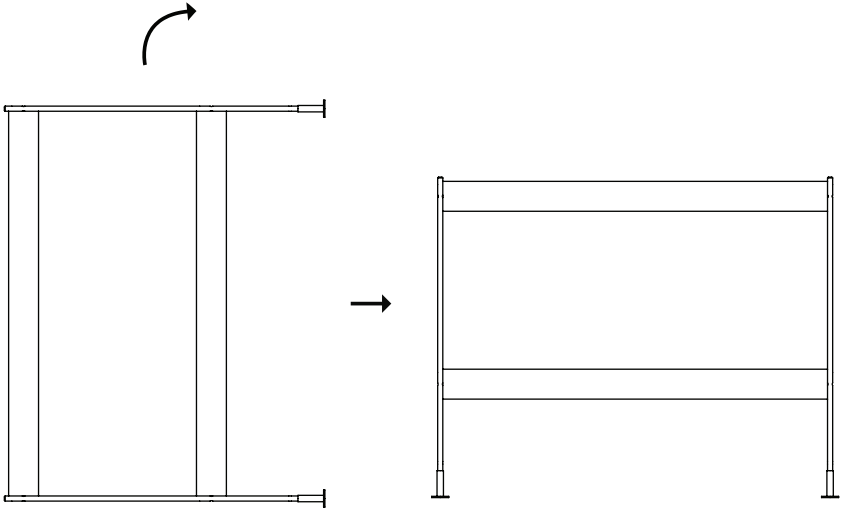
2



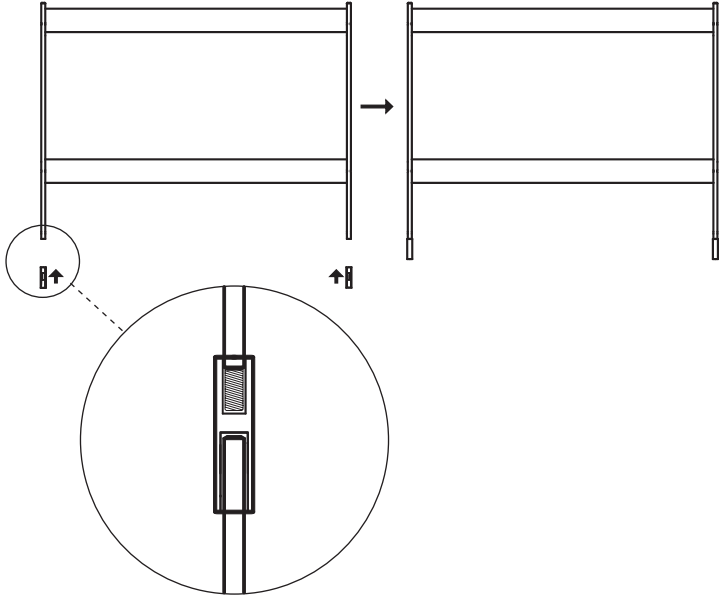
3



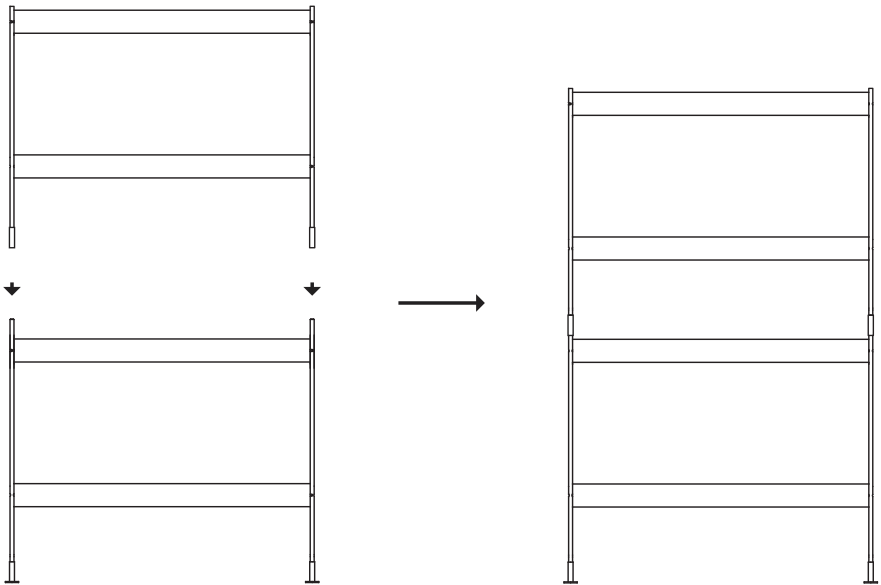
4



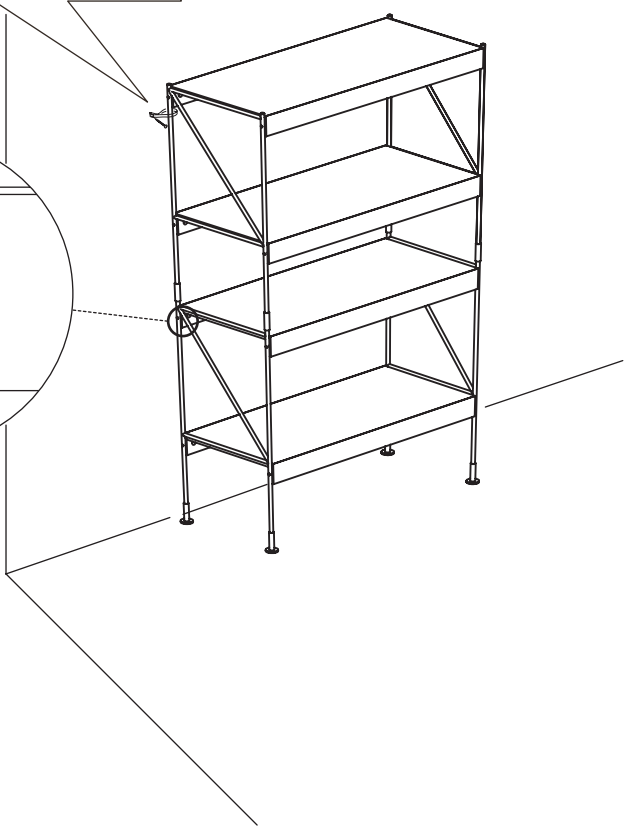
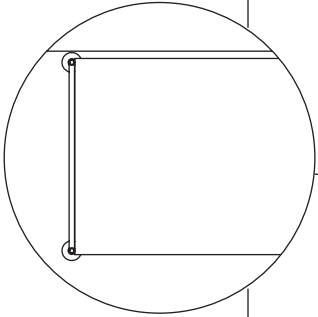
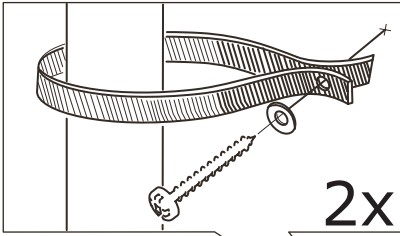
5



6



7



ZET Storing System 2x2

Components

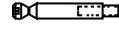
Knot x 16



Small Screw x 8



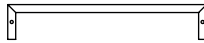
Shelves Screw x 12



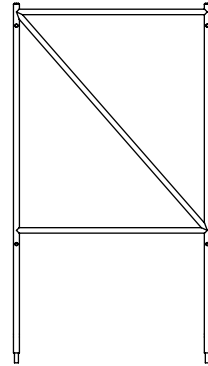
Feet x 6



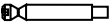
Shelves x 4



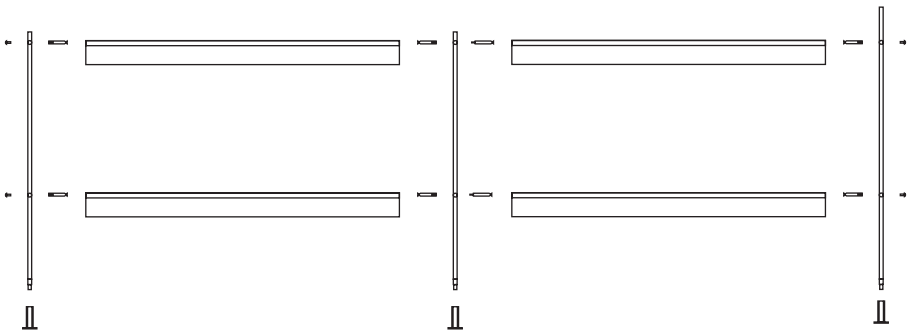
Low Frame x 3



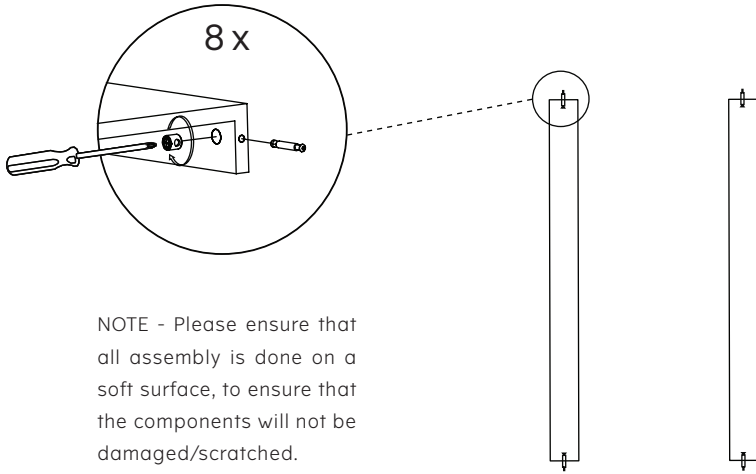
Shelves Screw (A) x 4



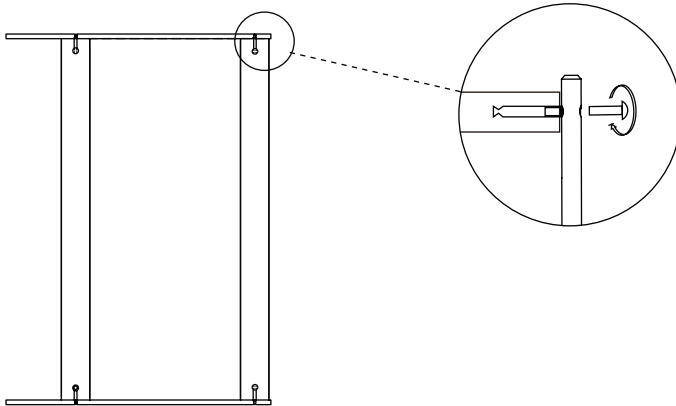
Exploded View



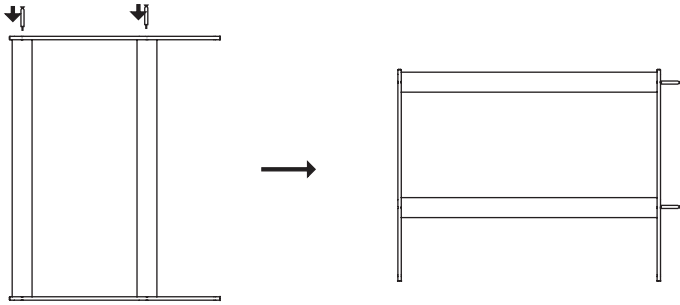
1



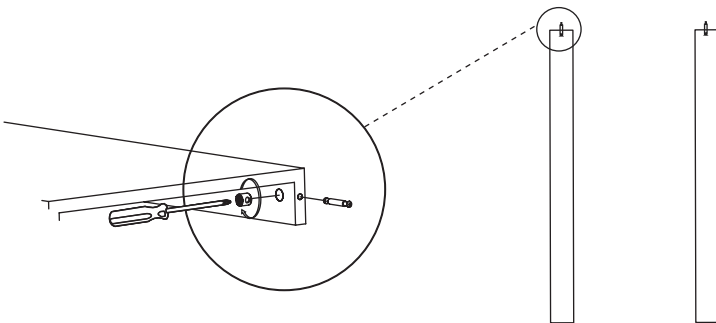
2



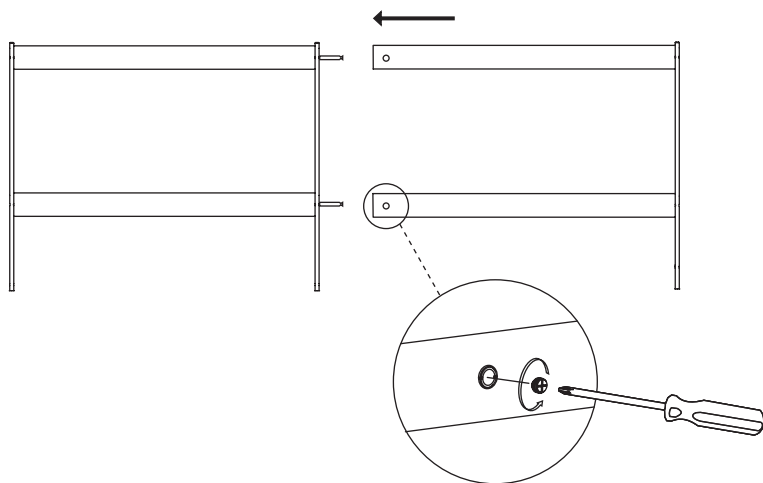
3



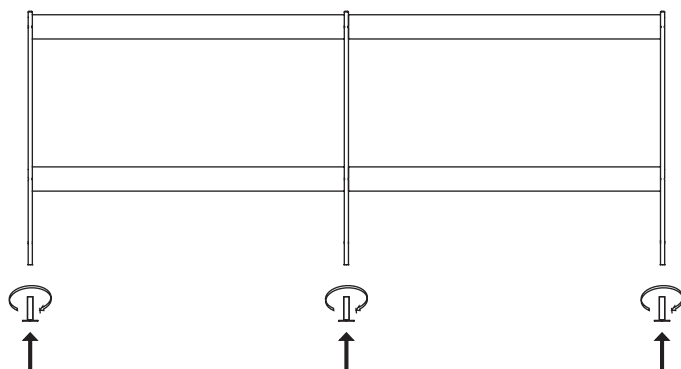
4

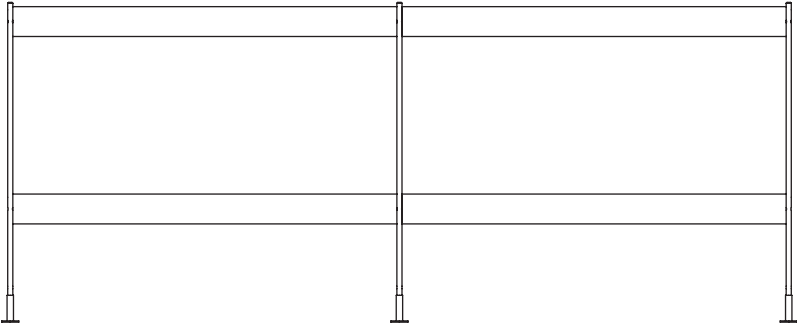


5



6





ZET Storing System 2x4

Components

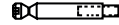
Knot x 32



Small Screw x 16



Shelves Screw x 24



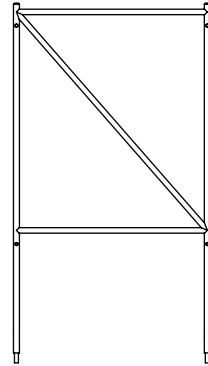
Feet x 6



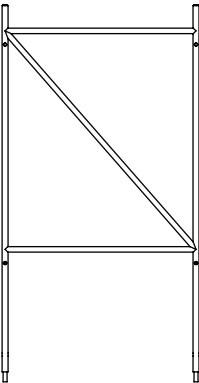
Shelves x 8



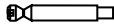
Low Frame x 3



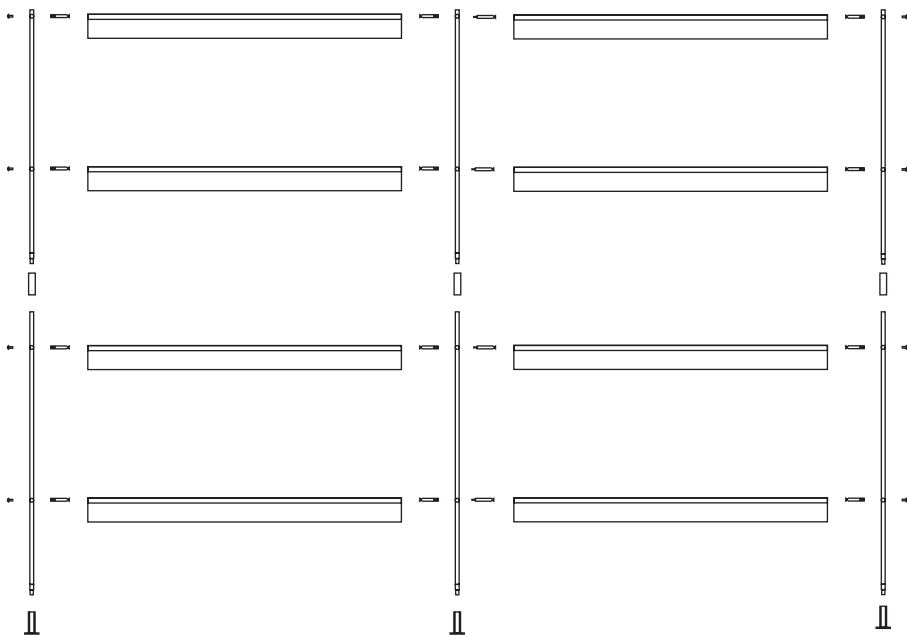
Tall Frame x 3



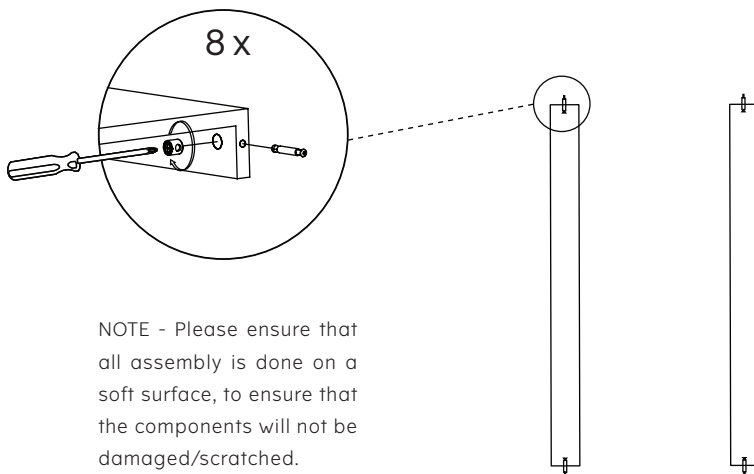
Shelves Screw (A) x 8



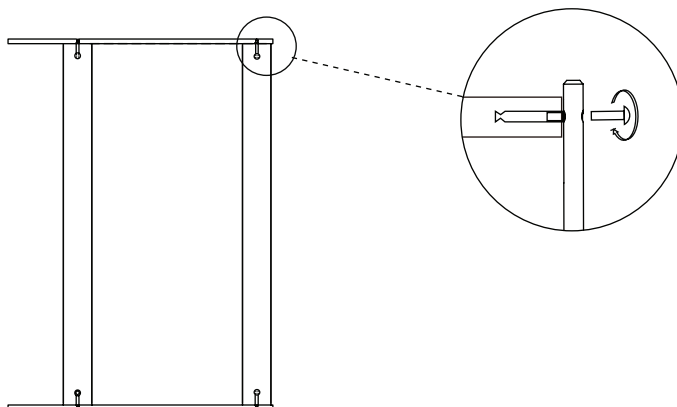
Exploded View



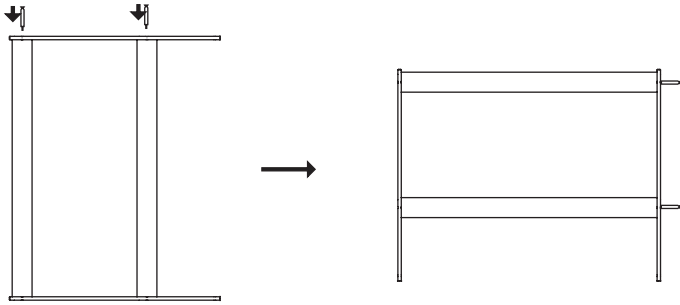
1



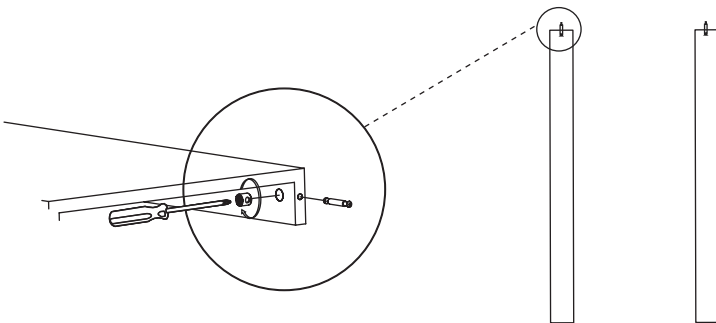
2



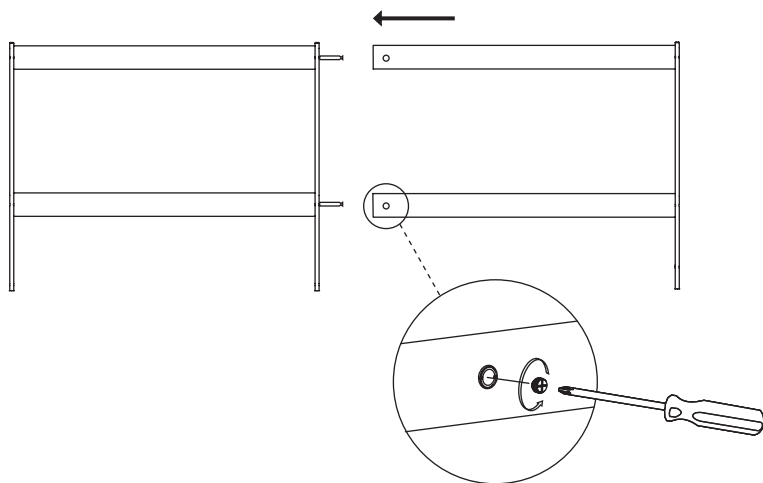
3



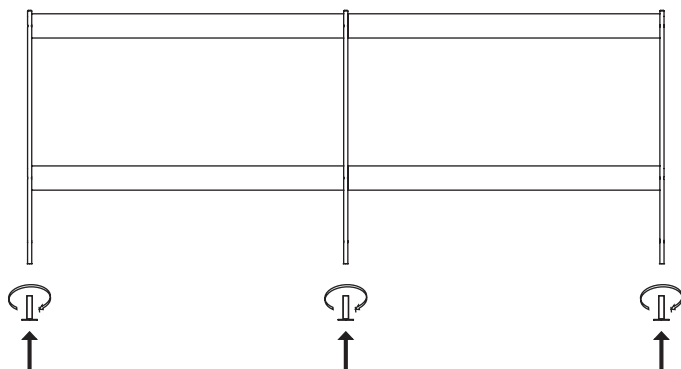
4



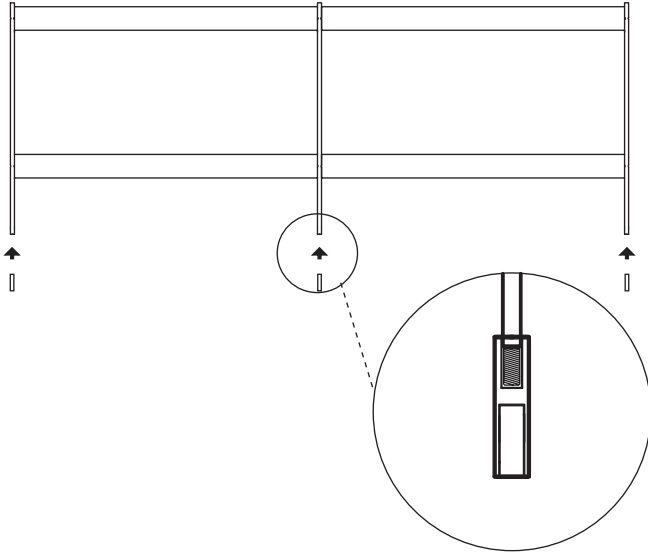
5



6



7



8

