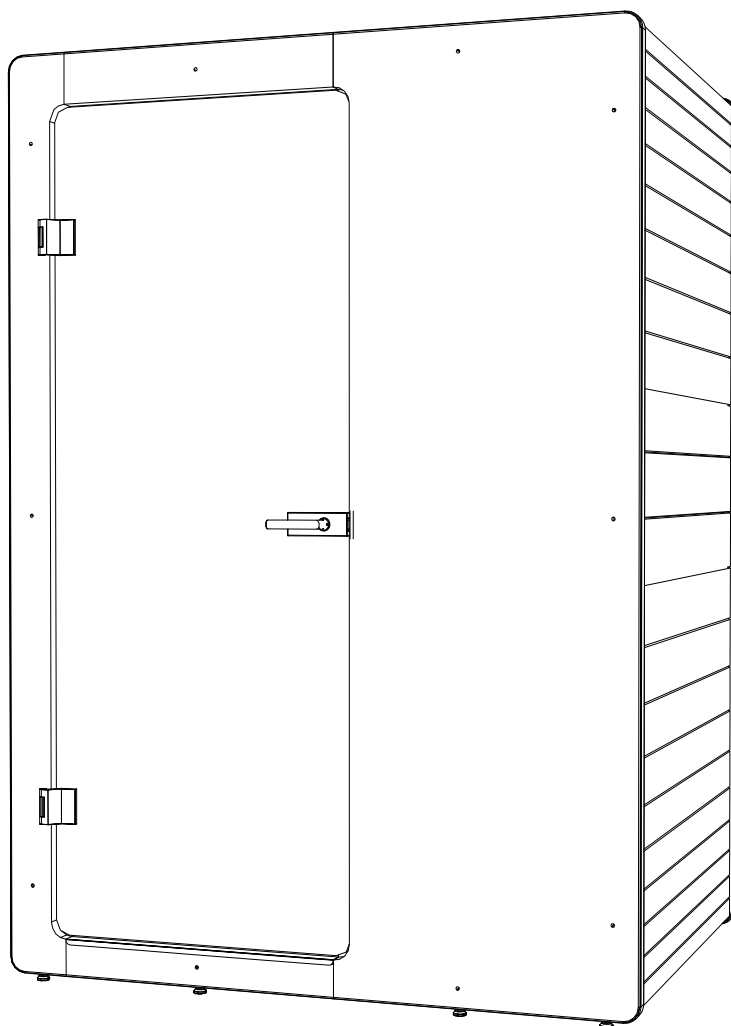


IMPACT ACOUSTIC®



**300**

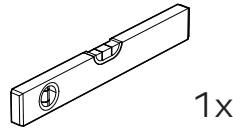
Chatpod

ASSEMBLY INSTRUCTIONS

# 300

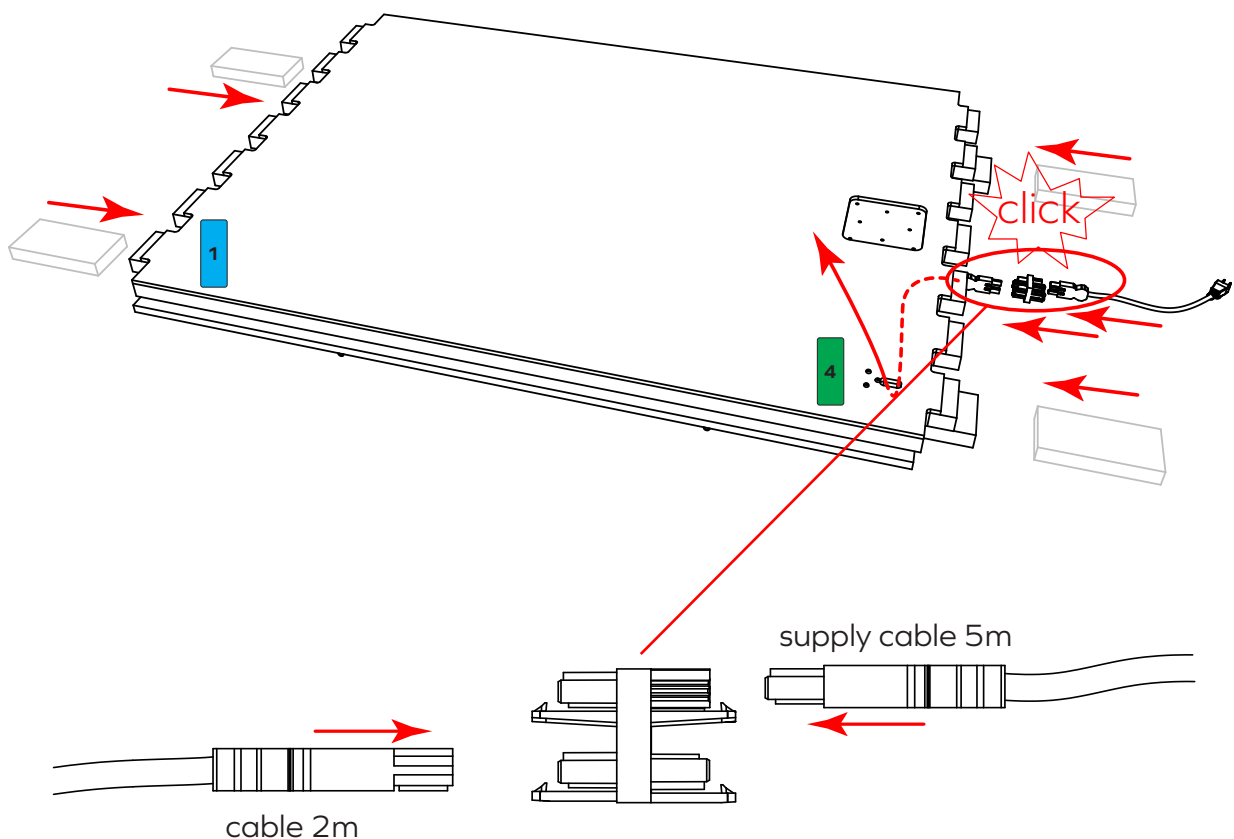
## Chatpod

Is required in addition to the scope of delivery:



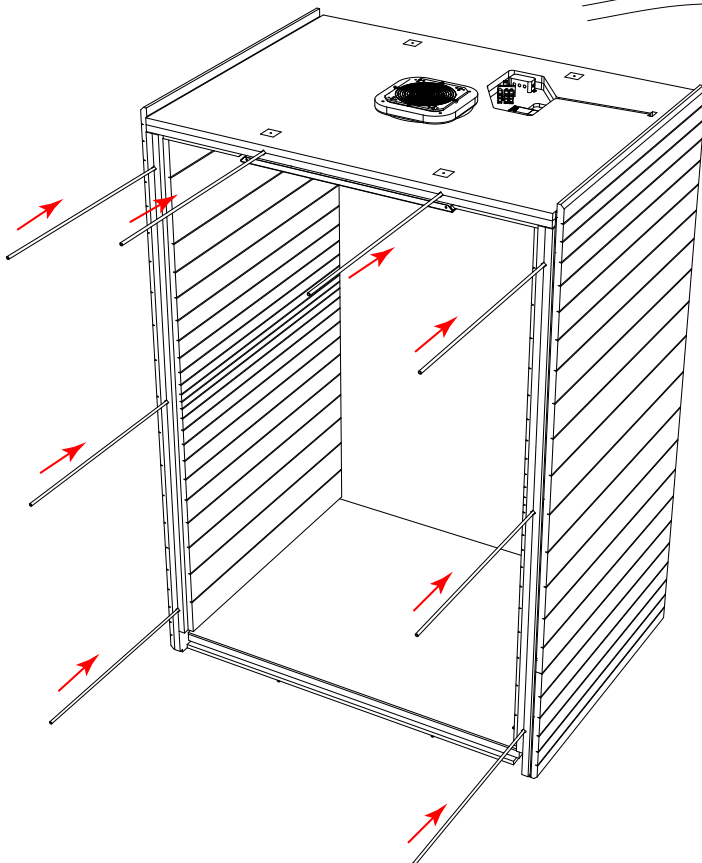
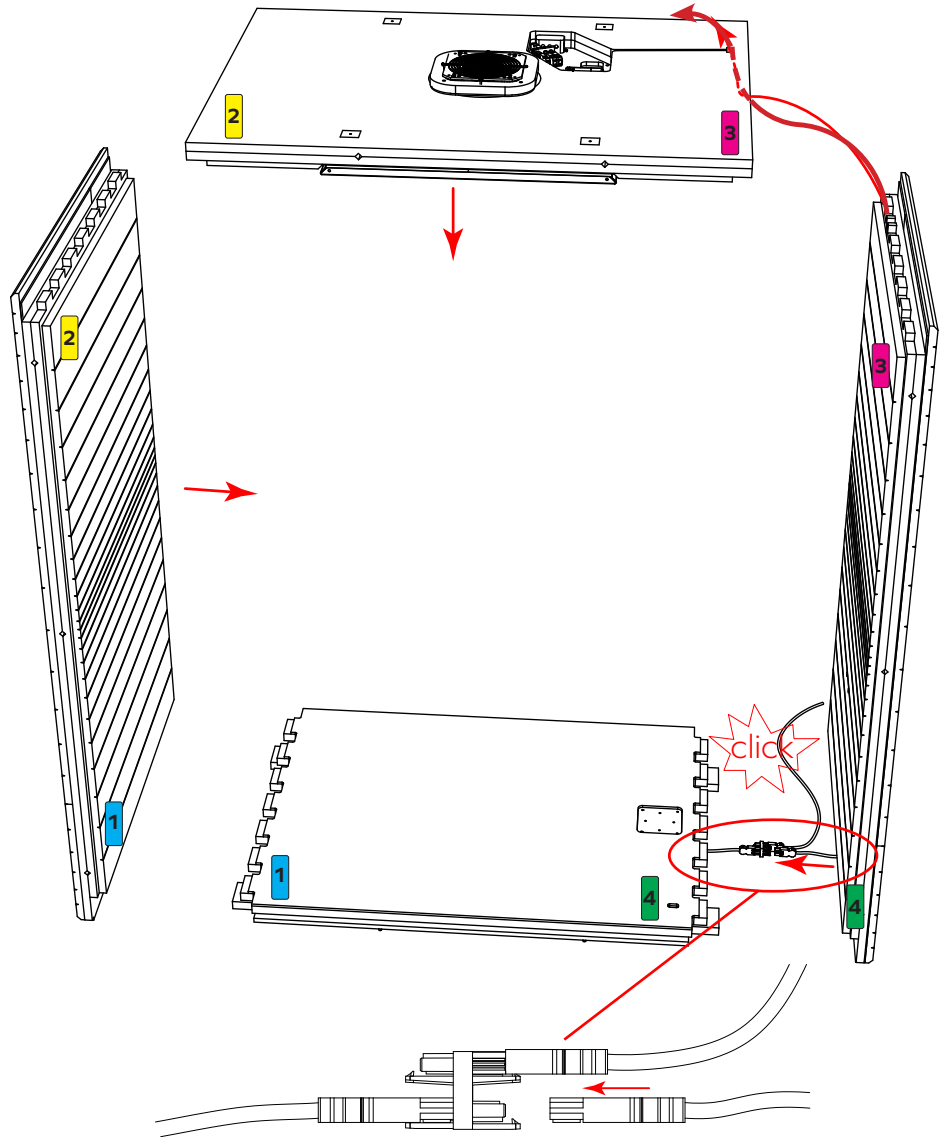
### 1

Place the honeycomb cardboard blocks under the cardboard supports of the base. Make sure that the bottom sits stably on the blocks and that the blocks protrude a few centimeter to the sides.



## 2

Insert the cable of the right side into the H-distributor. Place the two sides on the honeycomb blocks and tuck them into the bottom. This should go easily, if not, make sure the sides and bottom are aligned. Hold the sides until the top is assembled. Pin the top together with the sides, pull the cable through the top from the right side.

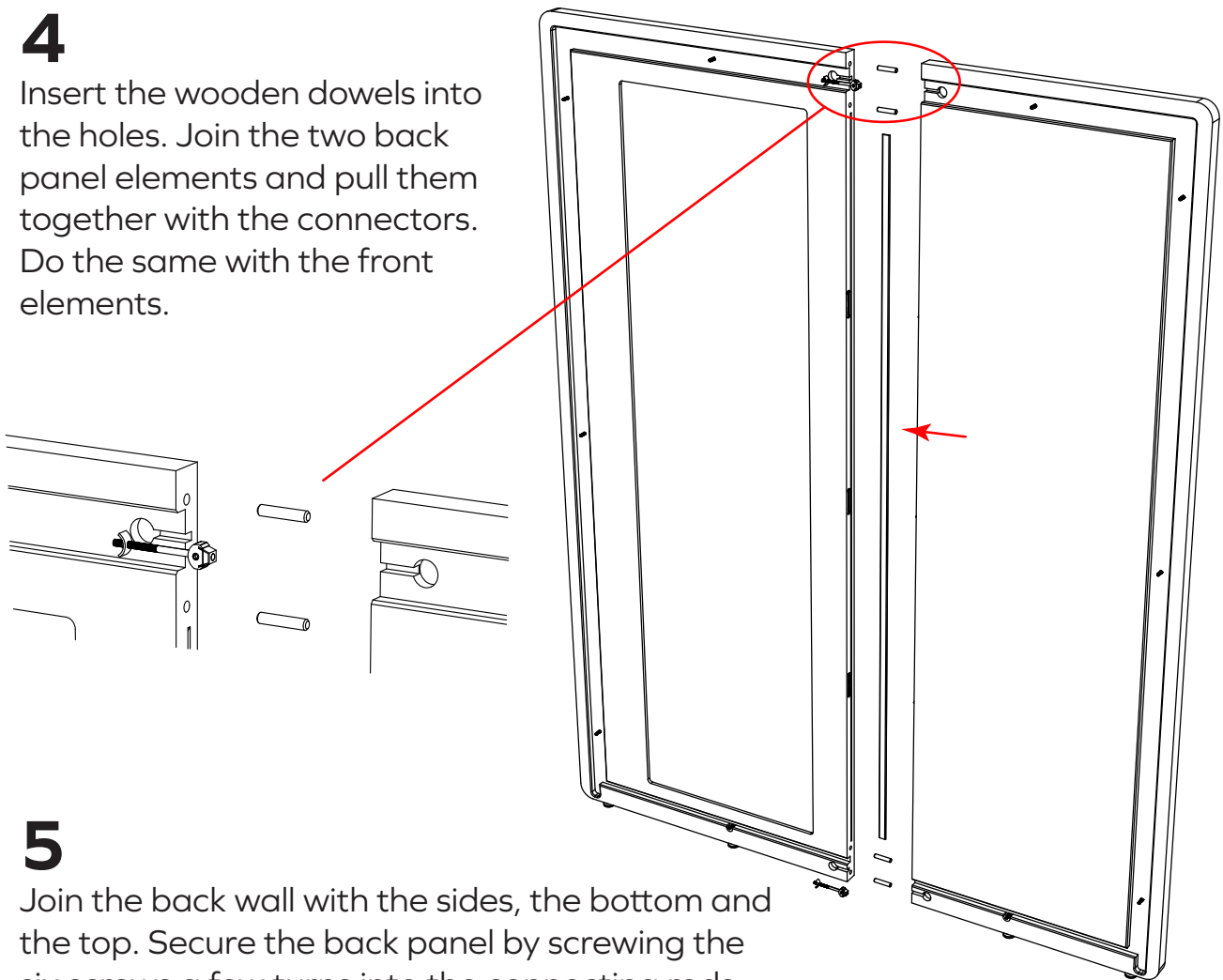


## 3

Insert the eight connecting rods.

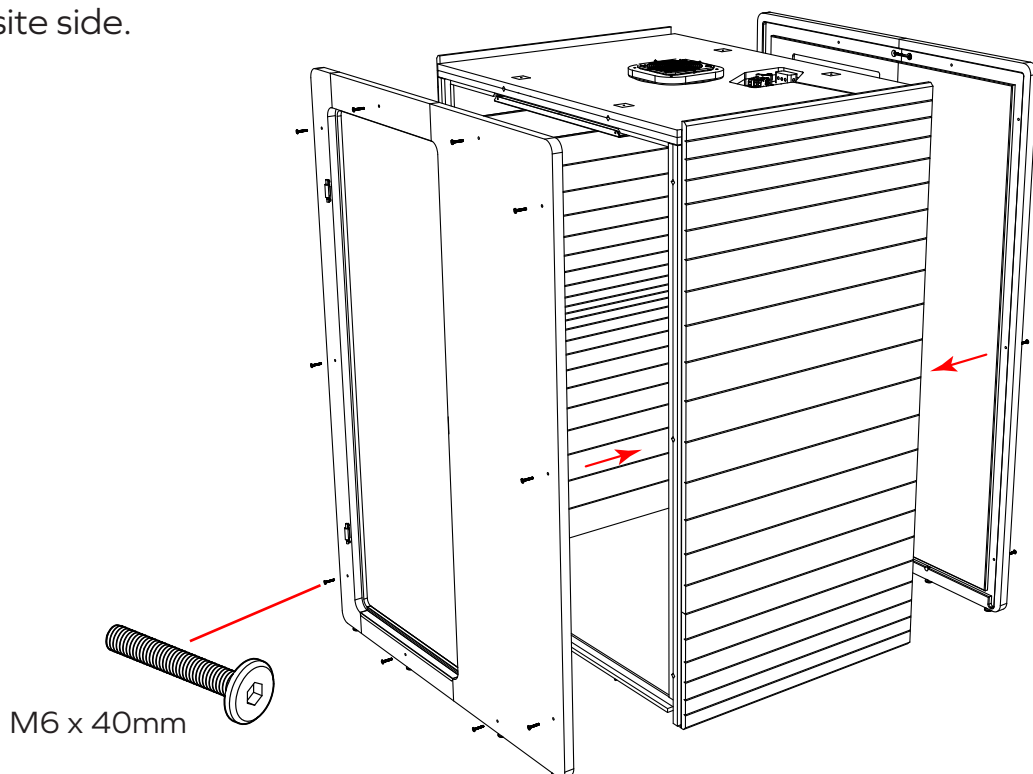
# 4

Insert the wooden dowels into the holes. Join the two back panel elements and pull them together with the connectors. Do the same with the front elements.



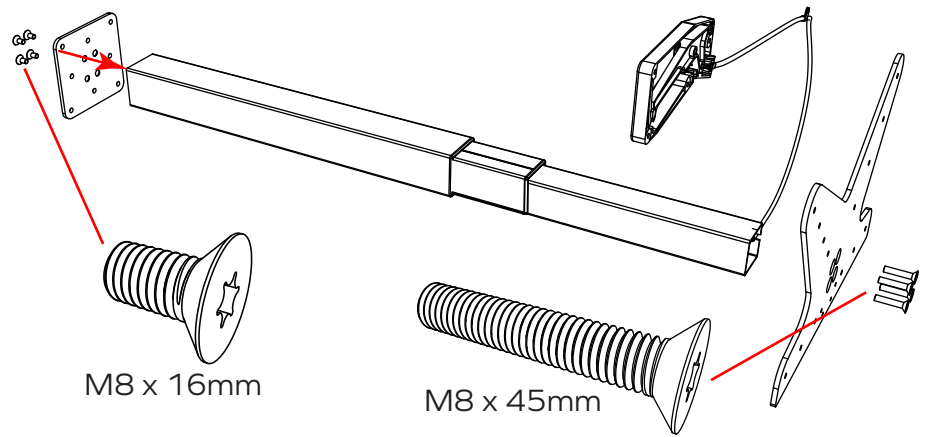
# 5

Join the back wall with the sides, the bottom and the top. Secure the back panel by screwing the six screws a few turns into the connecting rods. Do the same with the front. Now tighten all the screws, which must be countered on the opposite side.



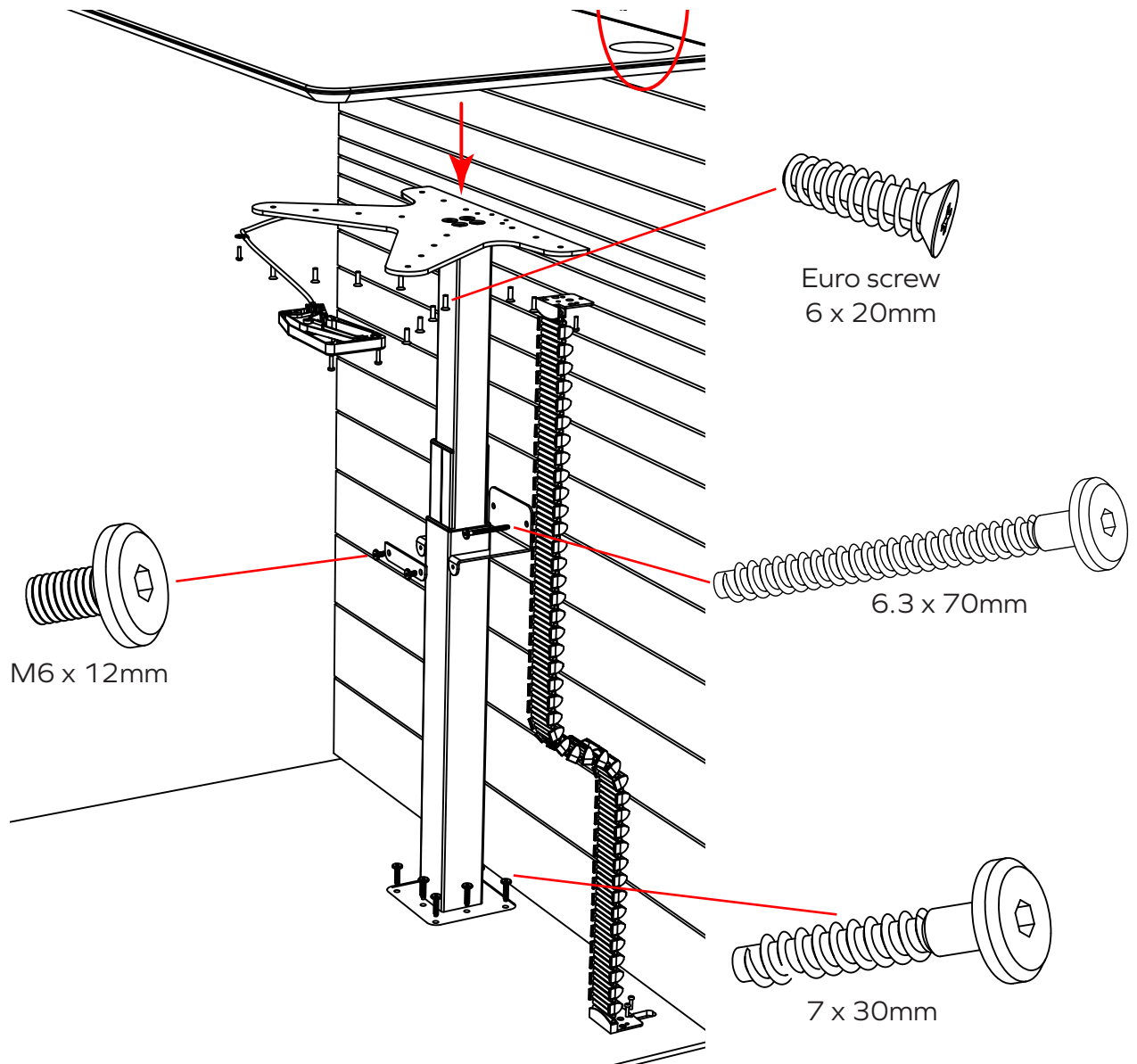
## 6

Screw the two steel plates to the table column. The screws must be tightened with 30Nm. The handle of the table column must not be operated until the table is completely assembled!



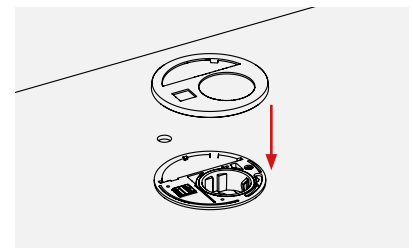
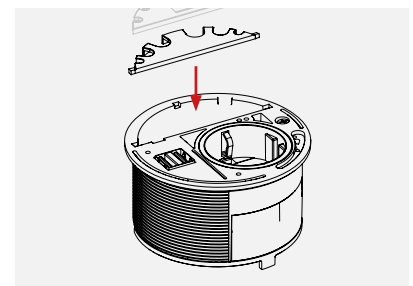
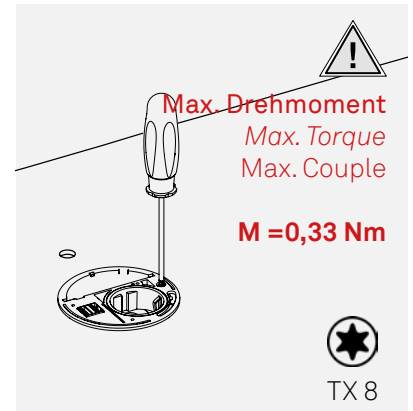
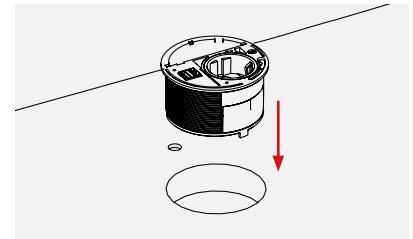
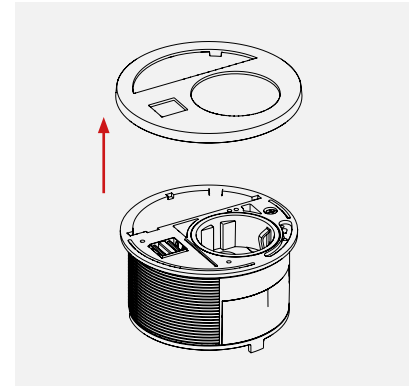
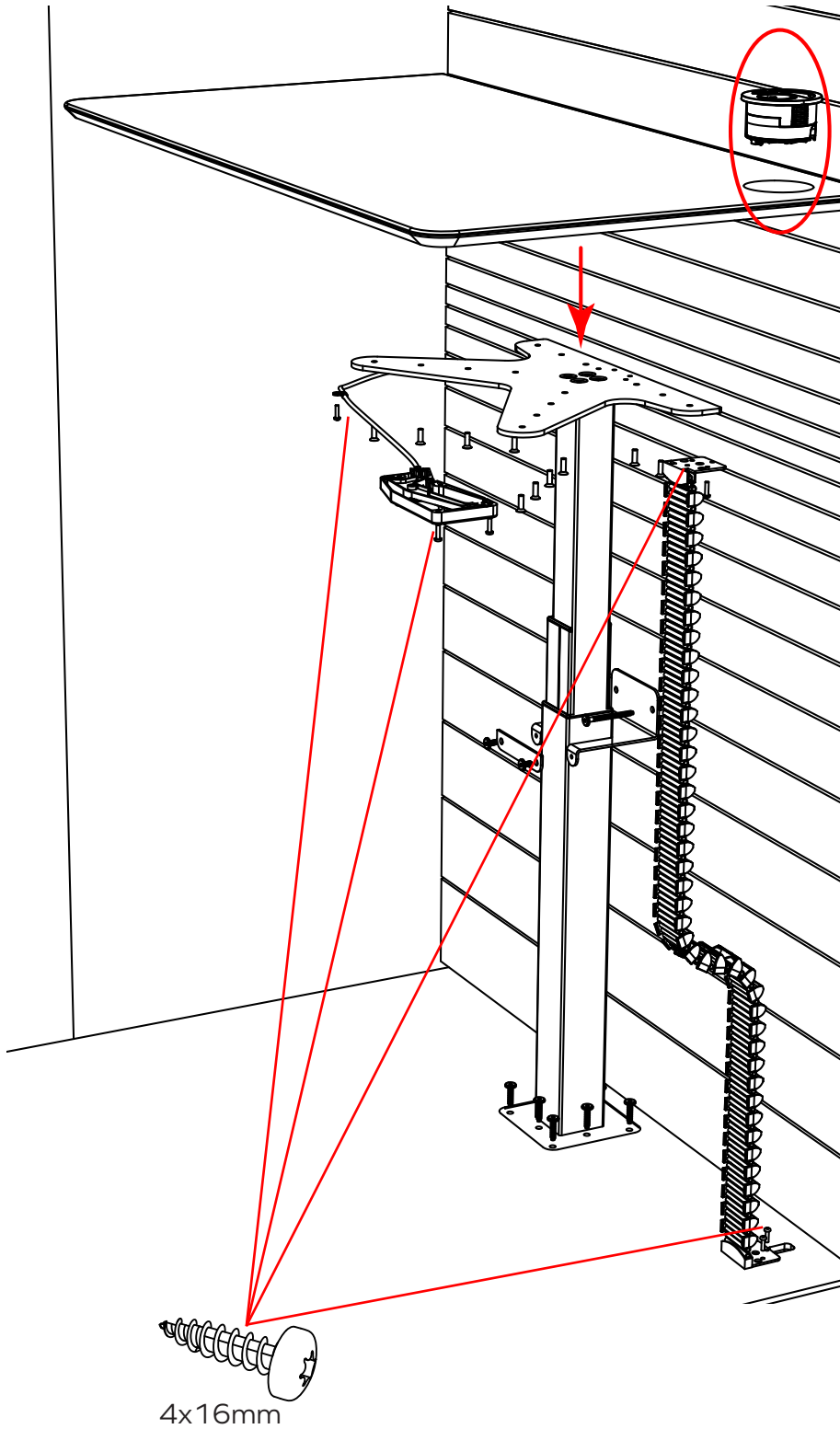
## 7

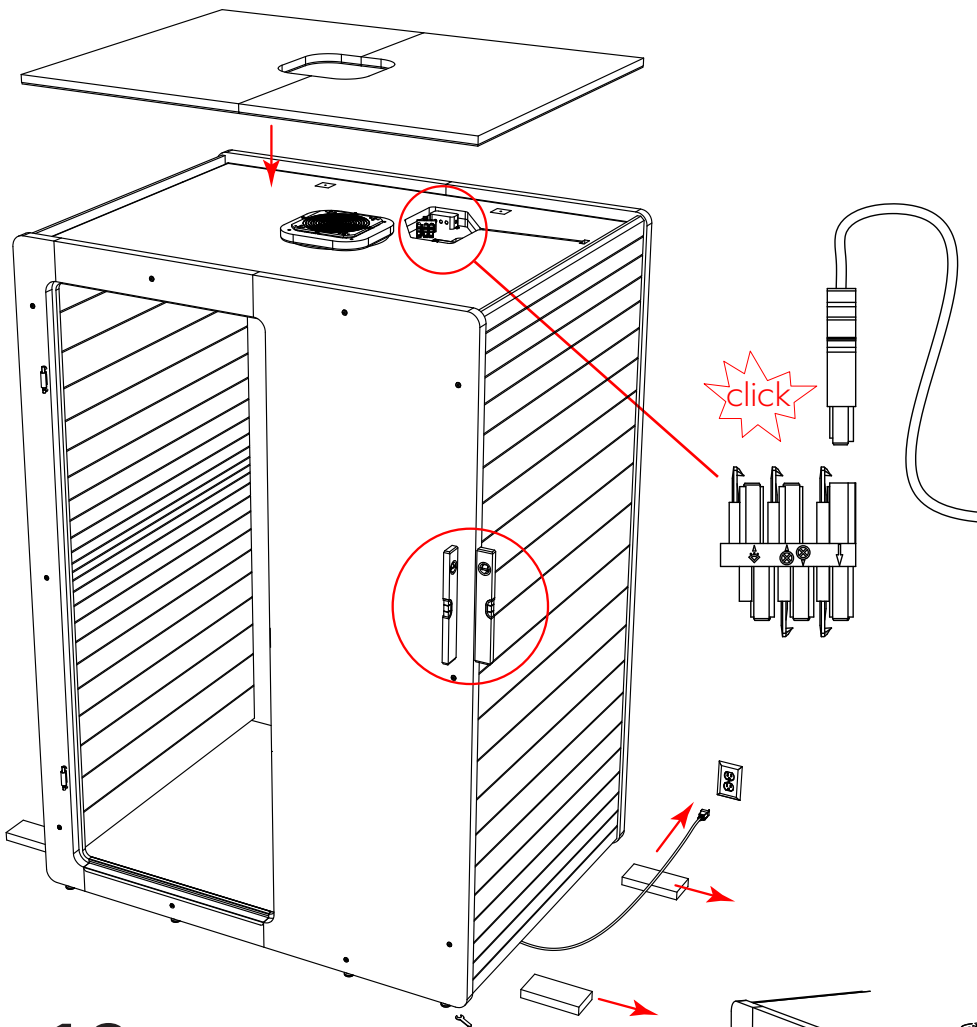
Screw the mounting plate to the side with the two 6.3x70mm screws. Screw the table column to the base with the eight 7x30mm screws. Fix the table column additionally with the sheet metal piece and the two M6x12mm screws.



# 8

Tighten the cable handle and the energy chain with the 4x16mm screws at the holes. Carefully loosen the cover of the socket. Connect the socket with the supply line. Insert the socket into the hole. Align it and tighten it. Position the insert and snap the cover back into place.



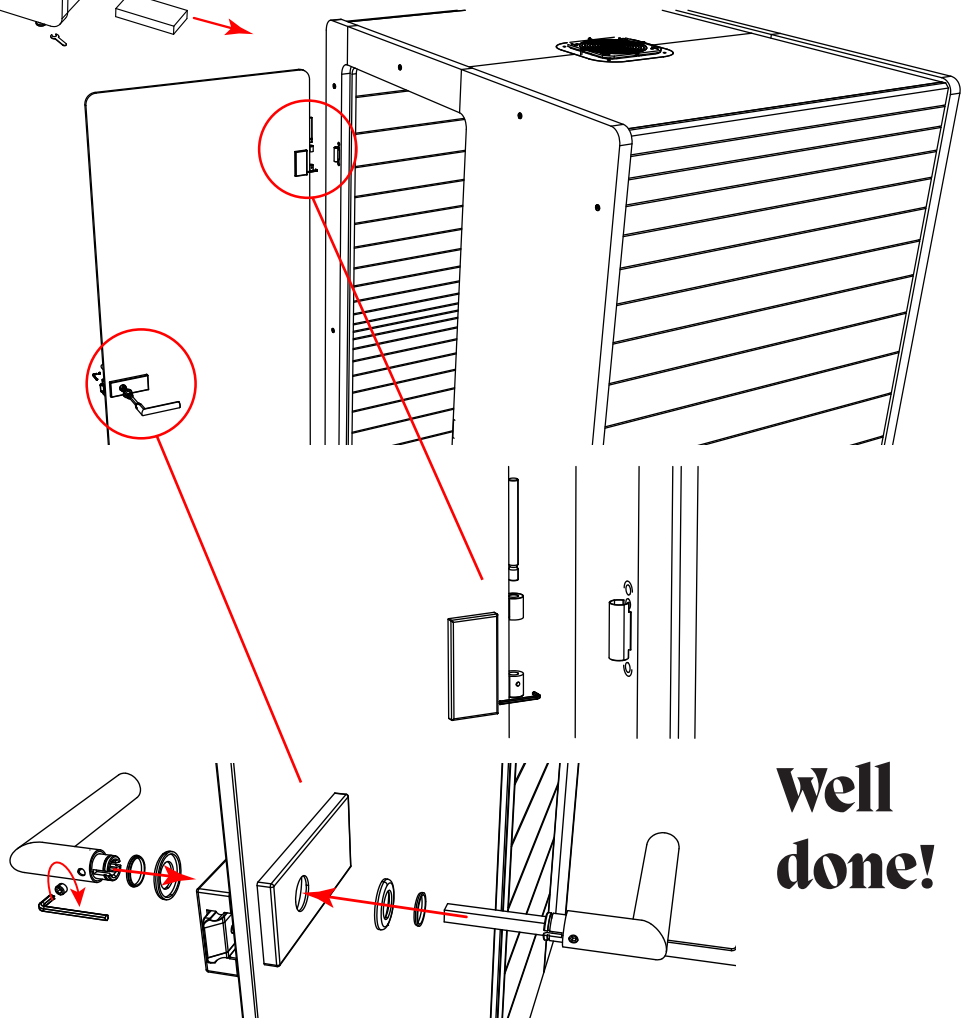


**9**

Remove the four honeycomb cardboard blocks. Align the chatpod using the four leveling feet. Insert the plug as shown. Place the two outer panels on the cover. Plug the power cord into the socket.

**10**

Mount the door and fix it with the two rods. Secure them with the set screws. Assemble the door handle in the following order: lock, metal washer, plastic washer, door handle. Press the two halves of the door handle together while tightening the stud screw with the 3 mm hex key. Make sure that the handle is mounted with the pre-mounted square pin in the inside of the chatpod.



**Well done!**