

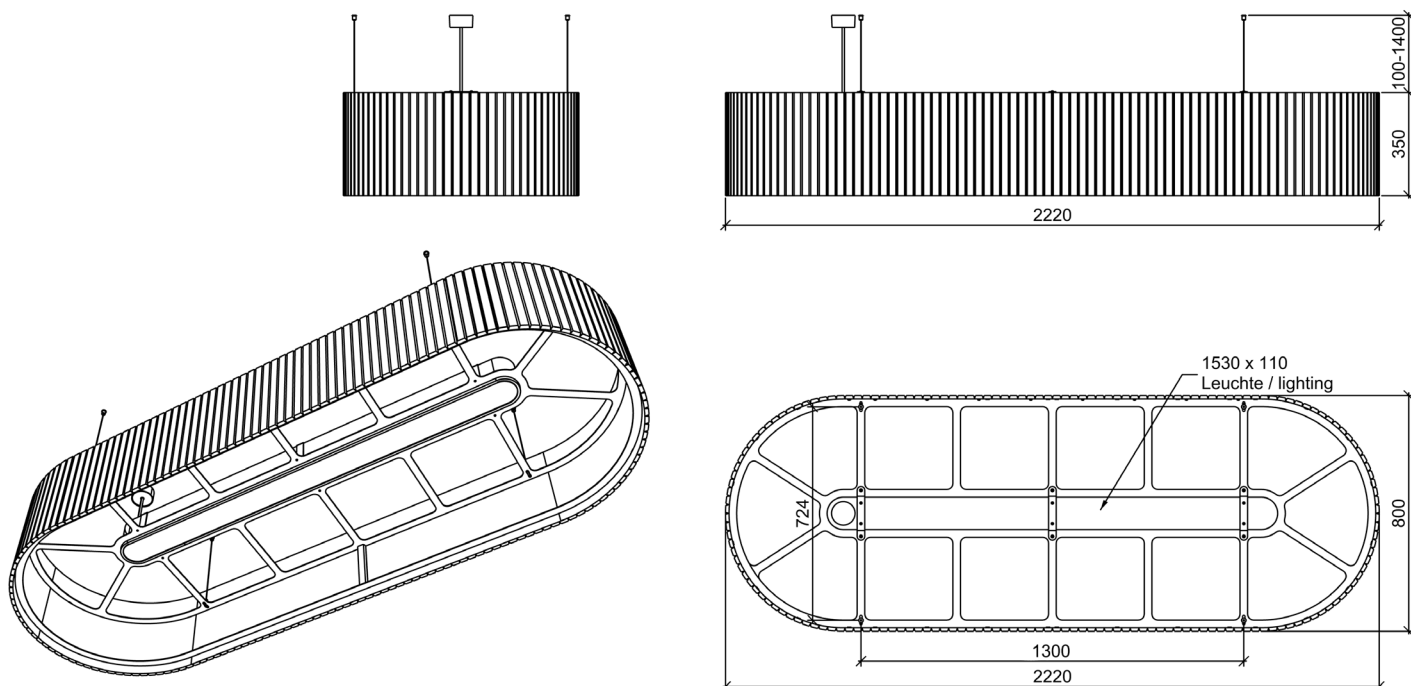
IMPACT ACOUSTIC®



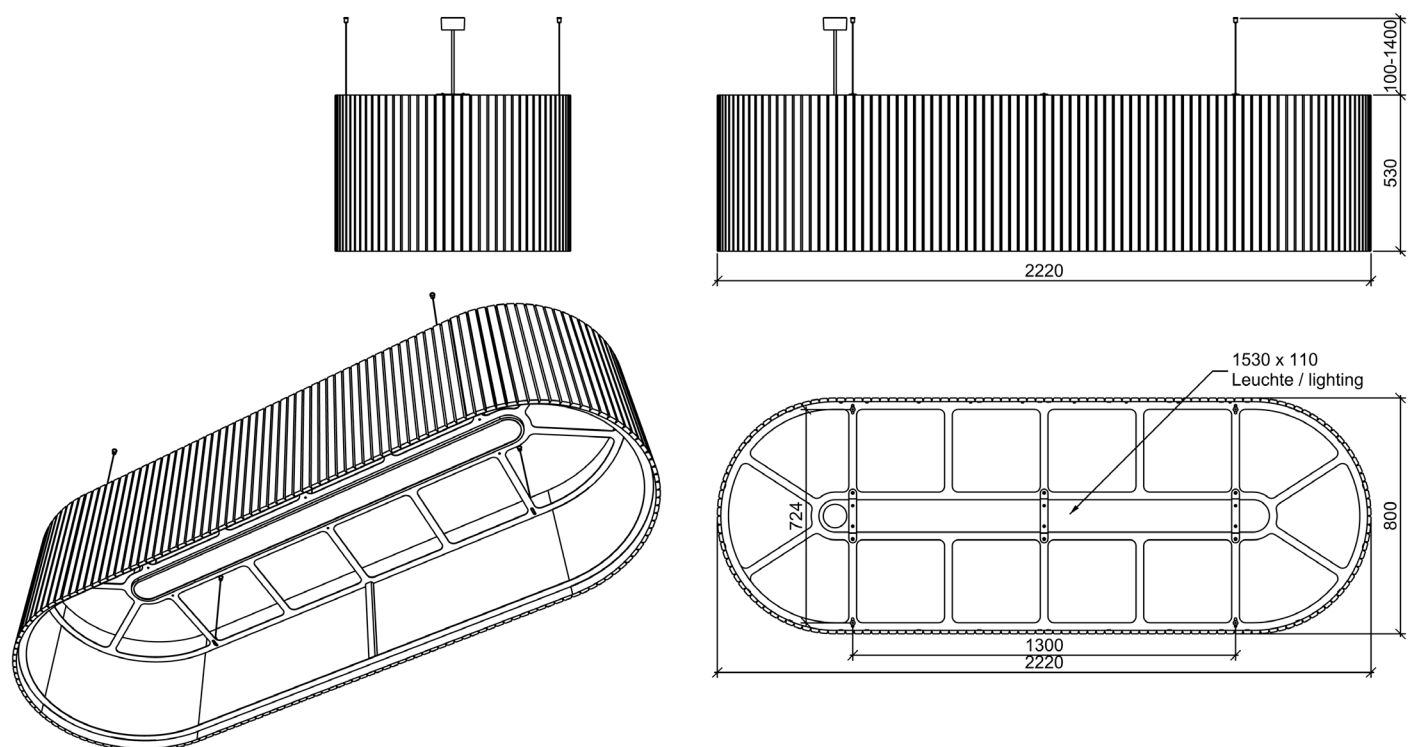
Assembly Instructions
Umbra

Dimensional Drawing

Umbra 722.24.12.000.00

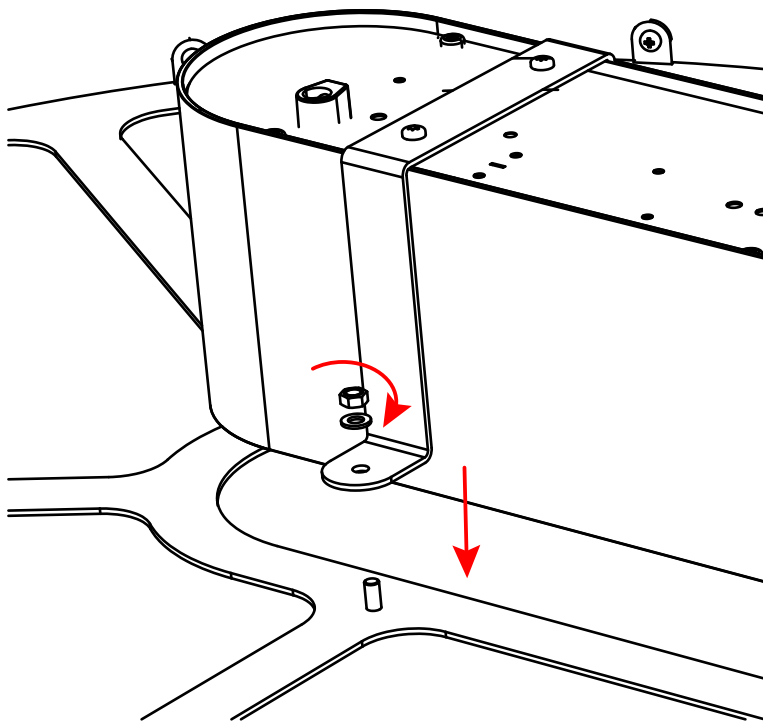
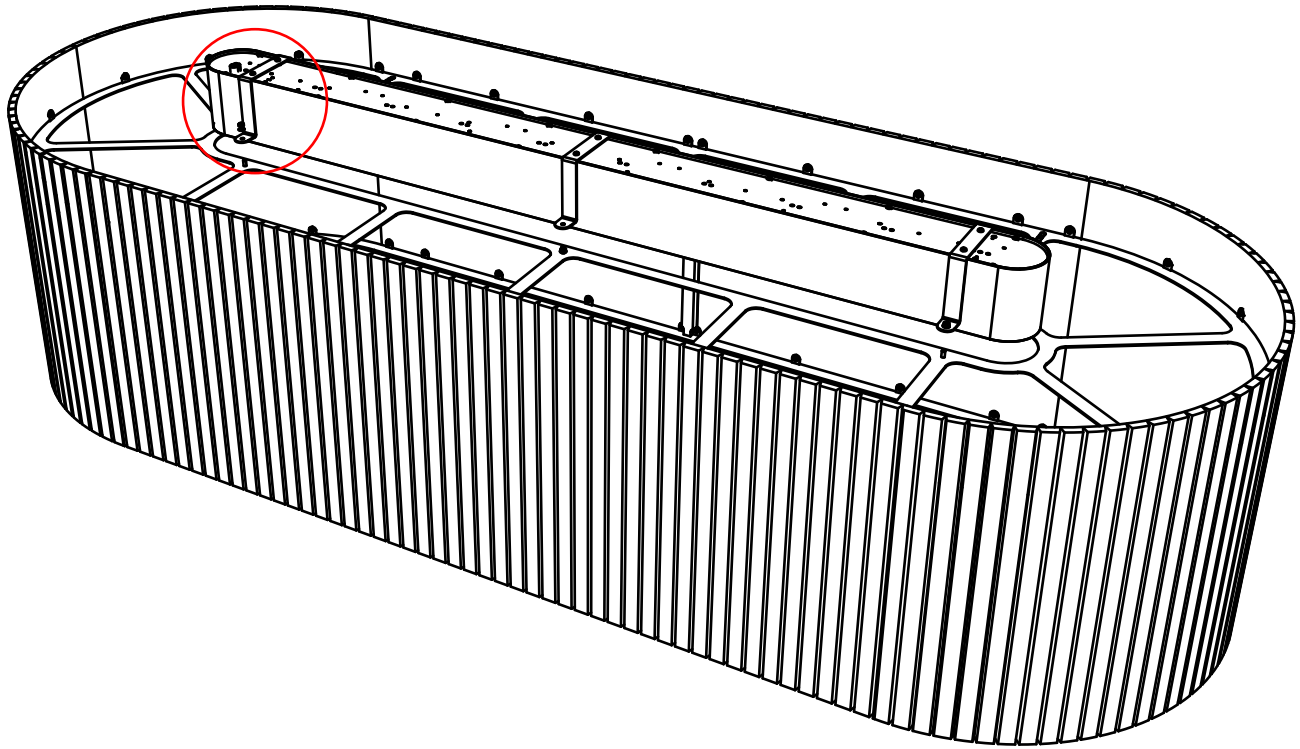


Umbra 722.24.12.000.00



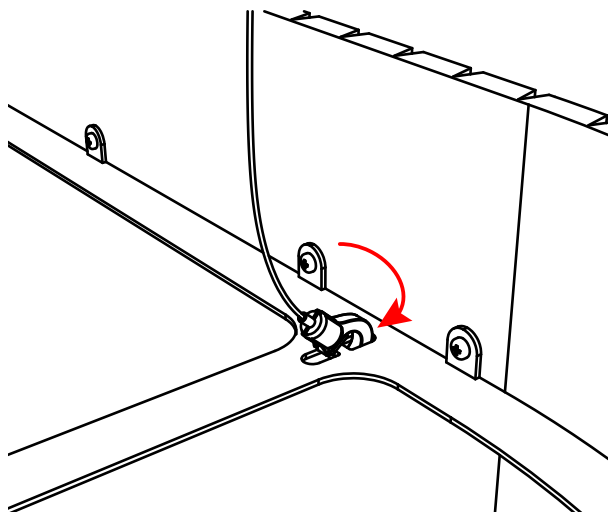
Step 1

Place the light module in the cutout of the lampshade. Then attach these two components with the washers and nuts.



Step 2

Mount the hangers on the ceiling as shown below. The positions can be found in the dimensional drawing on the second page. Then hang the luminaire on them.



The screws for ceiling mounting are not included. Either a M6 set screw, a M6 hanger bolt or a wood screw with a maximum diameter of 5mm can be used.

