

# BUSTER + PUNCH

LONDON

[ product. ]

## EXHAUST / TRACK / GRAPHITE / LINEAR

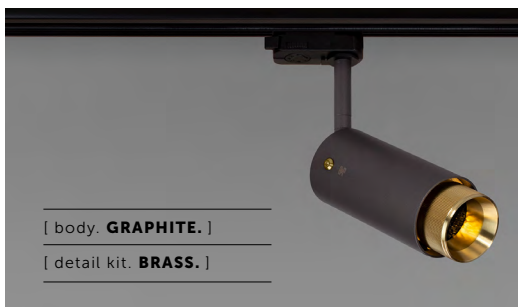
[ type. **TRACK SPOTLIGHT.** ]

[ knurl. **LINEAR.** ]

[ detail. **TORX SCREW.** ]

[ detail. **UNITED STATES & CANADA.** ]

A track spotlight with a powder coated metal body and solid metal detailing. The spotlight features our signature linear-knurl baffle and machined torx screws, both made from solid metal. The baffle captures light and creates a delicate metallic glow, whilst a honeycomb filter emits a precise, non-glare, directional spotlight. This spotlight is fully adjustable and comes with a single circuit H-style track adapter in black, compatible with Halo track. The spotlight fits a GU10 bulb.



# BUSTER + PUNCH

LONDON

[ product. ]

## EXHAUST / TRACK / STONE / LINEAR

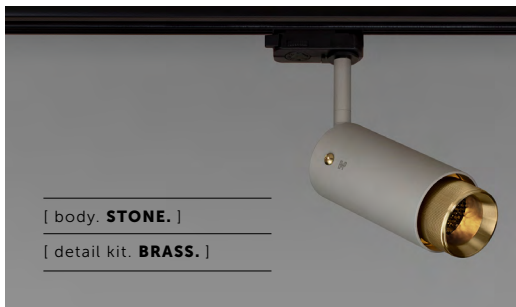
[ type. **TRACK SPOTLIGHT.** ]

[ knurl. **LINEAR.** ]

[ detail. **TORX SCREW.** ]

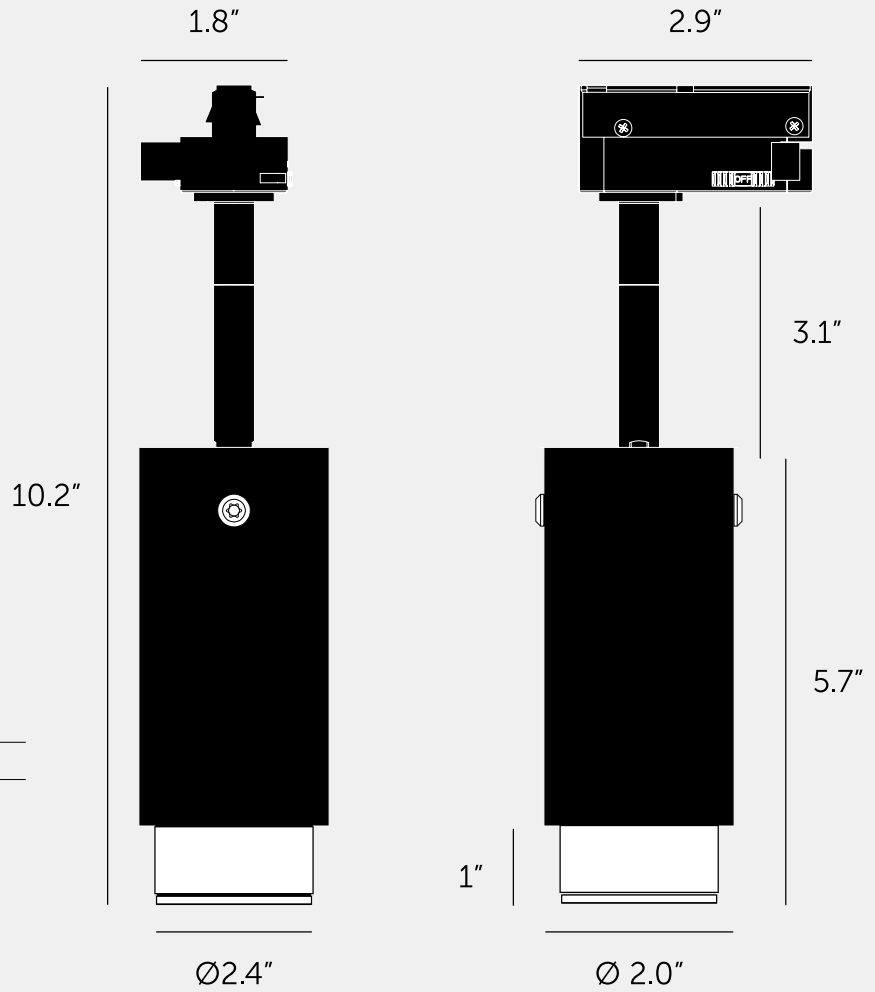
[ detail. **UNITED STATES & CANADA.** ]

A track spotlight with a powder coated metal body and solid metal detailing. The spotlight features our signature linear-knurl baffle and machined torx screws, both made from solid metal. The baffle captures light and creates a delicate metallic glow, whilst a honeycomb filter emits a precise, non-glare, directional spotlight. This spotlight is fully adjustable and comes with a single circuit H-style track adapter in black, compatible with Halo track. This spotlight fits a GU10 bulb.



[ type. **TRACK SPOTLIGHT.** ]

[ info. **MEASUREMENTS.** ]



[ info. **SPECIFICATIONS.** ]

Track spotlight  
GU10 / 110-120VAC / Dry Locations  
Max 1 x 9W LED GU10 bulb  
**\*Bulb sold separately**  
cULus certified / Class 1

[ info. **COMPATIBILITY.** ]

Exhaust track spotlight uses a single circuit H-style adapter.  
Compatible with Halo Track.

[ info. **FINISH & SKU NUMBERS.** ]

[ body. <b>FINISH.</b> ]	[ sku. ]
● Graphite	NSH-17705
● Stone	NSH-21706
[ detail kit. <b>FINISH.</b> ]	[ sku. ]
● Steel	NBB-07689
● Burnt Steel	NBB-36796
● Brass	NBB-05688
● Gun Metal	NBB-35690

[ info. **CARE INSTRUCTIONS.** ]

Wipe with damp cloth with no loose hairs, avoid using any chemicals. Please note all finishes are prone to aging.

[ info. **ALSO INCLUDED.** ]

- 1 x Honeycomb Filter
- \* The following come in separate boxes:
  - 1 x Baffle
  - 2 x Torx Screws

