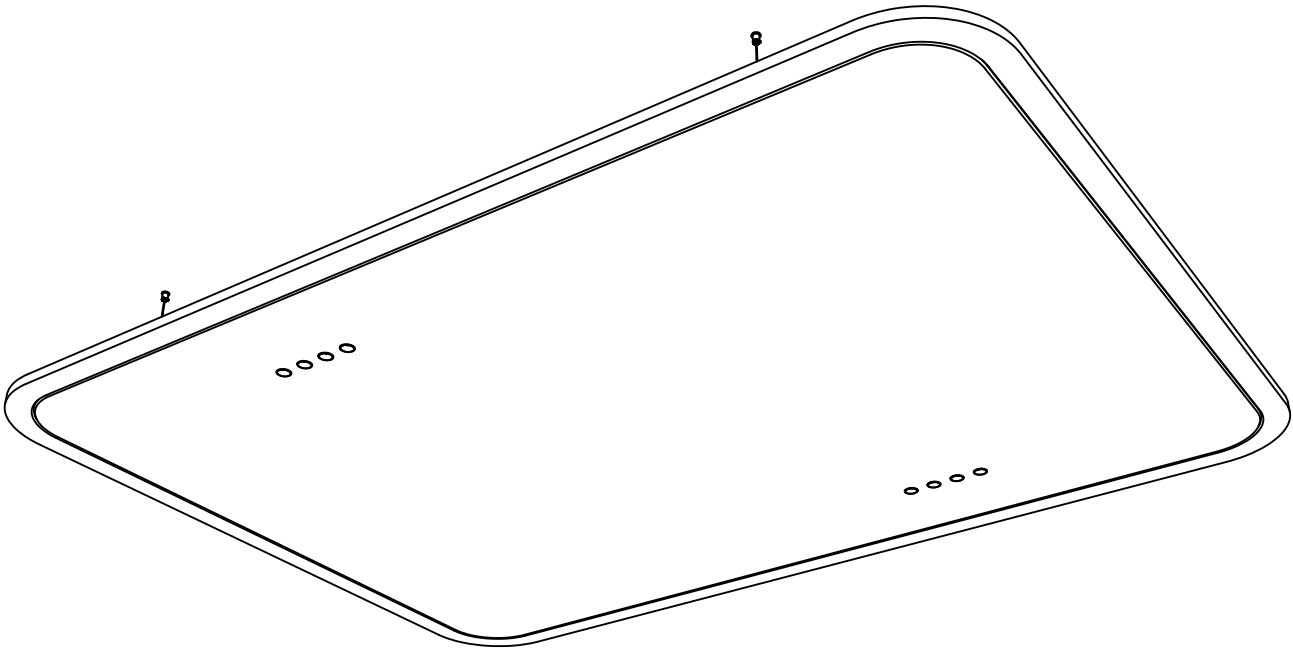


assembly instructions

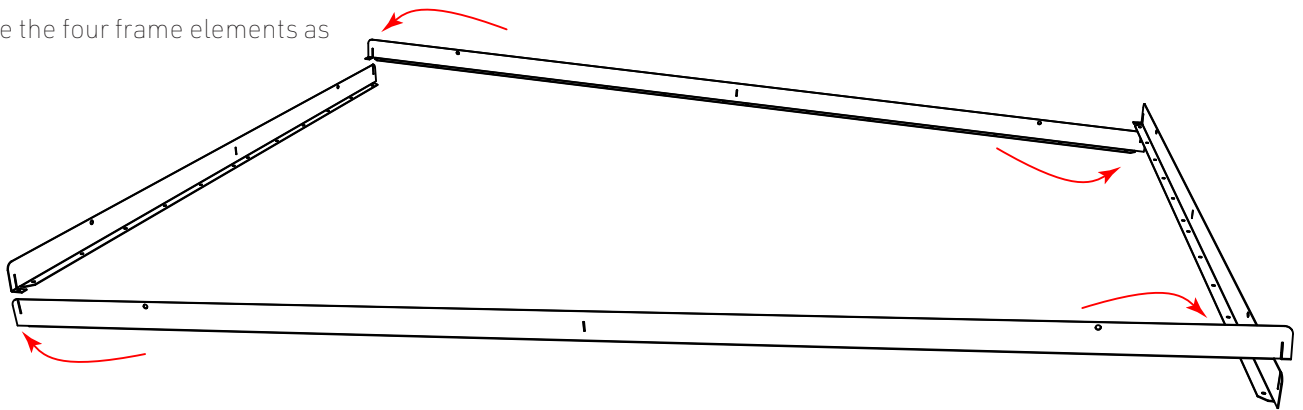
Focus Acoustic Lighting



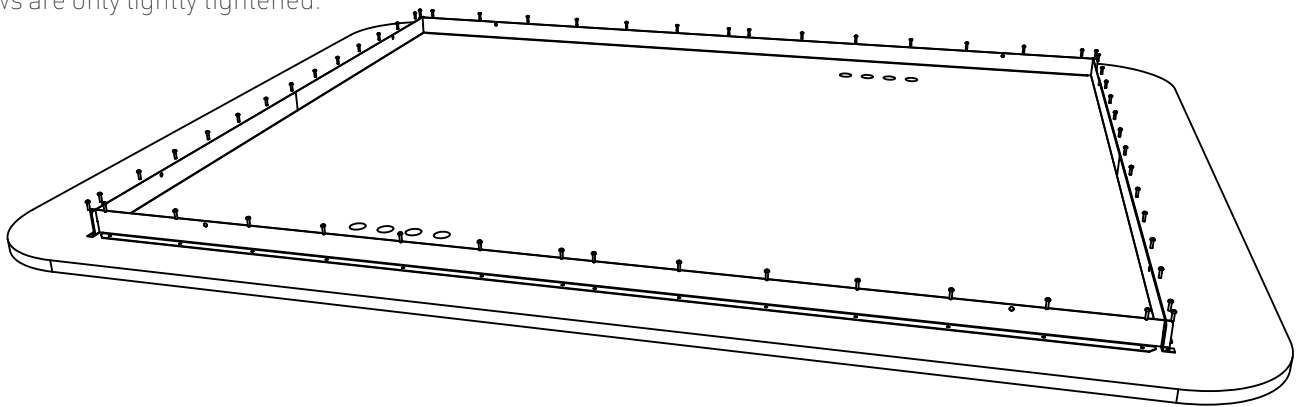
Focus

assembly instructions

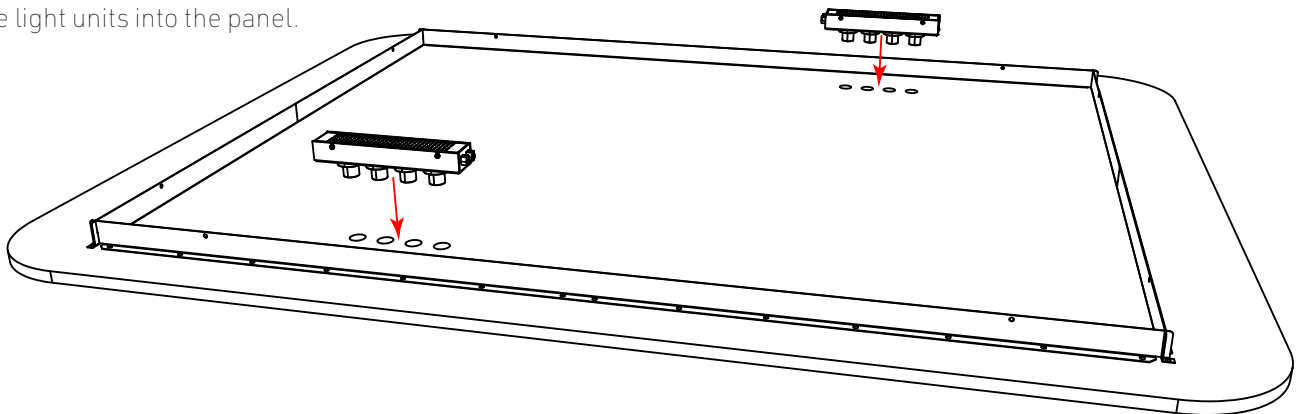
1. Assemble the four frame elements as shown.



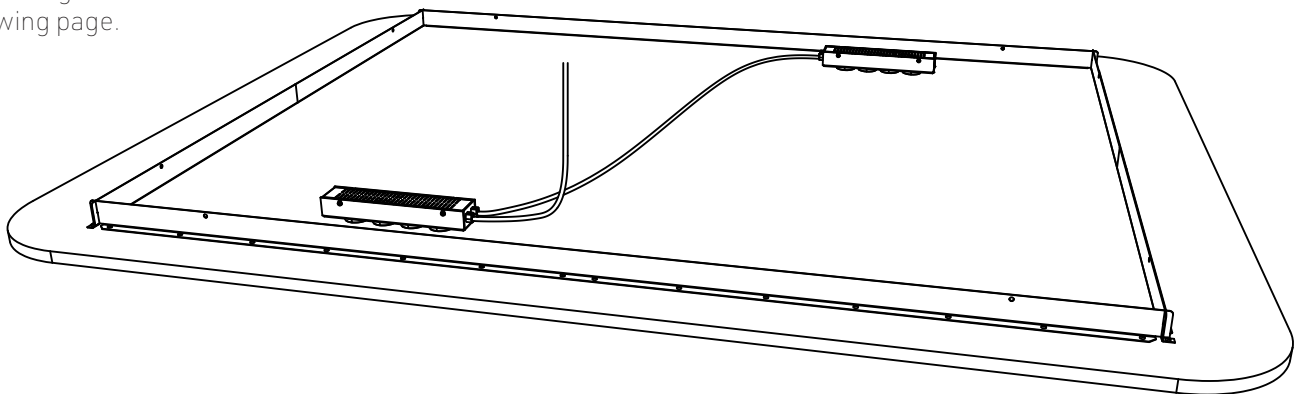
2. Center the frame and screw it on with the screws provided. Make sure that the screws are only lightly tightened.



3. Insert the light units into the panel.



4. Connect the light inserts as shown on the following page.

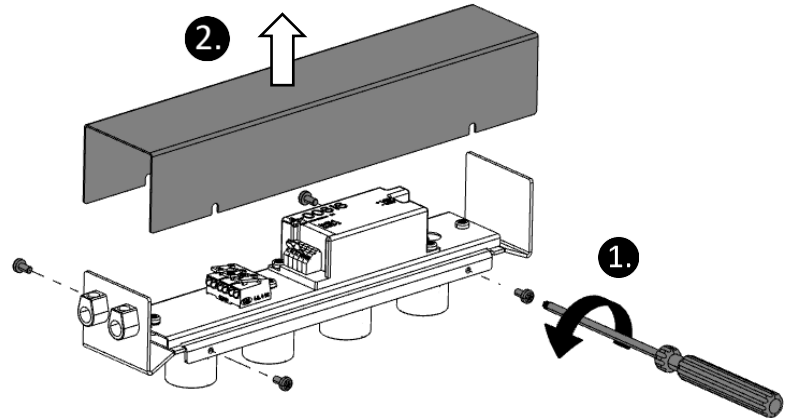


Focus

assembly instructions

4a.

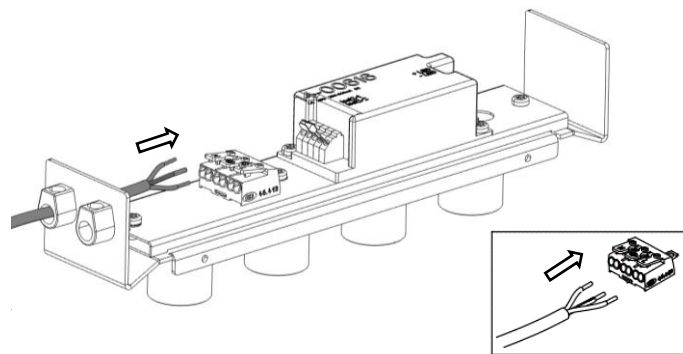
Loosen the screws of the lamp housing and remove it.



4b.

Attention! Turn off power before installation!

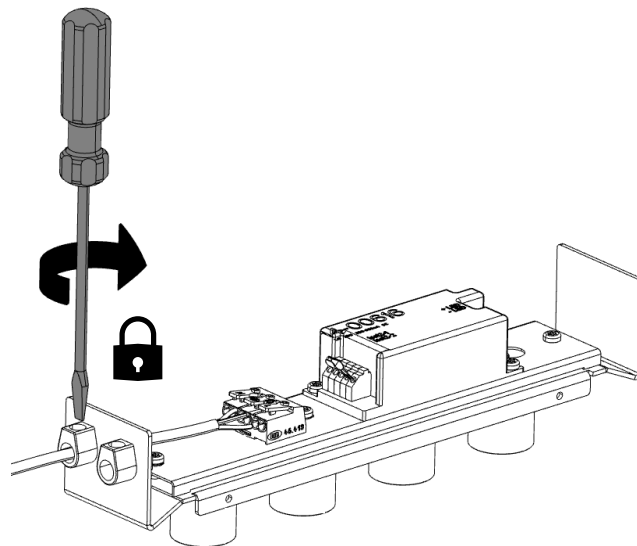
Lead the cable through the strain relief and connect it to the cable clamp.



4c.

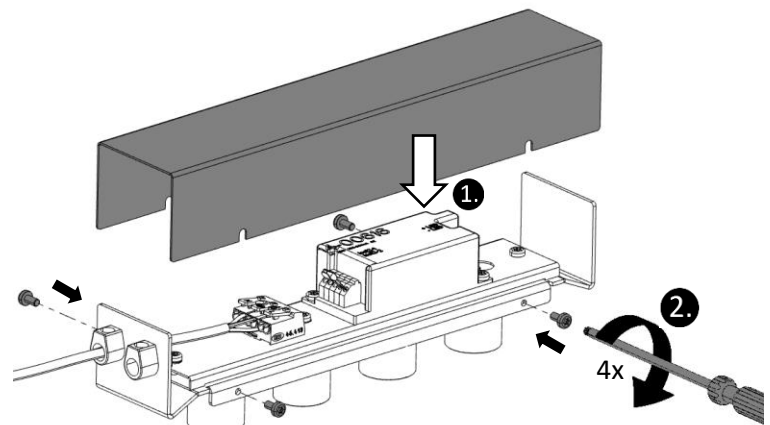
Tighten the strain relief.

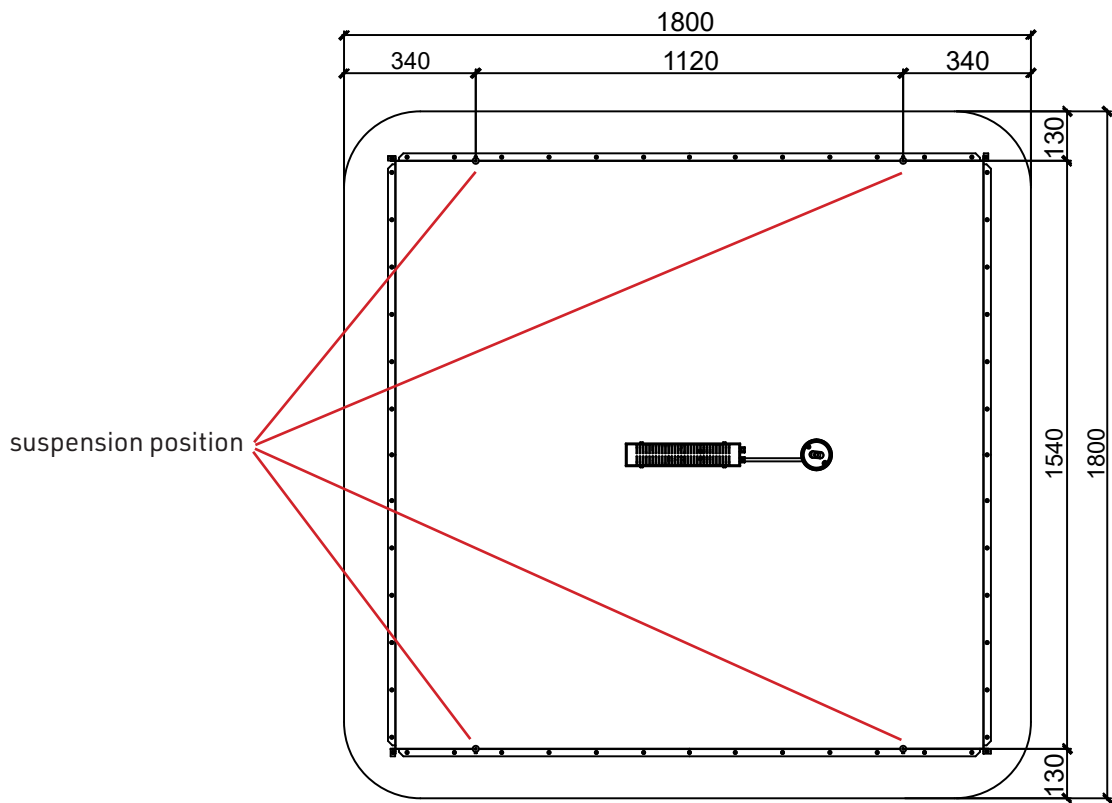
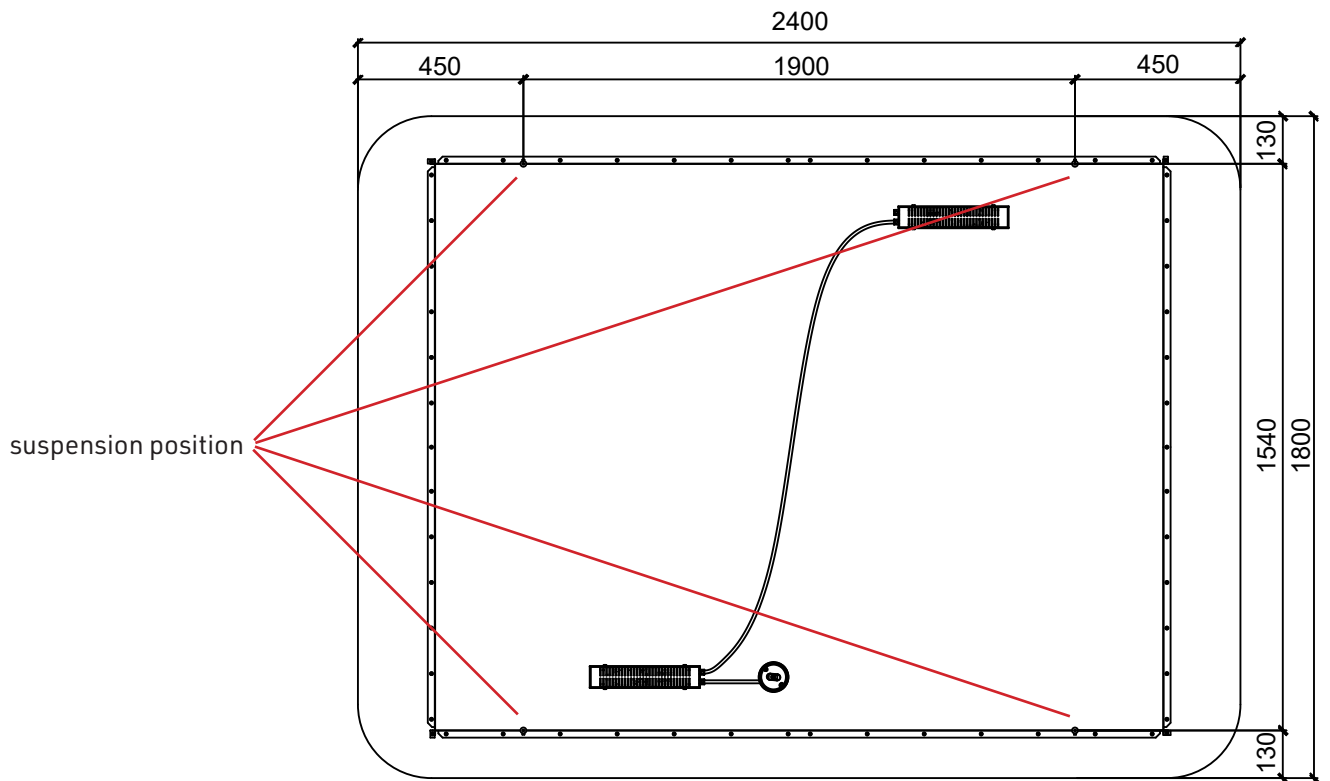
For the Focus 2400 x 1800, one wire is looped from one luminaire insert to the other.



4d.

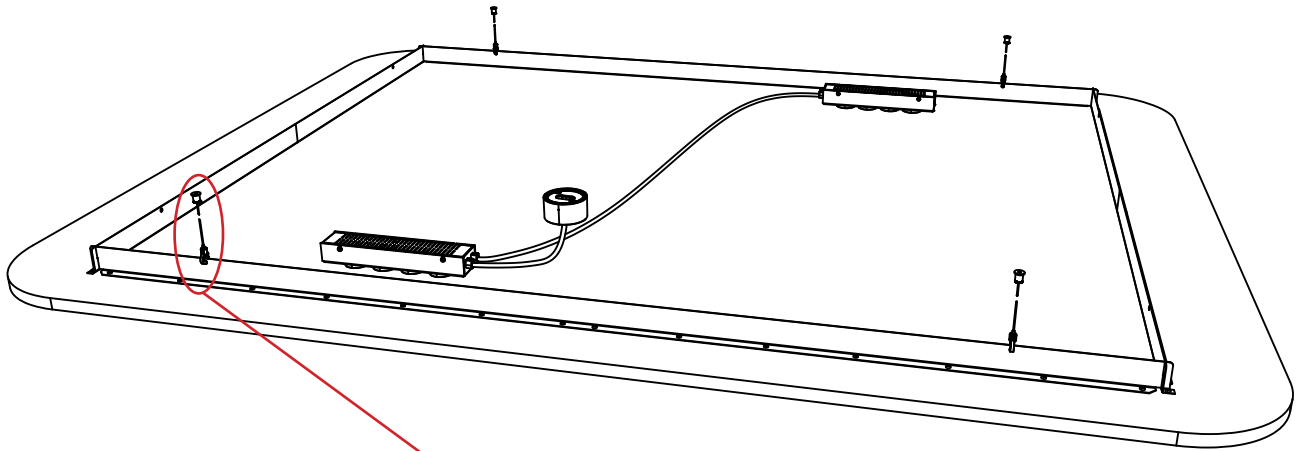
Replace the lamp housing and tighten the screws.



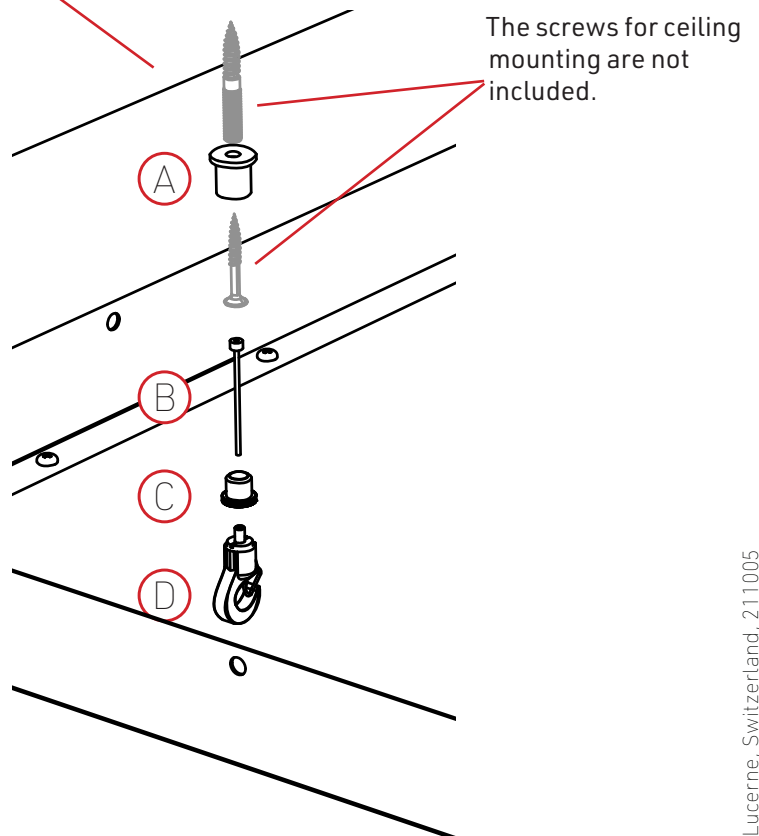


Focus

assembly instructions



5. Mount the suspension kits (A, B, C) to the ceiling using suitable.
6. Fix the hook gripper (D) to the wire rope.
7. Hang the luminaire on the hangers.
8. The wire ropes can be shortened, but they should but should protrude at least 30 mm.

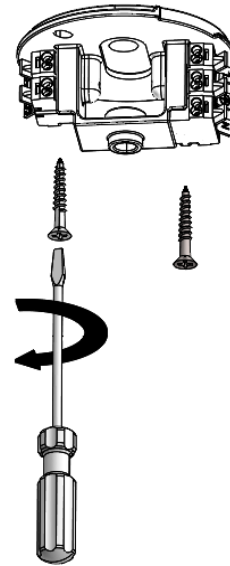


Focus

assembly instructions

9.

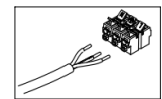
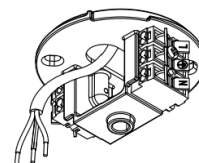
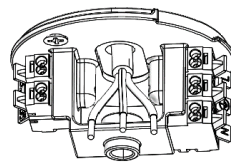
Mount the baldachin to the ceiling.



10.

Attention! Turn off power before installation!

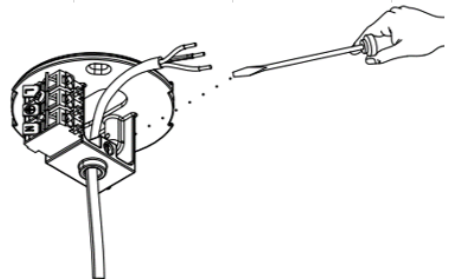
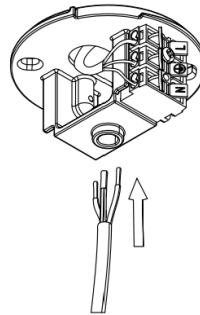
Connect the supply line to the connector.



230V 50Hz.

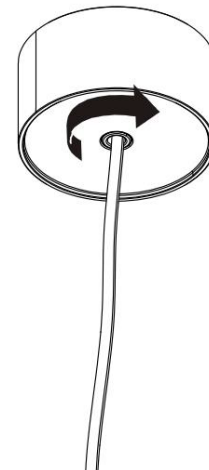
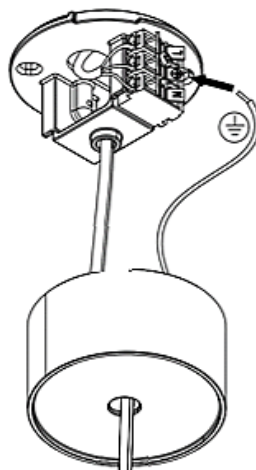
11.

Guide the cable of the Focus light inserts through the strain relief and tighten it.



12.

Insert the ground cable into the cable clamp and tighten the baldachin.



- Installation and commissioning only through authorised qualified personnel.
- Modifications or overhauling to luminaires or lighting components only with the written consent of Impact Acoustic.
- The light source contained in this luminaire shall only be replaced by the manufacturer or his agent or a similarly qualified person.
- Turn off power before working.
- Power connection only through the build-in resp. enclosed clamps.
- Luminaires and illuminants may not be disposed of as household waste. They have to be submitted to the default local recycling process.
- It is very important to use the glove provided while mounting the light fixture