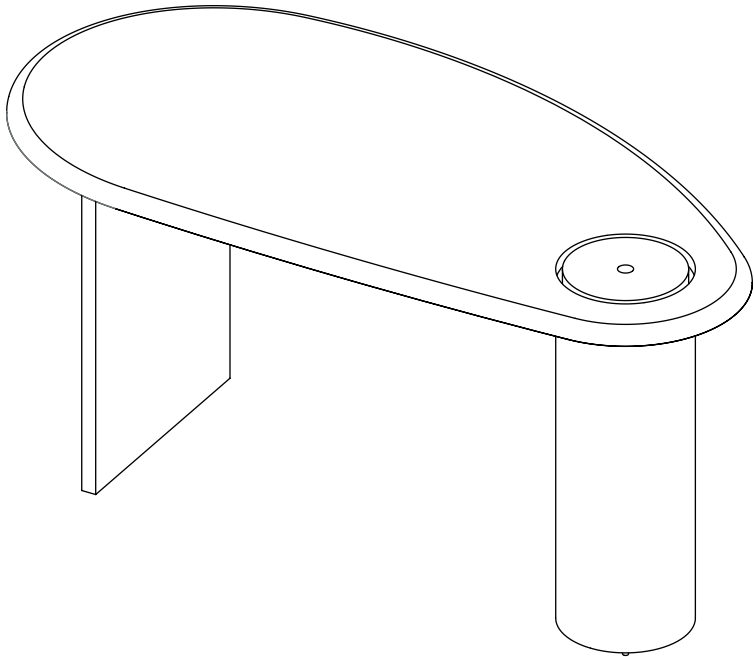


# Audo

COPENHAGEN



THE ECLIPSE DESK  
Designed by *Fred Rigby Studio*

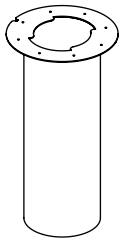
Congratulations on your new THE ECLIPSE DESK  
designed by *Fred Rigby Studio*.

We hope you will enjoy using this item and follow  
these instructions to ensure correct assembly. These  
instructions are provided for your safety.

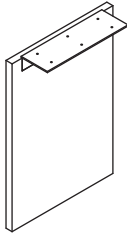
It is important that the instructions are read carefully  
and completely before assembling.

---

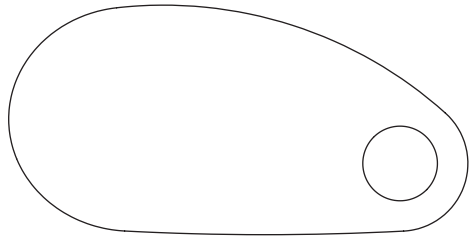
## Component Overview



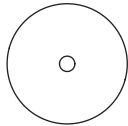
1 x Column



1 x Leg



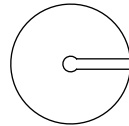
1 x Tabletop



1 x Lid



14 x Screws



1 x Shelf

---

### *Caution*

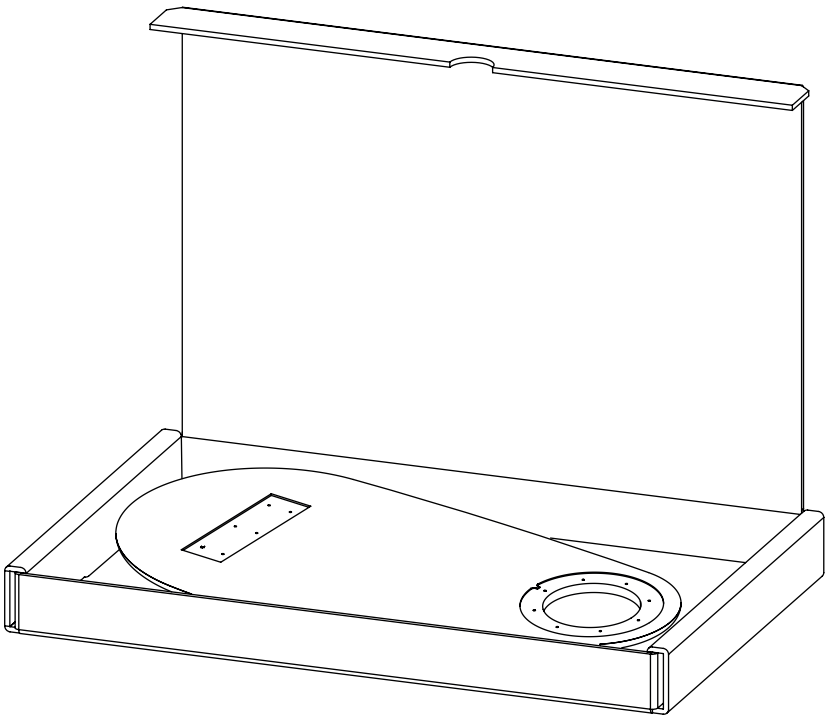
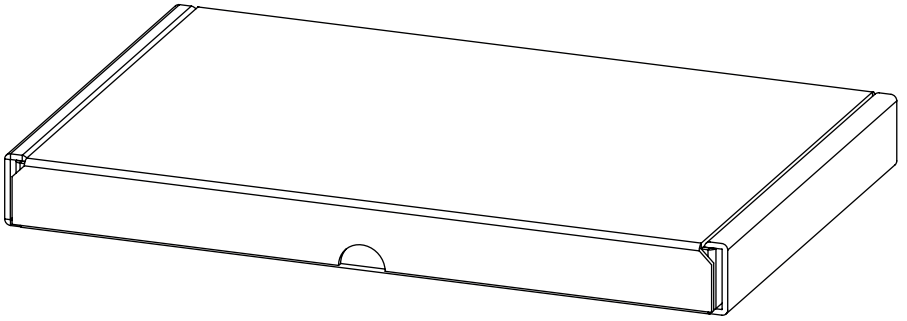
Please ensure that all assembly is done on a soft and flat surface, to ensure that the components will not be damaged/scratched. During assembly of the base, loosely tighten screws. When all screws are in place, you may then tighten the screws completely.

---

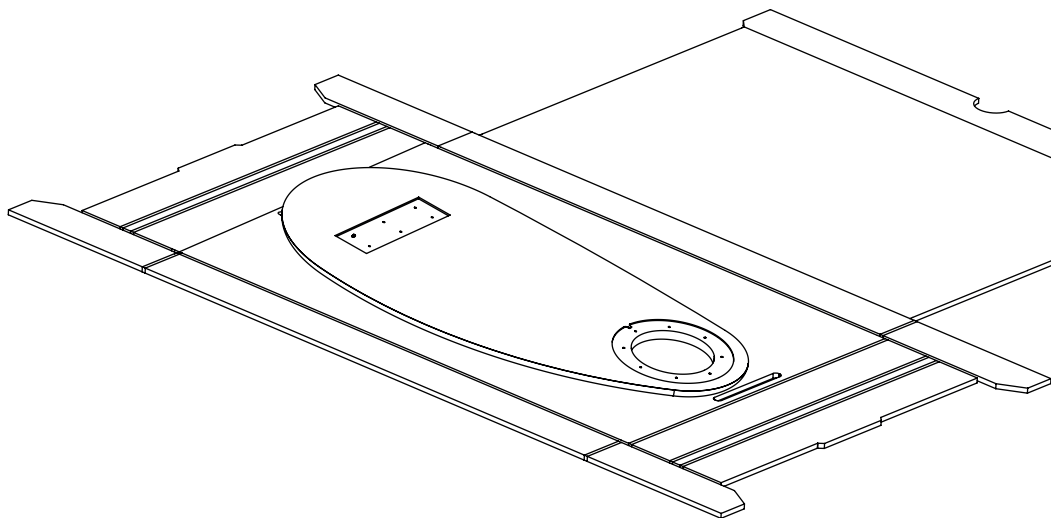
### *Care and maintenance*

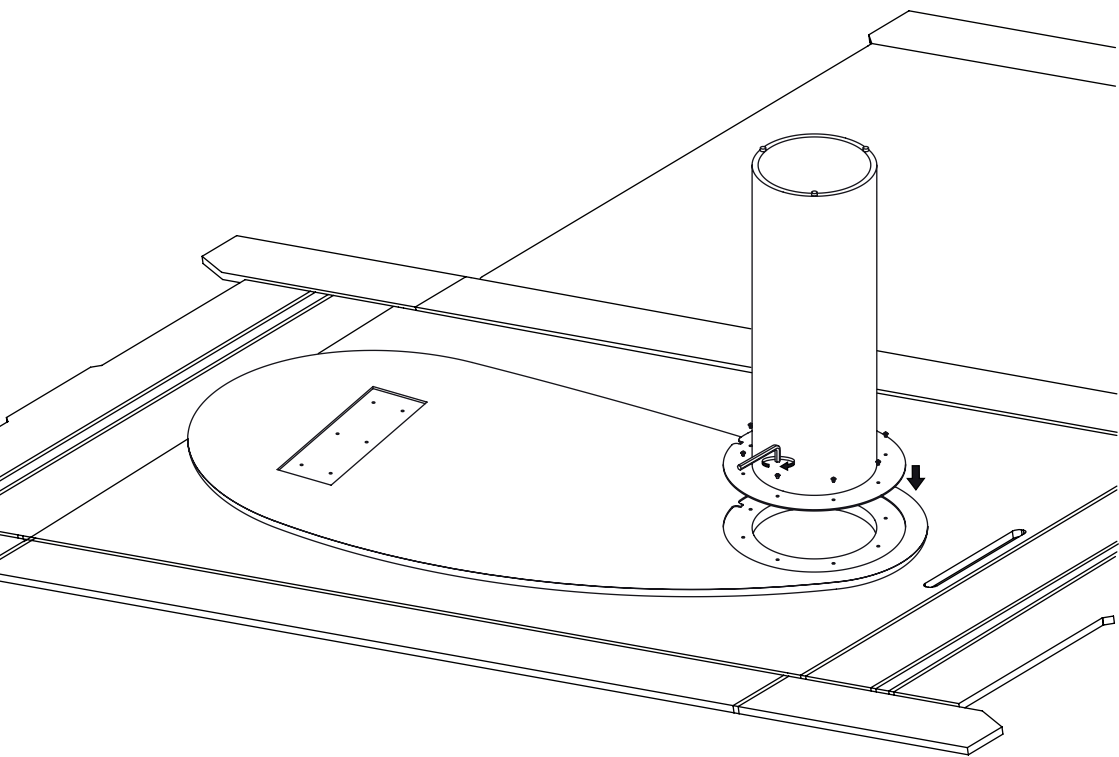
Please see care instructions on [www.audocph.com](http://www.audocph.com)

1

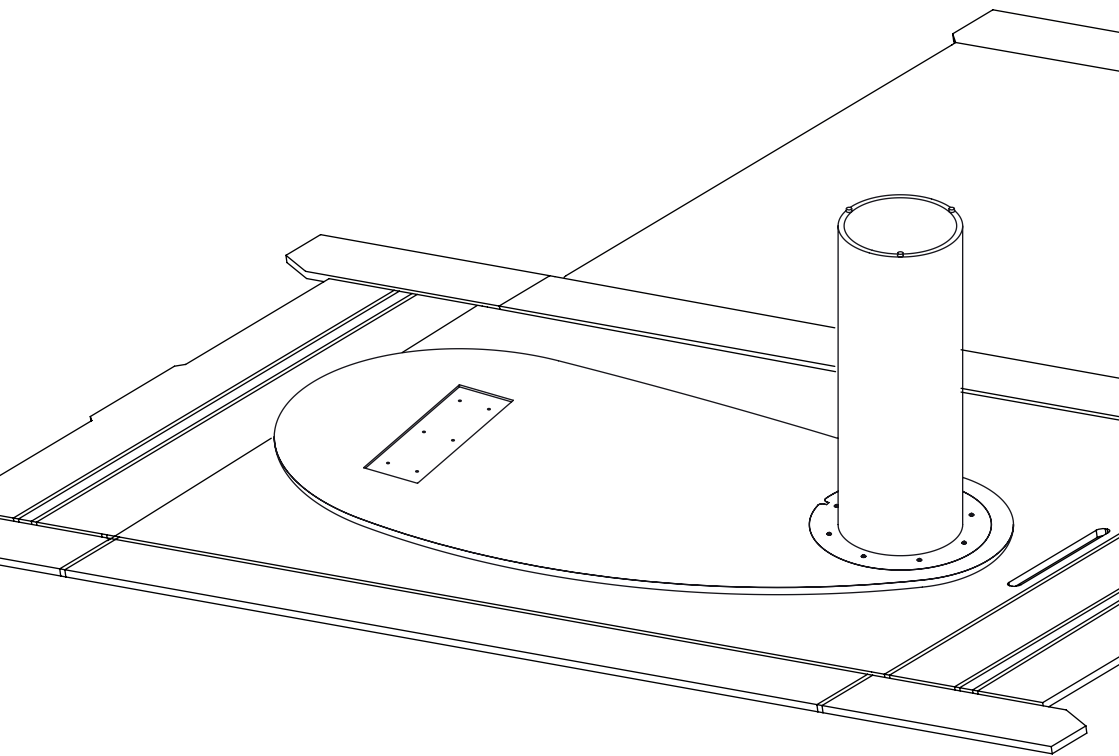


2

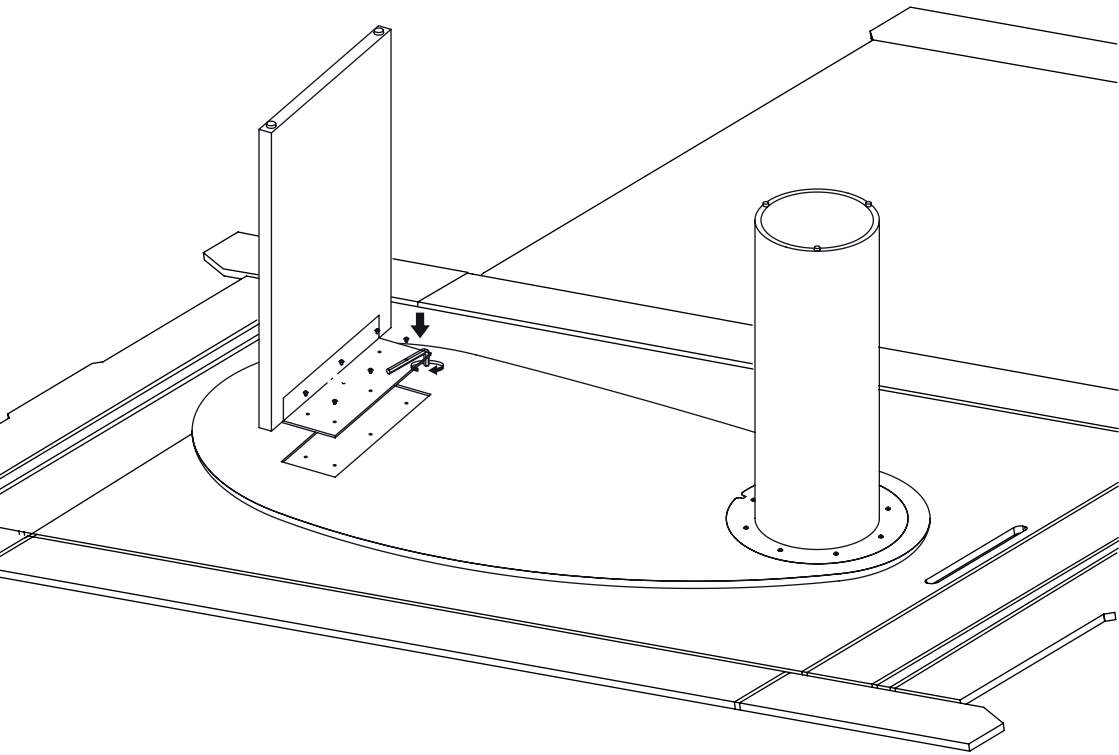




4

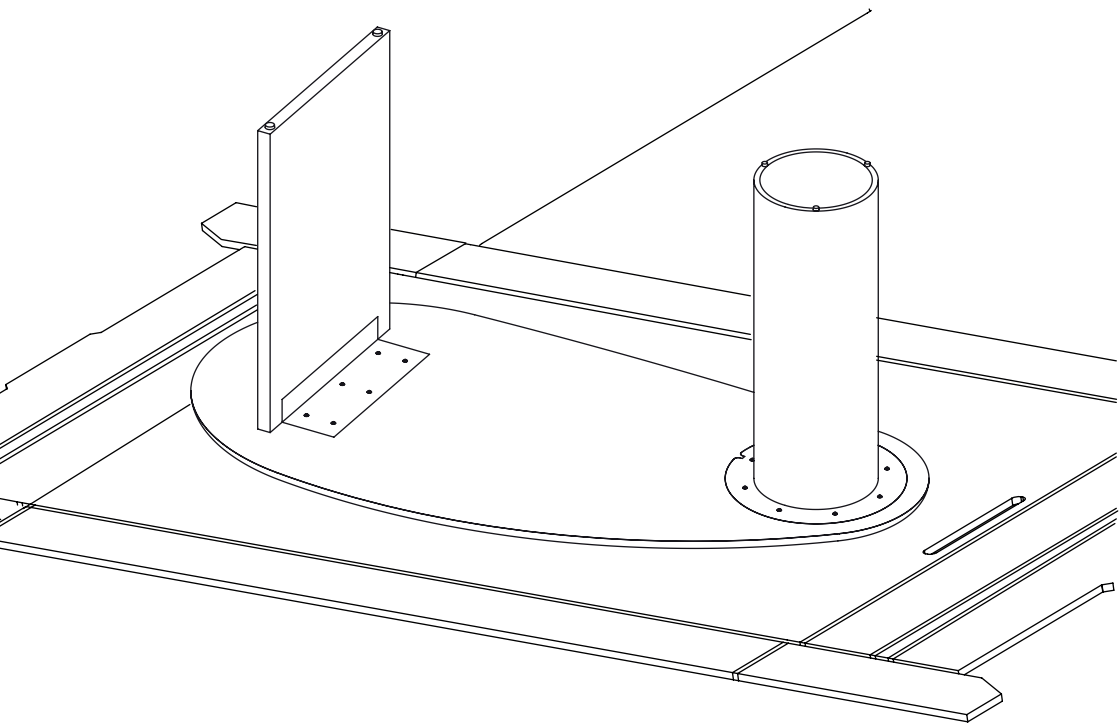


5

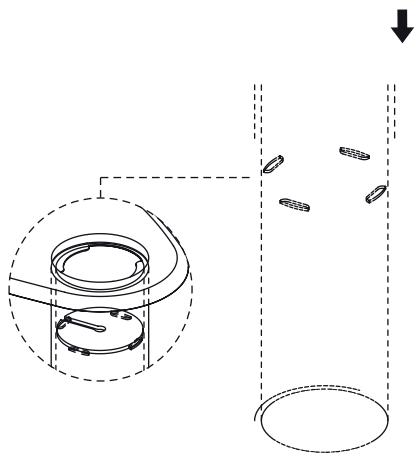
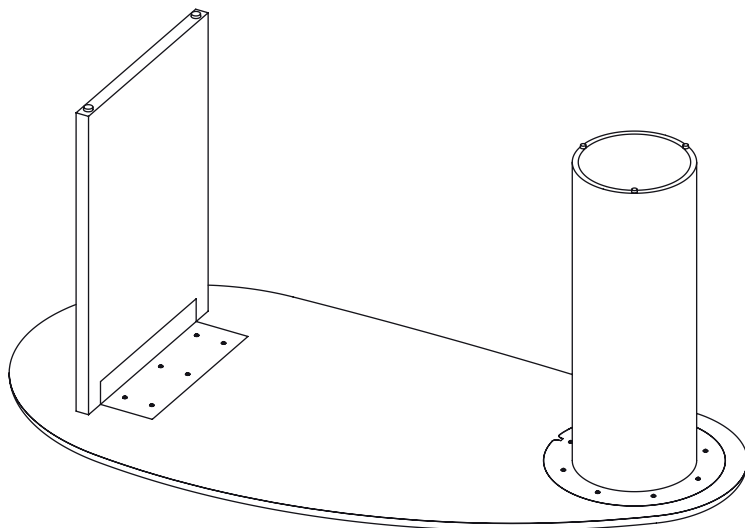




6



7



8

