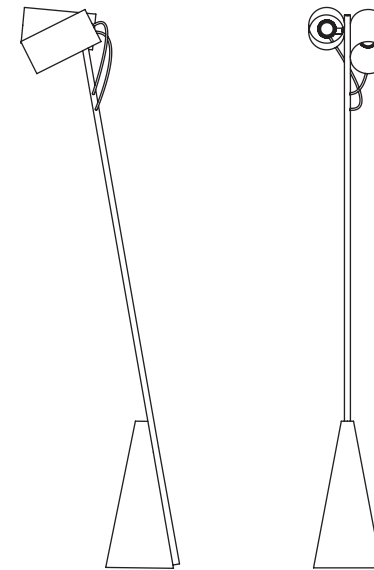
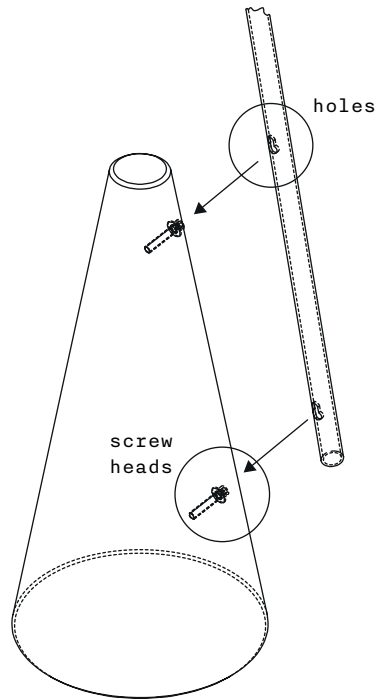
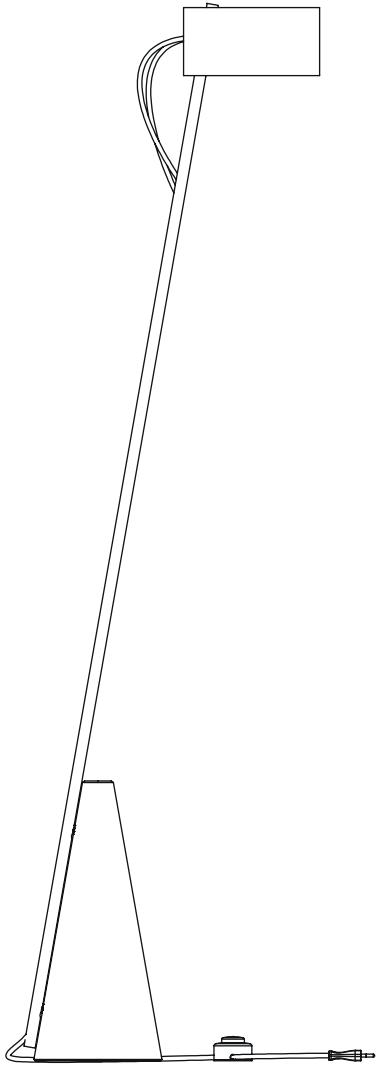


EDIZIONI
DESIGN

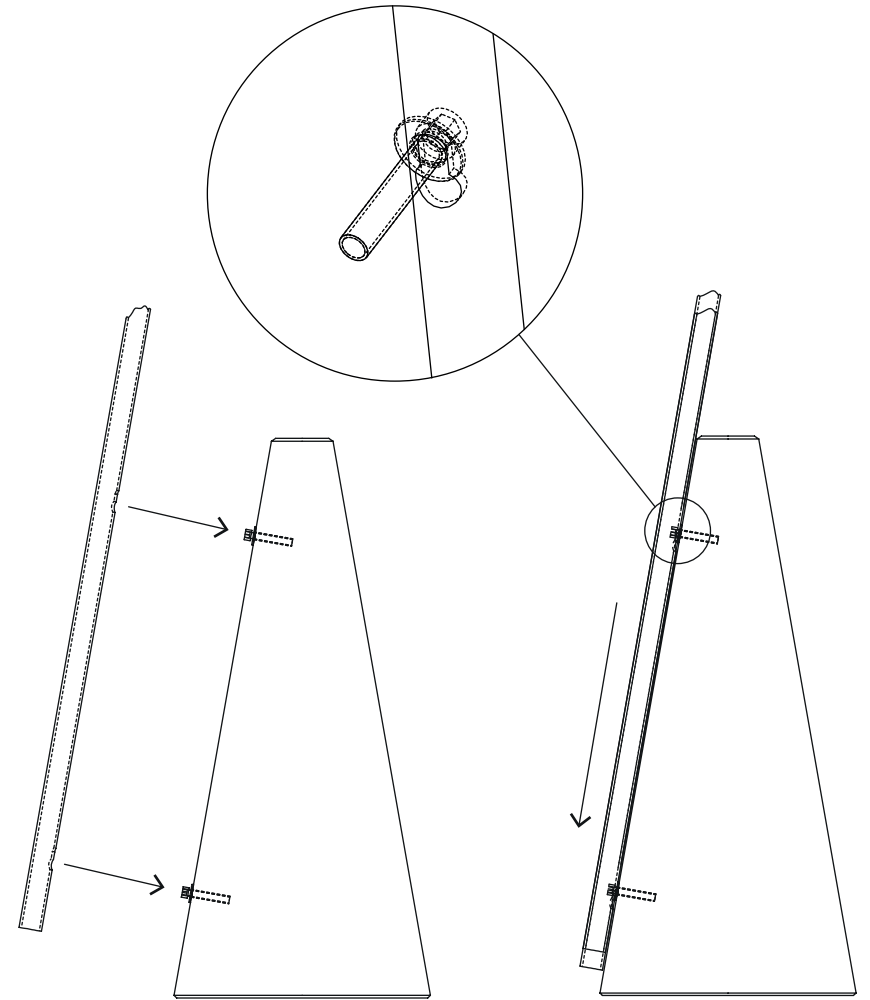


ed027
floor lamp

ASSEMBLING INSTRUCTIONS



1.
Align Holes
with Screw heads



2.
insert
screw heads
into holes

3.
push the
stem down
to lock
the structure