

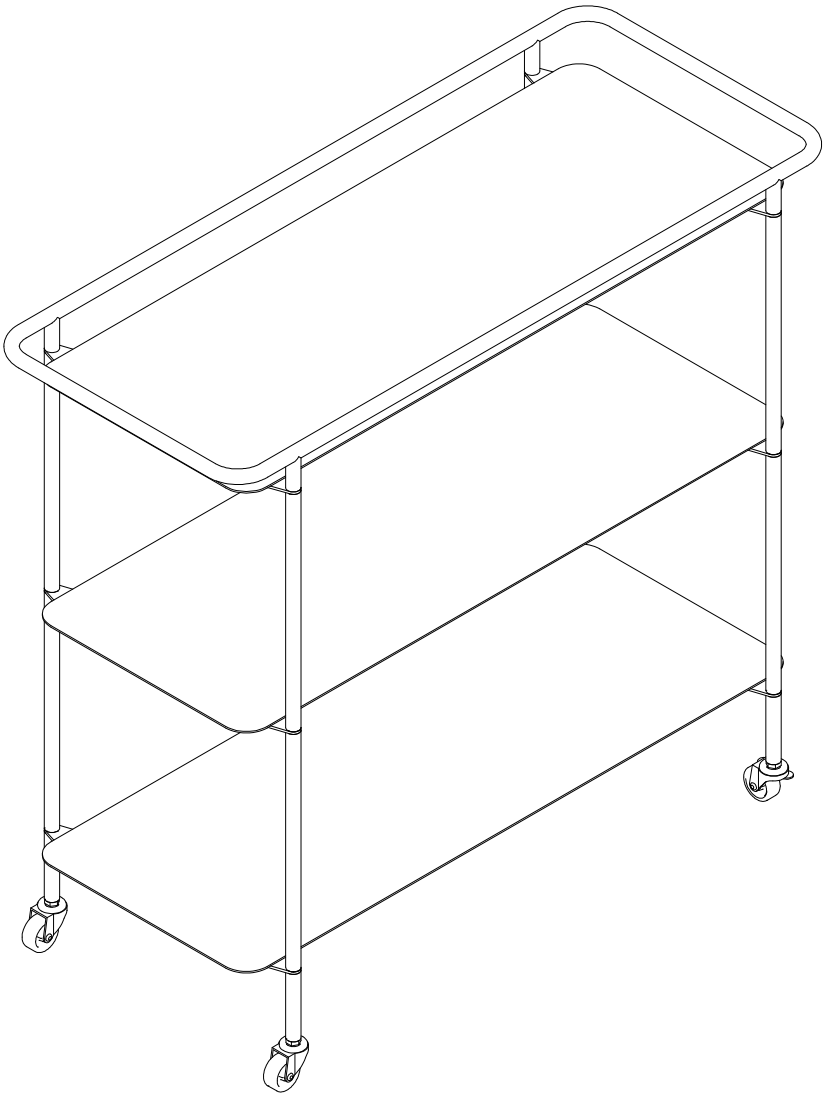
Charging Trolley

by MENU

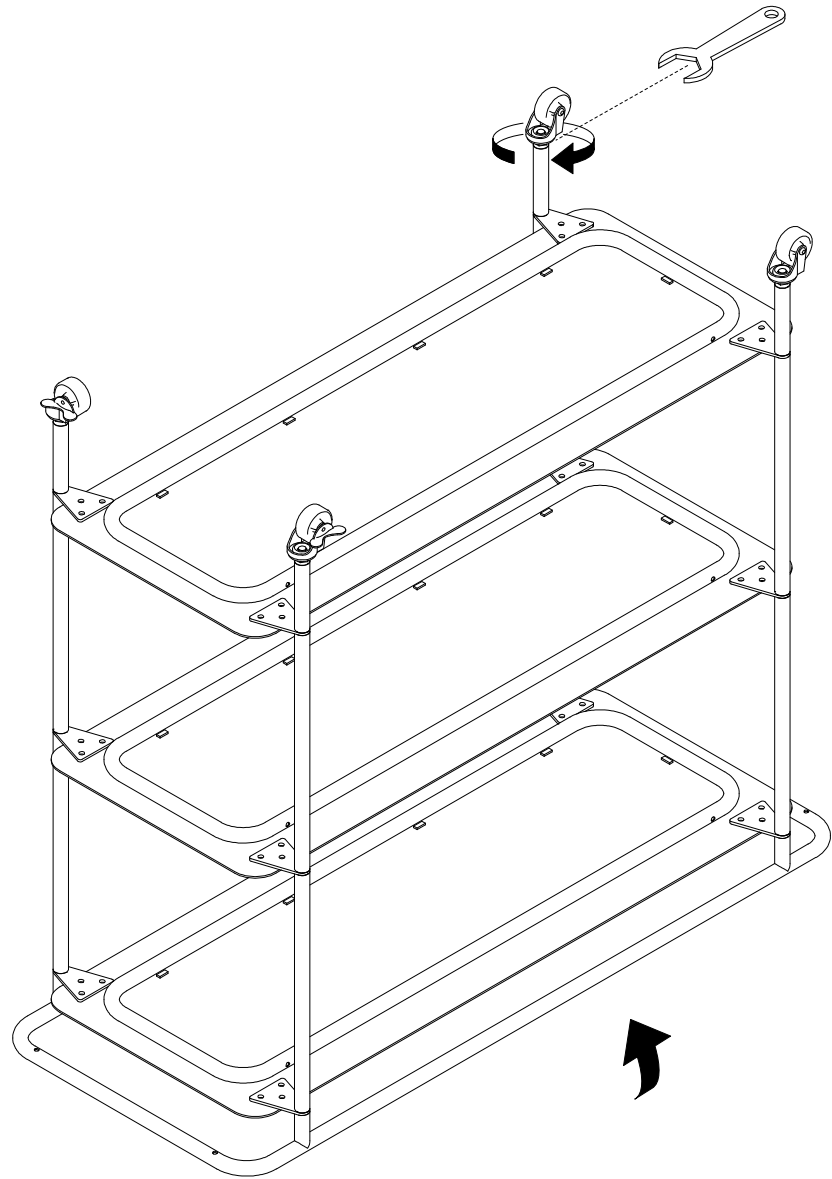


MENU

7



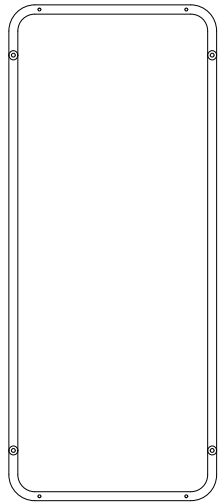
6



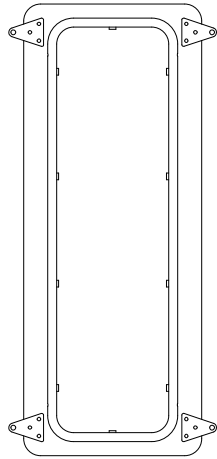
Congratulations on your Charging Trolley designed by MENU.

We hope you will enjoy using this product and follow these instructions to ensure correct assembly. These instructions are provided for your safety. It is important that they are thoroughly read before starting assembling the trolley.

COMPONENTS OVERVIEW



1 x Hand Rail



3 x Shelf



8 x Spacer

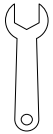


4 x Leg



4 x Wheel

TOOLS INCLUDED

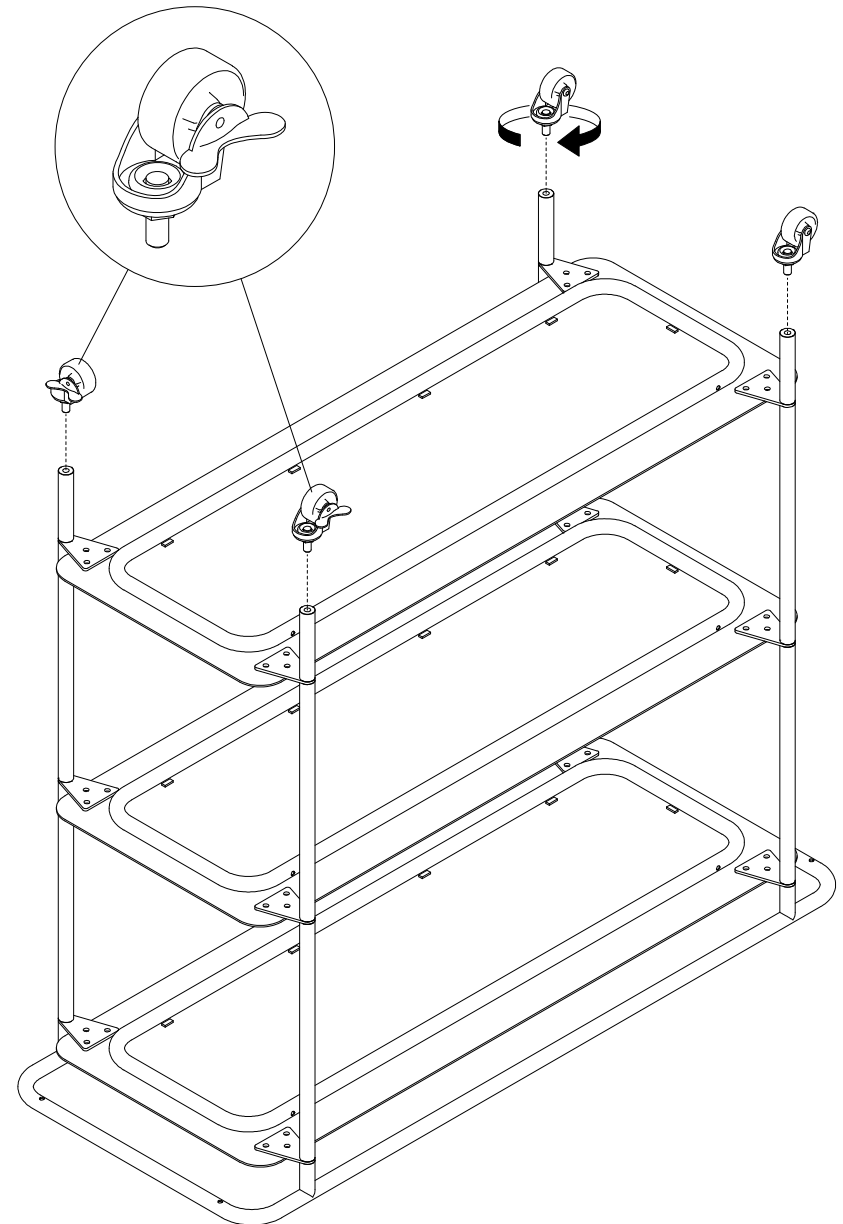


IMPORTANT INFORMATION

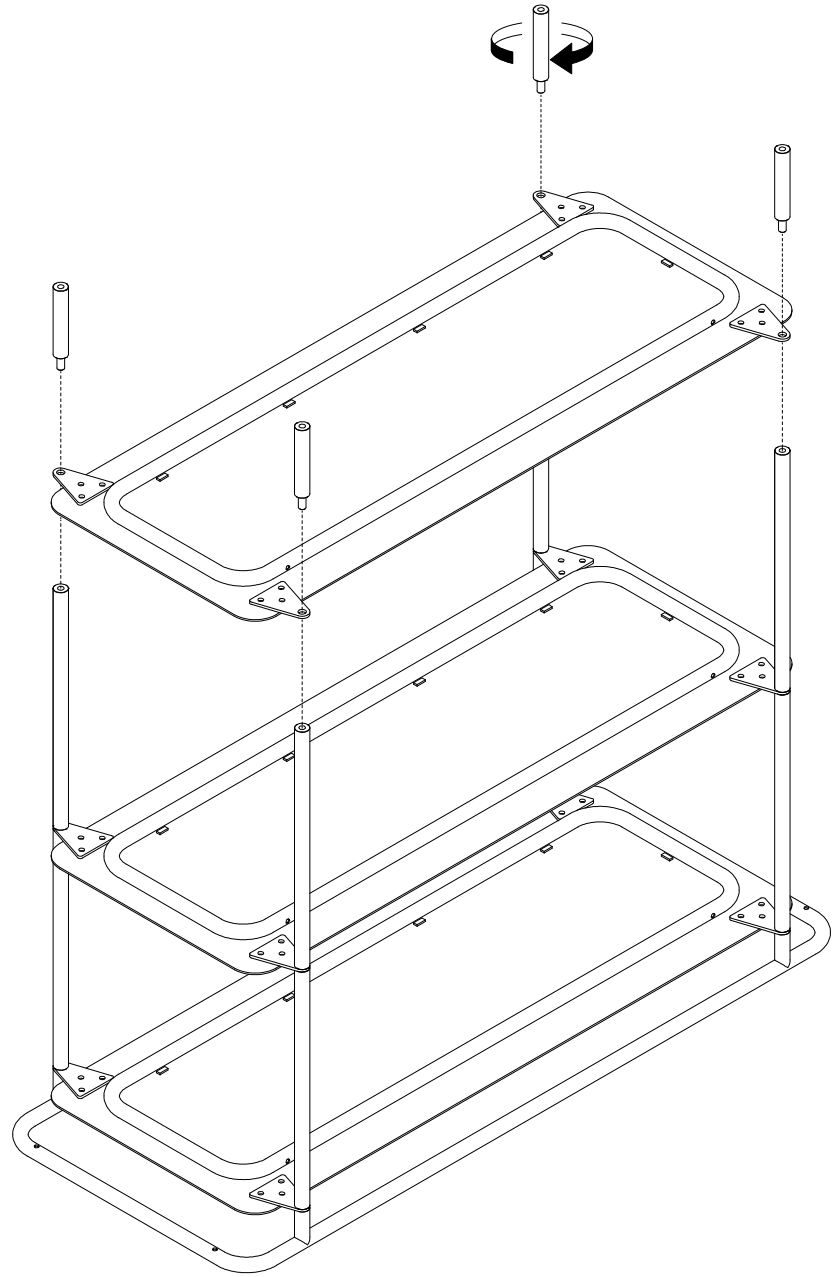
Make sure to securely tighten the wheels at the hexagonal part on the stem using the included spanner.

Always apply the two wheel brakes when the trolley is parked to avoid unintentional movement.

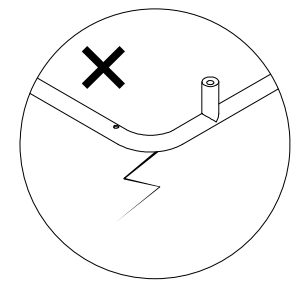
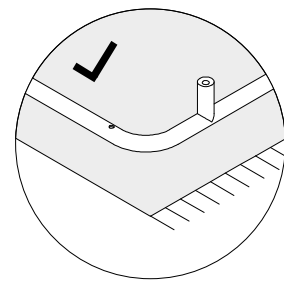
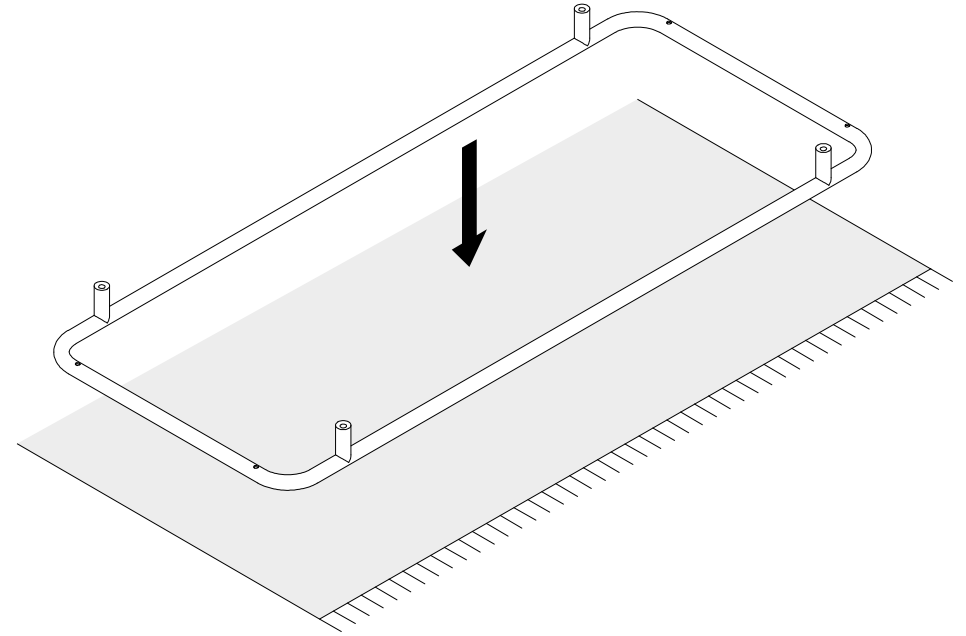
5



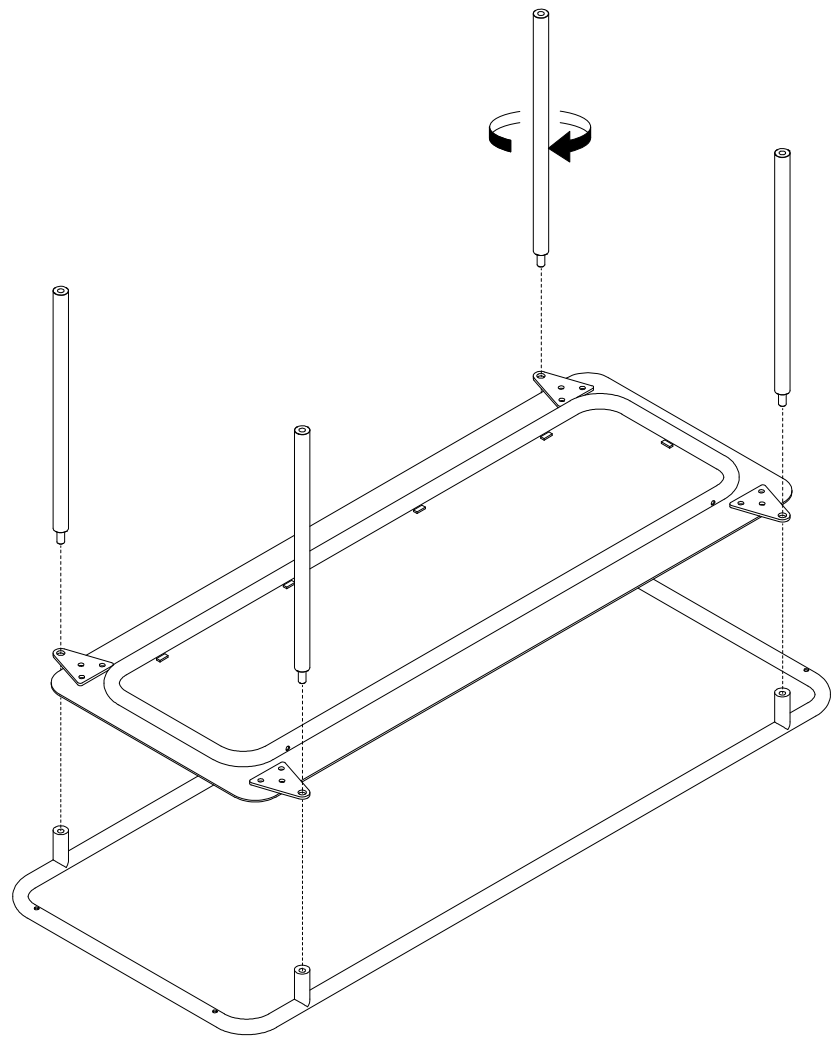
4



1



2



3

