

BUSTER+PUNCH

LONDON

[product.]

BUSTER BULB / TEARDROP

[range. **LIGHTING.**]

[type. **E27 SCREW.**]

[born. **LONDON.**]

[region. **EUROPE.**]

The World's first designer LED bulb. This bulb consumes just 1/20th of the energy of traditional bulbs with a life span of 35,000 hours.

Available in Crystal, Gold or Smoked finish. The resin light pipe at the centre of the bulb is where all the magic happens, allowing the bulb to create a subtle ambient light whilst at the same time throw focused spot light onto tables & surfaces below.

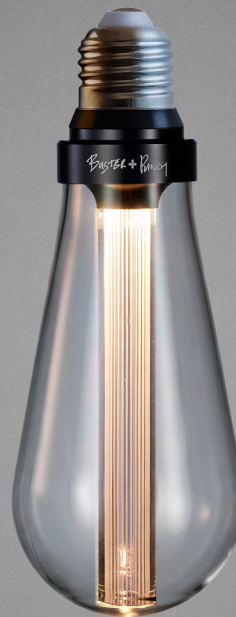
The bulb fits in any E27 screw light fitting, but looks especially great when teamed up with our Heavy Metal or Hooked lighting ranges.



[finish. **GOLD.**]



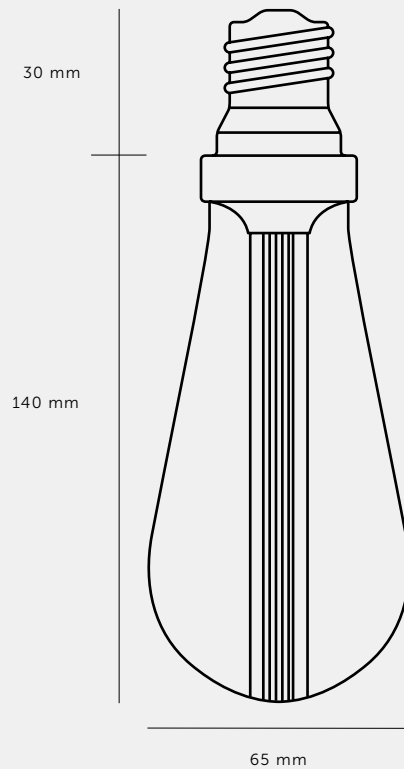
[finish. **SMOKED BRONZE.**]



[finish. **CRYSTAL.**]

[type. **2W DIMMABLE.**]

[info. **MEASUREMENTS.**]



*For energy labels see page no. 4

[info. **SPECIFICATIONS.**]

Power: 2W
Type: Dimmable LED
Screw fitting: E27
Supply: 220-240 VAC
Expected Life: 35,000 hrs

Lumen: Crystal max 100, Gold max 90, Smoked max 60.

Light appearance: Crystal 2600k, Gold 2400k, Smoked 2500k.

CRI: 80
Power factor: 0.8
CE certified.*

For indoor use only.

*Official data doc can be supplied upon request.

[info. **FINISH & SKU NUMBERS.**]

[**finish.**]

[**sku.**]

[polycarbonate.]

● Crystal

BB-TD-E27-D-CR-C

● Gold

BB-TD-E27-D-GO-C

● Smoked

BB-TD-E27-D-SM-C

[please. **NOTE.**]

The dimmable LED BULB is only compatible with on/off switches. If you are looking to use this product in conjunction with a smart or home automation system, please refer to the system manufactures guidance to check compatibility. Our bulbs are mains operated at 240VAC. To avoid disappointment, please ensure a compatible smart module is fitted before purchase.

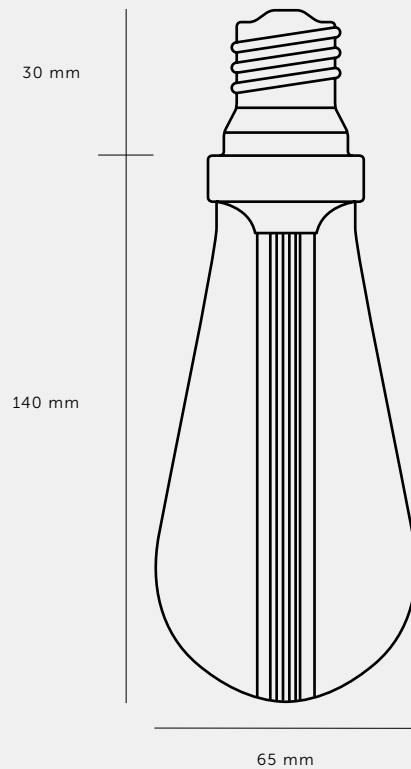
* This product is specifically designed and developed for domestic use in normal conditions and operation only. The lifetime mentioned on the packaging is an average only. This product comes with 2 years warrantee.

[info. **CARE INSTRUCTIONS.**]

Wipe with damp cloth with no loose hairs, avoid using any chemicals. All finishes are prone to aging.

[type. **2W NON-DIMMABLE.**]

[info. **MEASUREMENTS.**]



*For energy labels see page no. 4

[info. **SPECIFICATIONS.**]

Power: 2W
Type: Non-Dimmable LED
Screw fitting: E27
Supply: 100-240 VAC
Expected Life: 35,000 hrs

Lumen: Crystal max 125, Gold max 100, Smoked max 75.

Light appearance: Crystal 2700k, Gold 2400k, Smoked 2600k.

CRI: 80
Power factor: 0.5
CE certified.*

For indoor use only.

*Official data doc can be supplied upon request.

[info. **FINISH & SKU NUMBERS.**]

[**finish.**]

[**sku.**]

[polycarbonate.]

● Crystal

BB-TD-E27-ND-CR-B

● Gold

BB-TD-E27-ND-GO-B

● Smoked

BB-TD-E27-ND-SM-B

[please. **NOTE.**]

The non-dimmable LED BULB is only compatible with on/off switches. If you are looking to use this product in conjunction with a smart or home automation system, please refer to the system manufactures guidance to check compatibility. Our bulbs are mains operated at 240VAC. To avoid disappointment, please ensure a compatible smart module is fitted before purchase.

* This product is specifically designed and developed for domestic use in normal conditions and operation only. The lifetime mentioned on the packaging is an average only. This product comes with 2 years warrantee.

[info. **CARE INSTRUCTIONS.**]

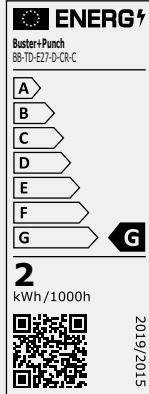
Wipe with damp cloth with no loose hairs, avoid using any chemicals. All finishes are prone to aging.

[type. **5W DIMMABLE.**]

[info. **ENERGY LABELS.**]

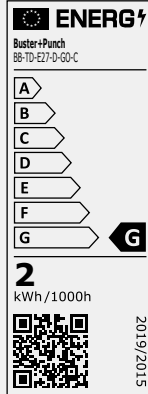
[sku.]

BB-TD-E27-D-CR-C



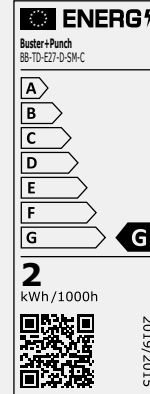
[sku.]

BB-TD-E27-D-GO-C



[sku.]

BB-TD-E27-D-SM-C

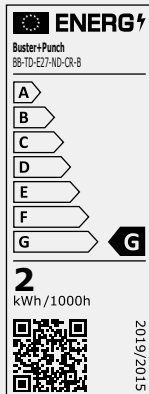


[type. **2W NON-DIMMABLE.**]

[info. **ENERGY LABELS.**]

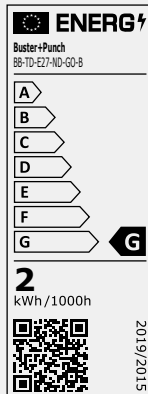
[sku.]

BB-TD-E27-ND-CR-B



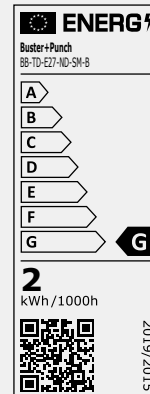
[sku.]

BB-TD-E27-ND-GO-B



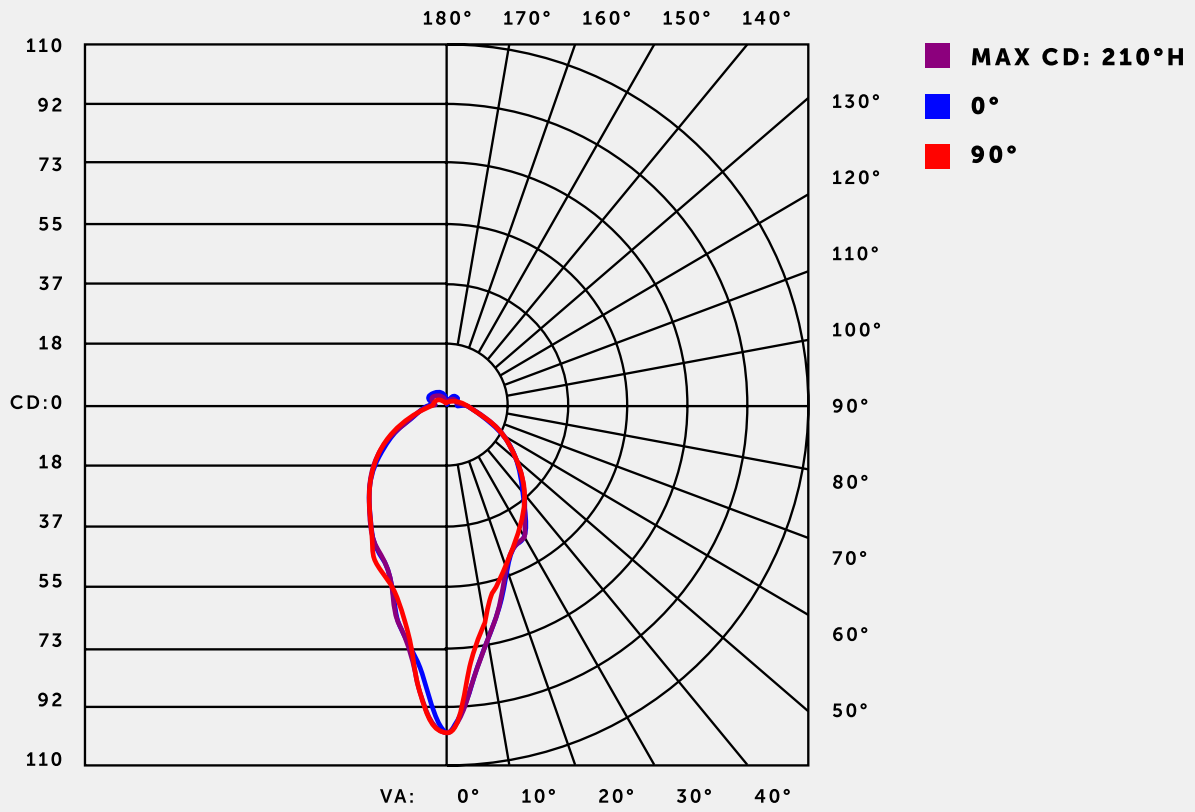
[sku.]

BB-TD-E27-ND-SM-B



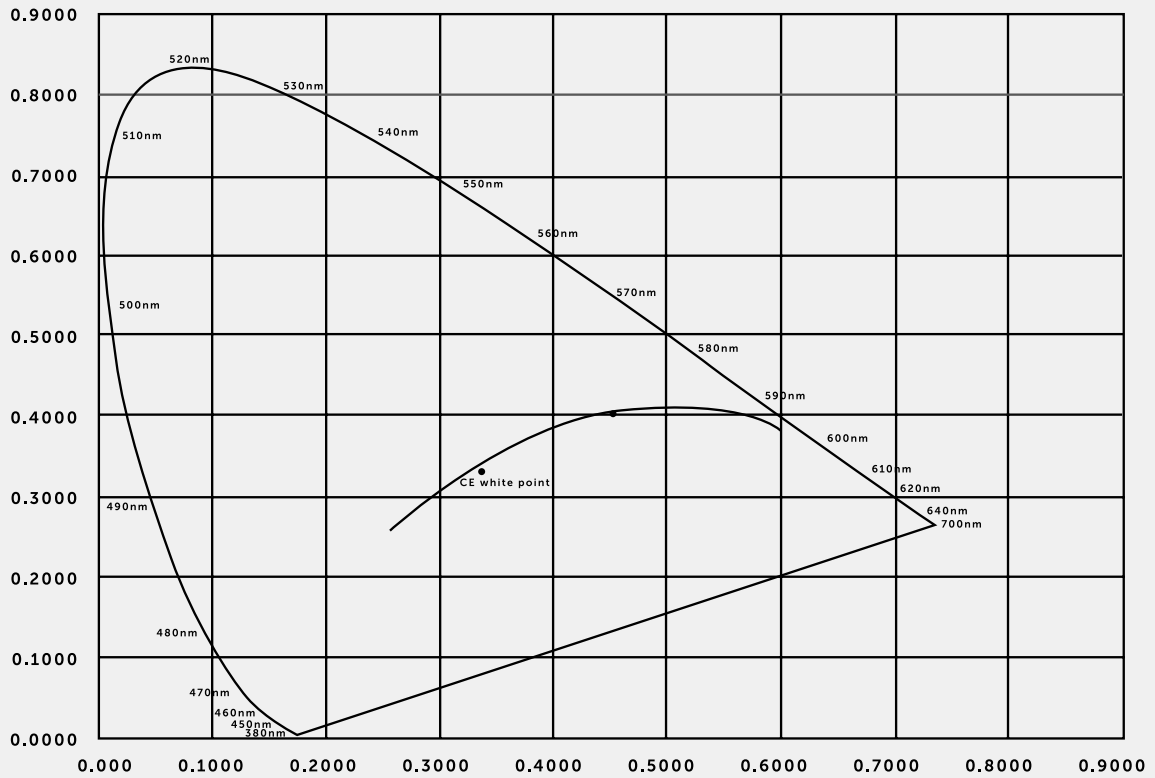
[type. **2W NON-DIMMABLE.**]

[info. **POLAR CANDELA DISTRIBUTION.**]



[type. **2W NON-DIMMABLE.**]

[info. **CRI 1931.**]



[type: **2W NON-DIMMABLE.**]

[info: **SPECTRAL IRRADIANCE AT 3MS.**]

