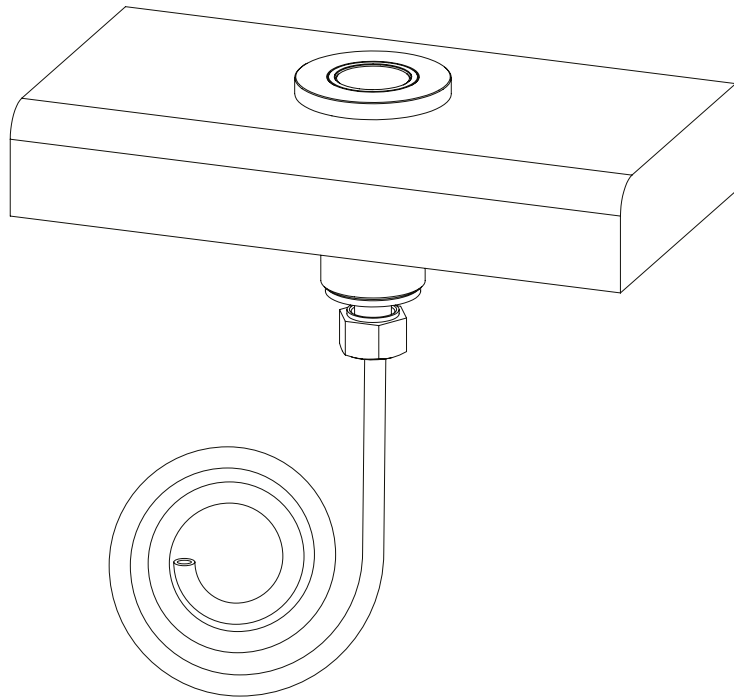


BUSTER+PUNCH
LONDON

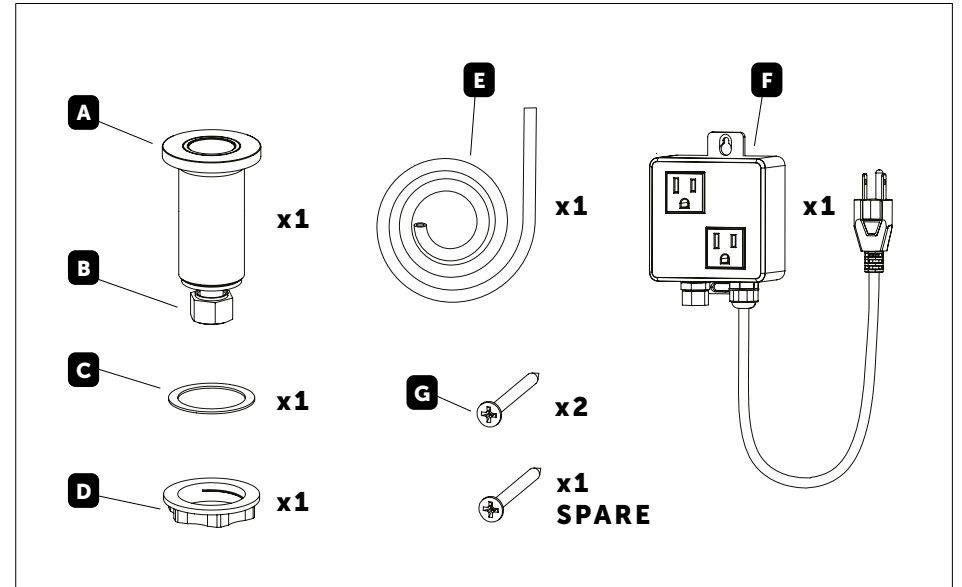
AIR SWITCH
KITCHEN TAP

INSTALLATION MANUAL US
MANUEL D'UTILISATION É.-U.
MANUAL DE INSTRUCCIONES (EE. UU.)

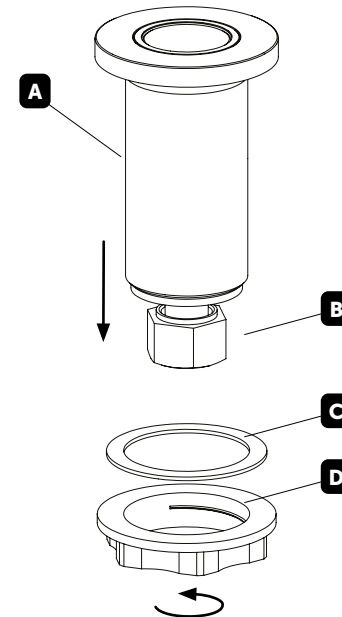


BUSTERANDPUNCH.COM / US
L0233

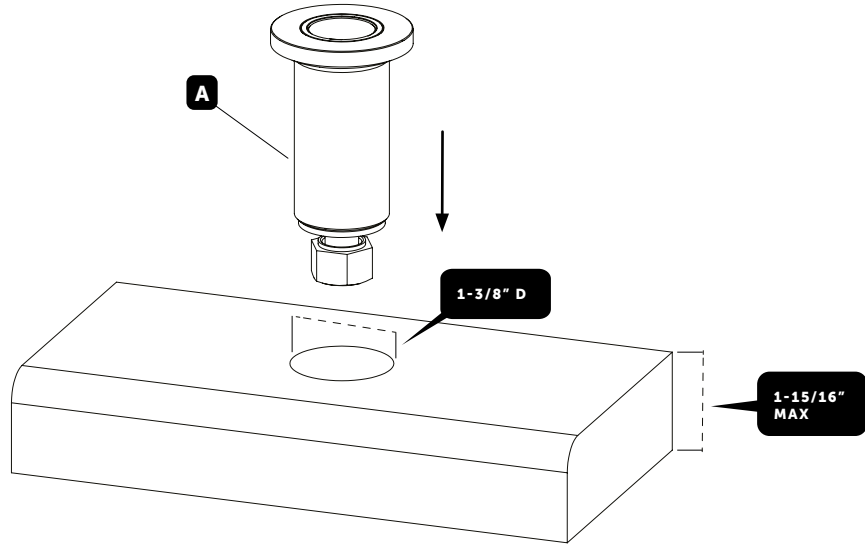
CONTENTS



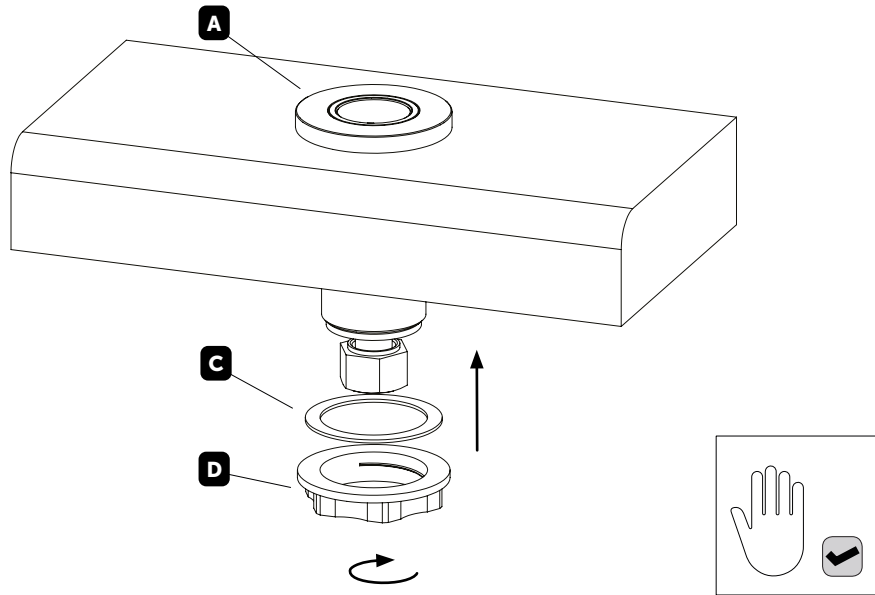
1



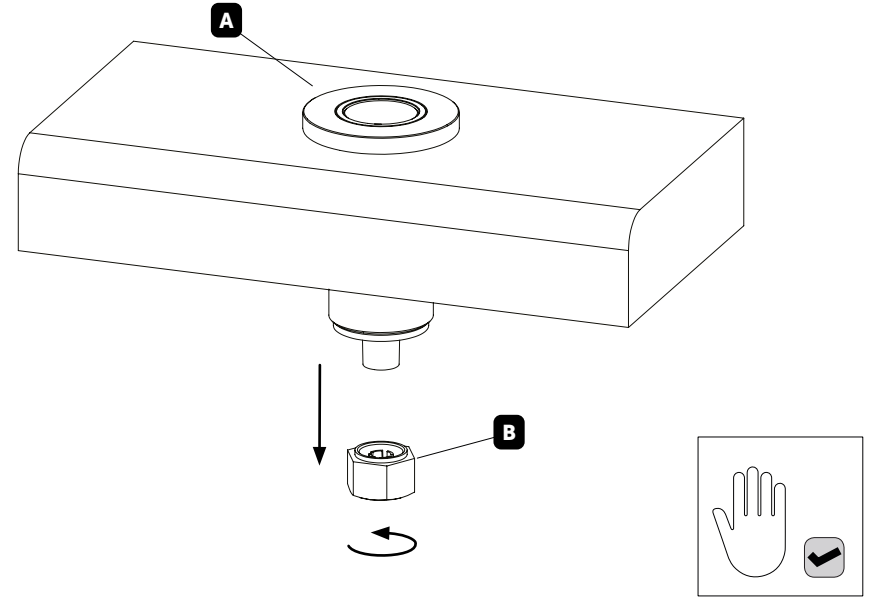
2



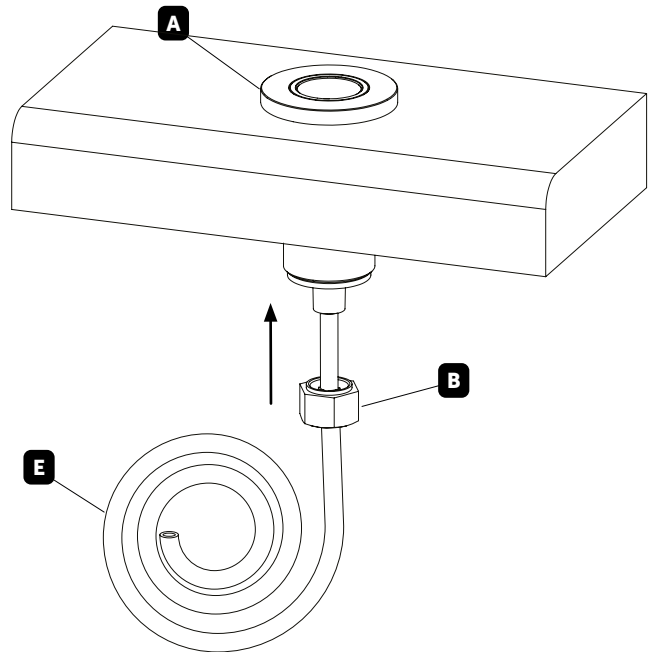
3



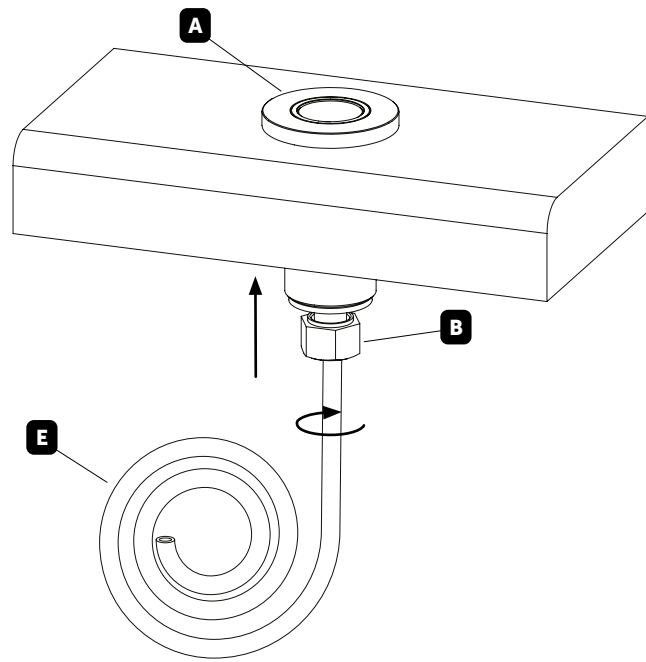
4



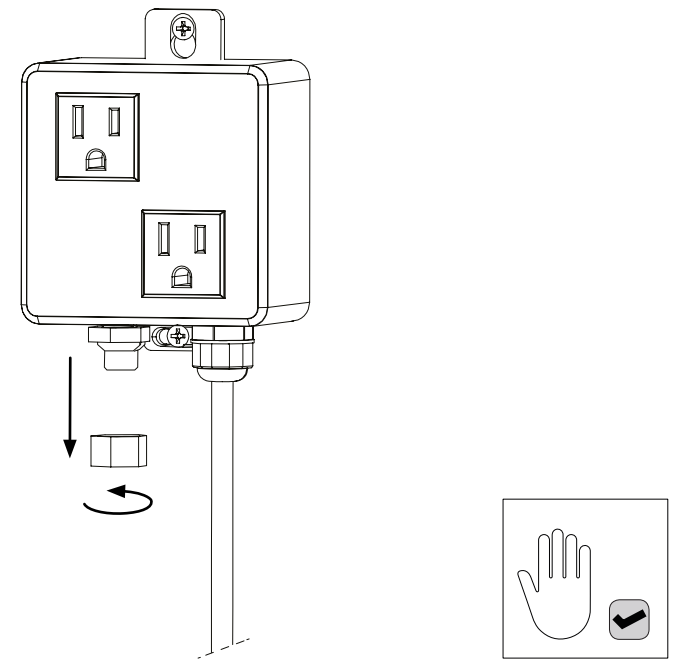
5



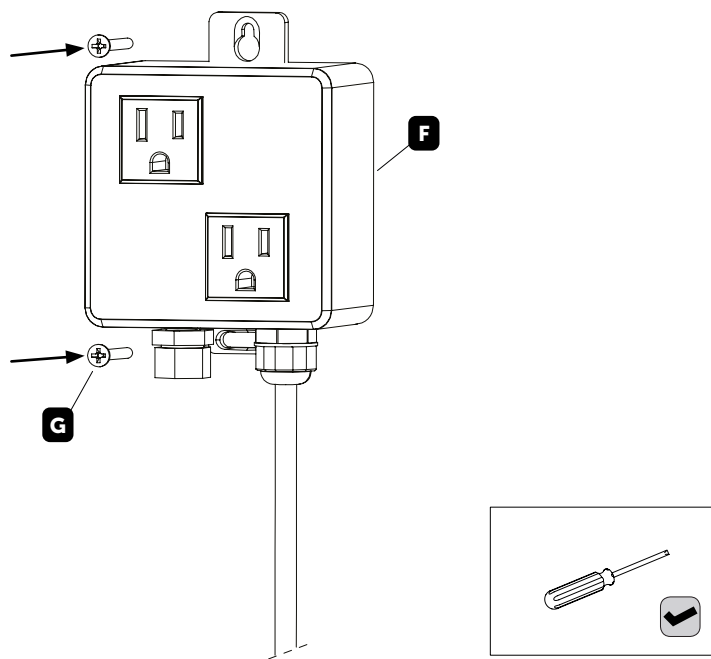
6



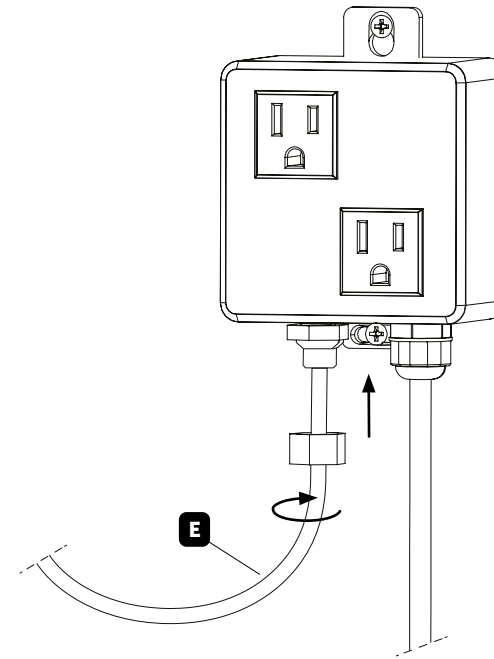
8

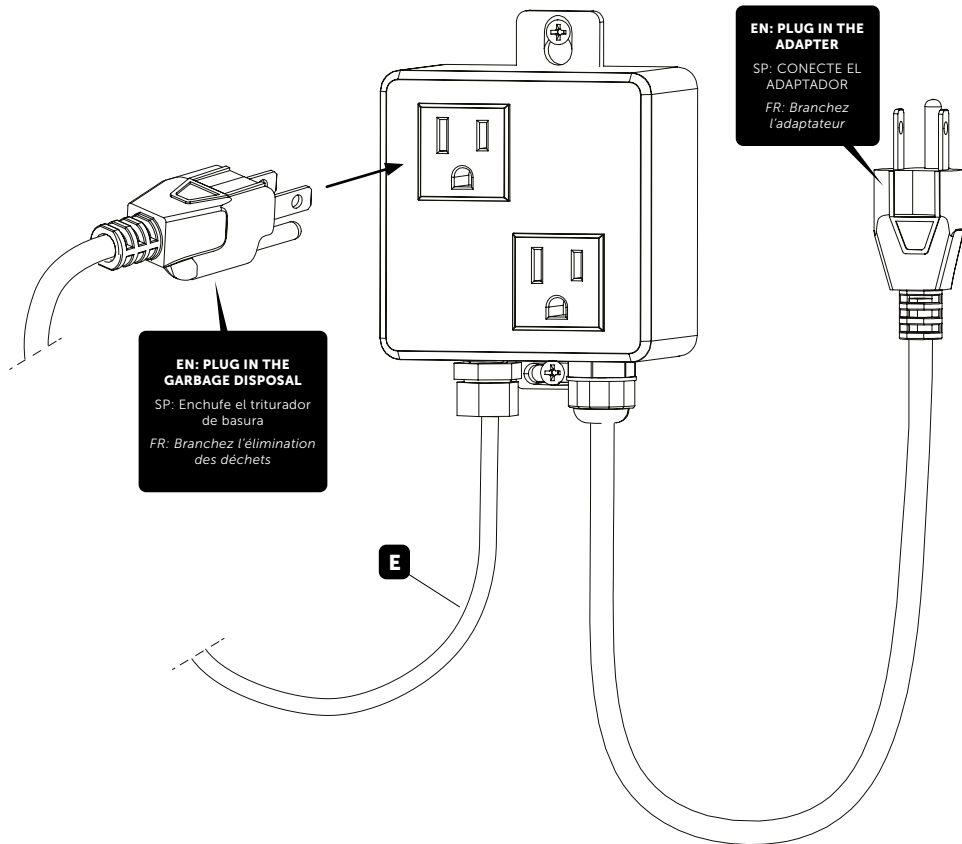


7



9





[end. ORDINARY]