

# BUSTER+PUNCH

LONDON

[ product. ]

## KITCHEN FAUCET / MIXER WITH DUAL SPRAY PULL-OUT

[ action. **MIXER WITH DUAL SPRAY PULL-OUT.** ]

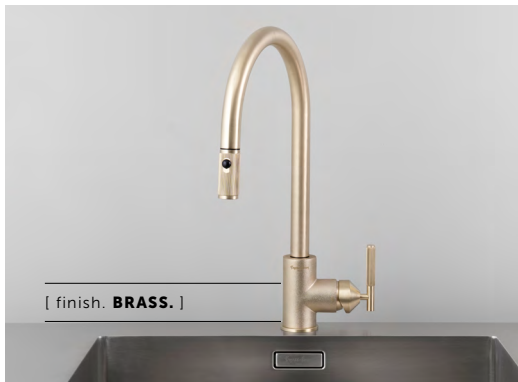
[ water. **WARM + COLD.** ]

[ knurl. **LINEAR.** ]

[ range. **KITCHEN.** ]

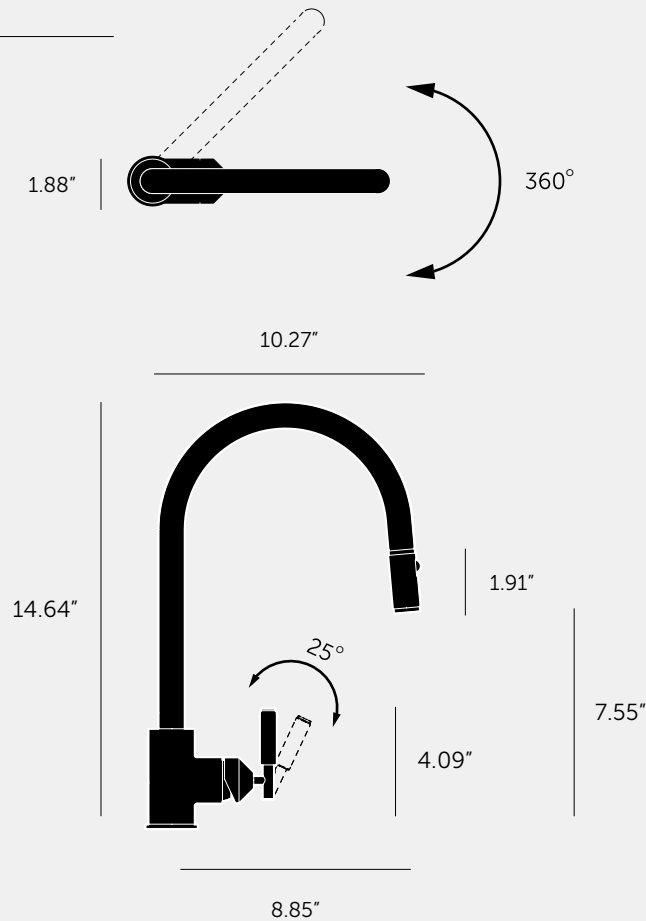
[ region. **UNITED STATES + CANADA.** ]

A kitchen faucet with single lever mixer and dual spray pull-out. This faucet has been cast, sand-blasted and machined from solid metal in Italy. It features our signature linear-knurl pattern and is refined by hand. Available in four metal finishes: steel, brass, gun metal and welders black.



[ type. **FAUCET / MIXER WITH DUAL SPRAY PULL-OUT.** ]

[ info. **MEASUREMENTS.** ]



[ info. **SPECIFICATIONS.** ]

A kitchen faucet with pull-out and dual spray function, mixing warm and cold, aerated water. The pull-out nozzle can be toggled between aerated or a needle spray. Maximum thickness of mounting surface 40mm, with supplied fixings.

Minimum recommended water pressure: 7.25 PSI (0.5 BAR).

Maximum recommended water pressure: 72 PSI (5 BAR).

Recommended maximum hot water temperature: 70 °C (158°F).

Recommended temperature range: 5 – 60 °C (41 – 140 °F).

The total length of the pull-out hose is 66.9”.

Note: Exceeding these temperatures or water pressures can result in damage to the tap. A pressure reducing valve may be required to be fitted in high water pressure situations.

[ info. **FINISH & SKU NUMBERS.** ]

[ finish. ]

Steel

Brass

Gun Metal

Welders Black

[ US. ]

NKT-071680

NKT-053258

NKT-351683

NKT-591682

[ info. **CARE INSTRUCTIONS.** ]

Wipe with damp cloth with no loose hairs, avoid using any chemicals. All finishes are prone to aging.

[ info. **INCLUDED.** ]

**1 x Kitchen Faucet Mixer with Dual Spray Pull-out**

2 x Flexible connector hoses

1 x Kitchen Mixer Faucet

1 x Tap Base and set of washers

1 x Threaded bar and nut

1 x Supporting tap brace (for surfaces with thickness < 5mm)

[ info. **INSTALLATION TOOLS REQUIRED.** ]

1 x Adjustable spanner

[ please. **NOTE.** ]

All Buster + Punch mixer taps conform to standard EN817. In some cases, local housing regulations may require mixer taps to be of a higher minimum water pressure standard. In this instance we would recommend consulting with a certified plumber about installing a pressure regulator or similar device.

Mixer taps are tested to work with a max. pressure of 10 bar (1000 kPa) and recommended working pressure range is 1.0 – 5.0 bar (100 kPa – 500 kPa).