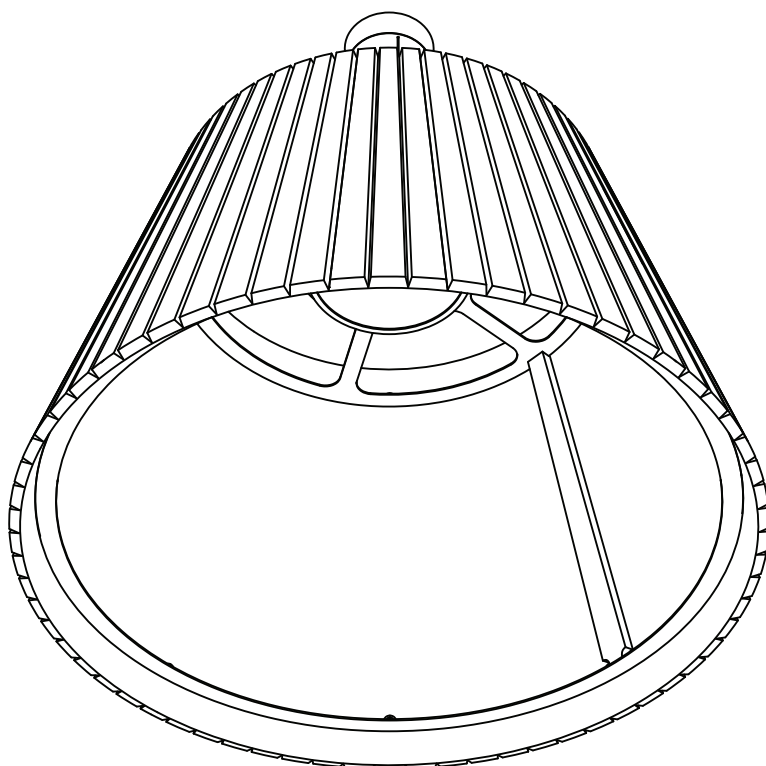


assembly instructions

SPARK

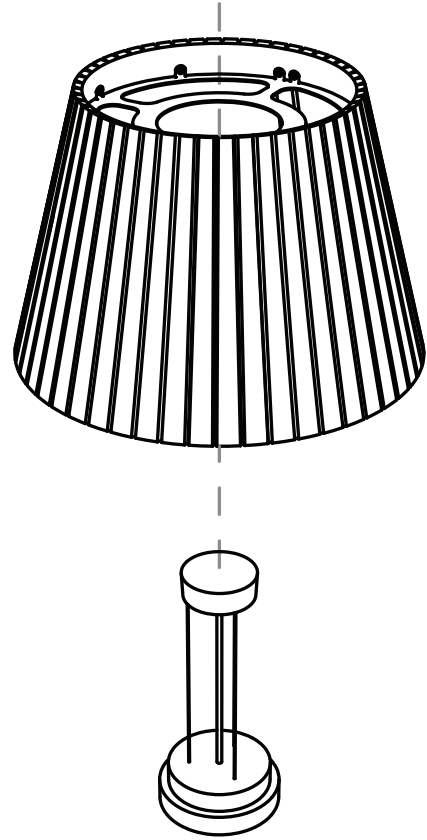
Acoustic Lighting



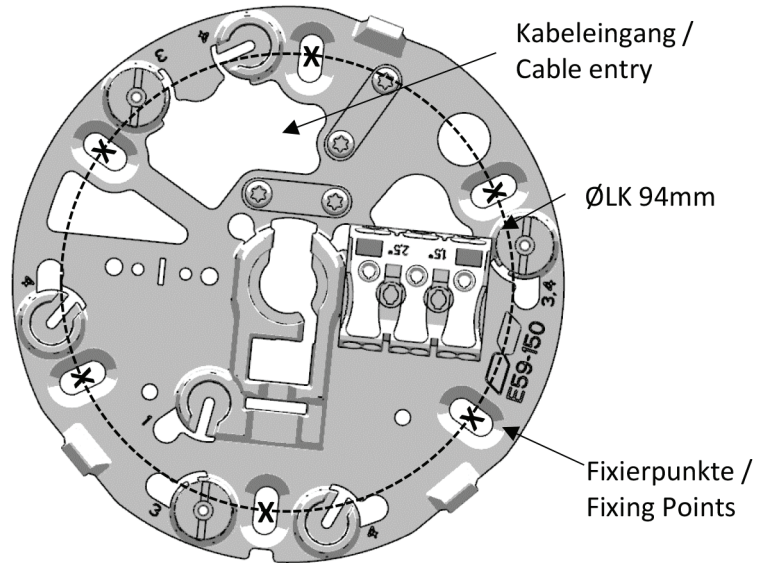
SPARK

assembly instructions

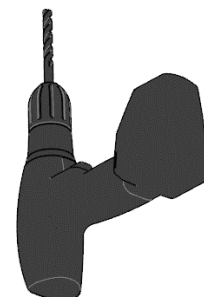
1. For Spark 1200 and Spark 1600 assembly, skip this step.
Insert the luminaire body through the luminaire shade as shown.



2. Mark the holes for the screws on the ceiling.



3. Drill the marked holes.



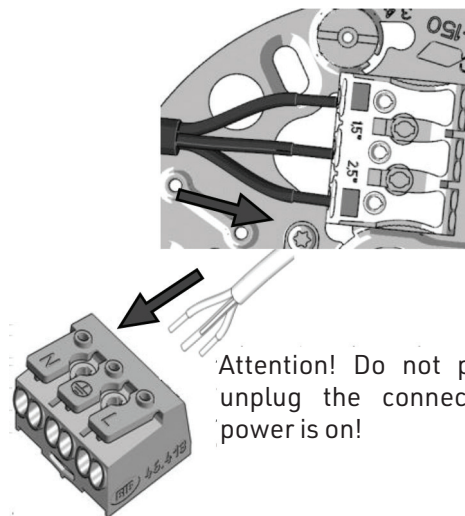
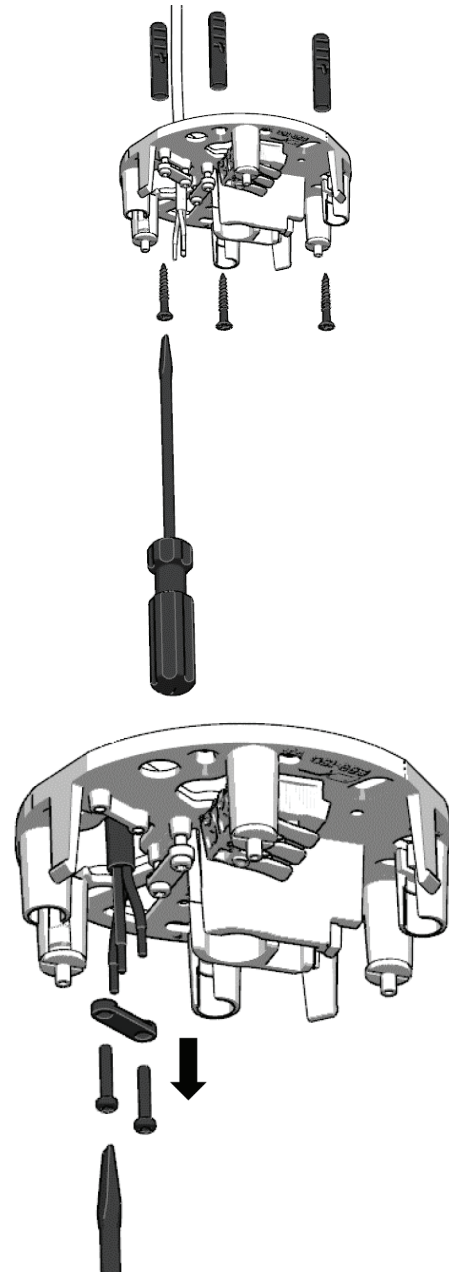
SPARK

assembly instructions

4.
Pull the cable through the base plate and screw the plate to the ceiling.

5.
Loosen the train relief.

6.
Fix the three wires in the correct position in the connector.

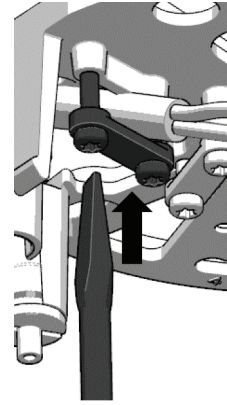


Attention! Do not plug in or unplug the connector when power is on!

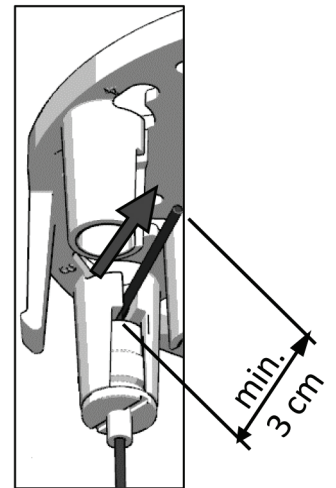
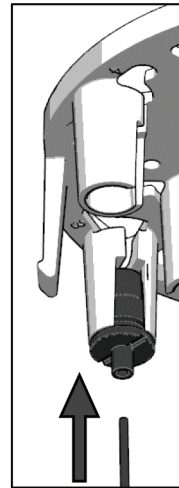
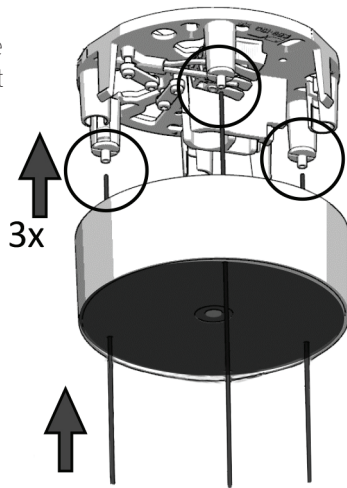
SPARK

assembly instructions

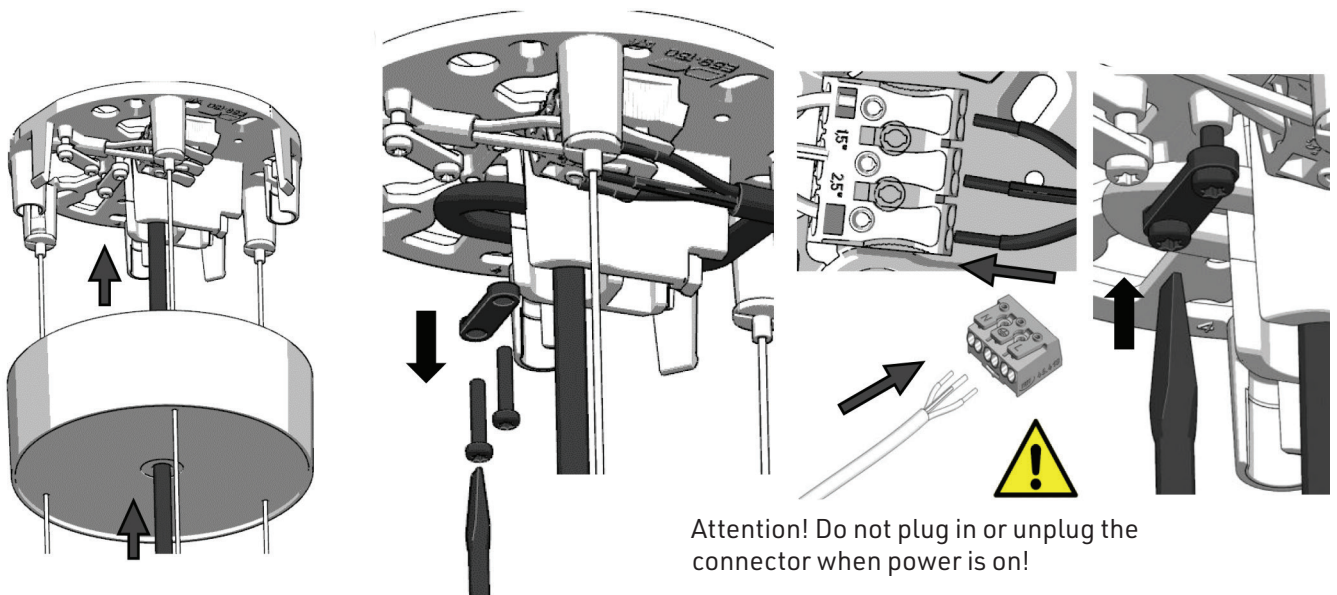
7.
Fix the cable with the strain relief.



8.
Insert the three wire ropes into the grippers and let them protrude at least 3 cm.



9.
Insert the cable of the luminaire as shown, insert the wires in the correct position in the cable clamp and fix the cable with the strain relief.

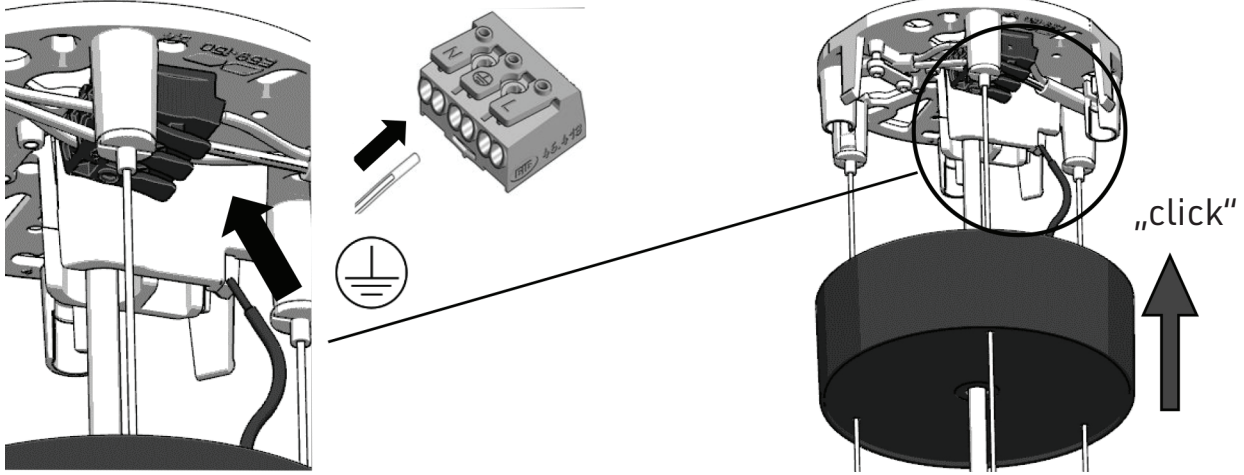


SPARK

assembly instructions

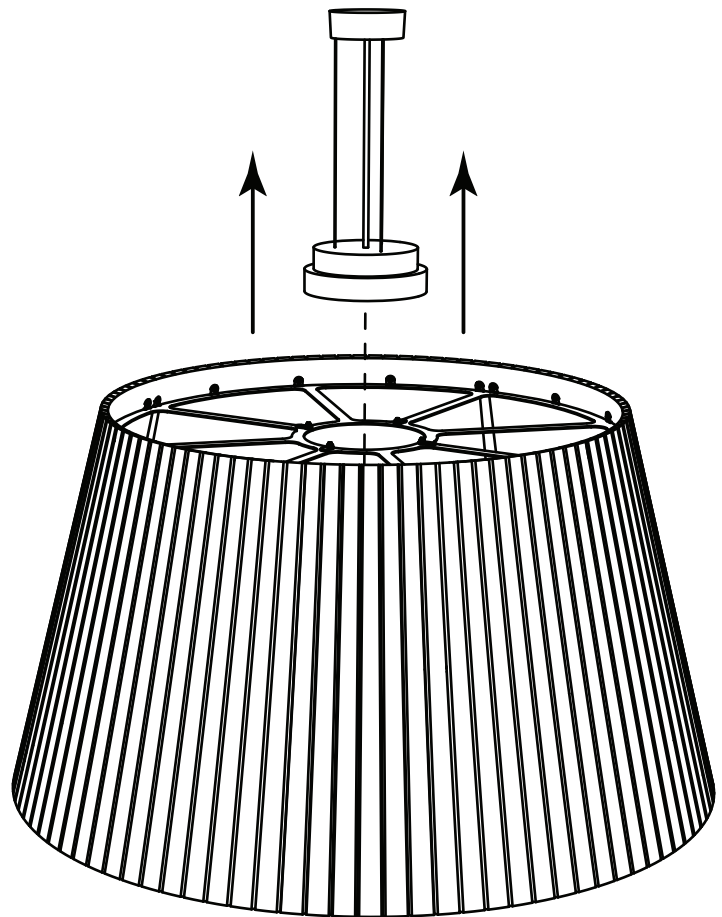
10.

Insert the ground wire into the connector and snap the cover into place.



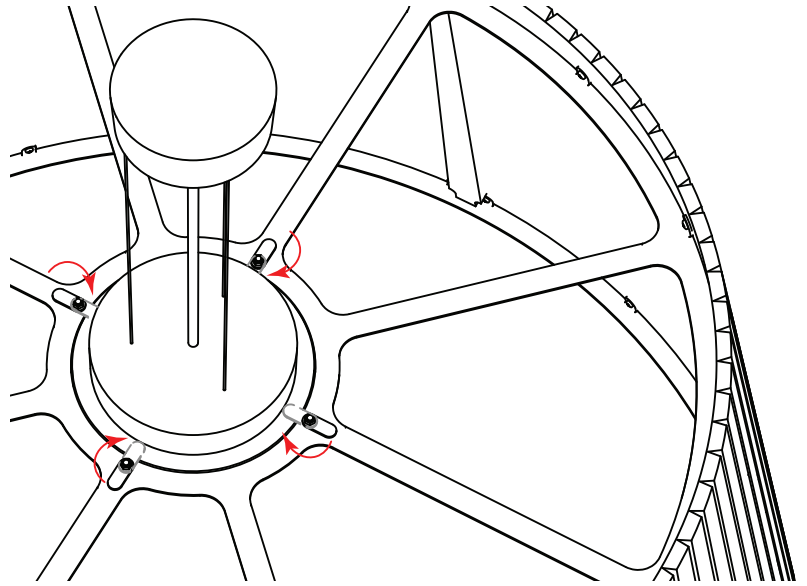
11. This step is only necessary for the Spark 1200 and Spark 1600.

Join the lampshade with the lamp body.



12. This step is only necessary for the Spark 1200 and Spark 1600.

Turn all latches so that they point towards the center and rest on the luminaire body. Tighten the nuts with a tightening torque of 5 Nm.



Installation and commissioning only through authorised qualified personnel.

Modifications or overhauling to luminaires or lighting components only with the written consent of Impact Acoustic AG.

The light source contained in this luminaire shall only be replaced by the manufacturer or his agent or a similarly qualified person.

Turn off power before working.

Power connection only through the build-in resp. enclosed clamps.

Luminaires and illuminants may not be disposed of as household waste. They have to be submitted to the default local recycling process.