

101

C O P E N H A G E N

FOKU CHAIR // ASSEMBLY INSTRUCTIONS





ABOUT 101 COPENHAGEN

101 Copenhagen is a Danish design brand founded in 2017. With a vision to honor exquisite quality and craftsmanship, the collection encompasses furniture, lighting and accessories in a timeless, yet modern design. With a true passion for materials and refined textures, organic shapes and colours, 101 Copenhagen presents the epitome of classics and must-have novelties for Scandinavian and international interior connoisseurs alike.

OUR CREATIVE DRIVE

The design of 101 Copenhagen is firmly rooted in the Scandinavian soil and nourished by Japanese minimalist aesthetics. Sharing an emphasis on quality materials, techniques and traditions, the meeting between the North and the East is notable in the holistic collections of 101 Copenhagen. The design approach is dynamic and characterised by freedom of expression - creating unique and timeless pieces without compromising on playfulness and individuality.

OUR DESIGN TEAM

An attention to detail and a shared sense of aesthetics is what drives the two main designers of 101 Copenhagen, Tommy Hyldahl and Kristian Sofus Hansen. Merging their backgrounds and experiences from the fashion industry, the Royal Danish Academy of Fine Arts and travels in Japan respectively, a narrative of minimalist, sculptural and conceptual design is evident throughout the collections. Translating and transforming the simplistic inspiration from Japan in a Scandinavian context is all about honouring quality, heritage and materiality while never seizing to compromise on form and function. Trained as an architect, the third designer, Nicolaj Noddesbo, adds knowledge on innovative light solutions and timeless novelties to the 101 Copenhagen collections. 101 Copenhagen is a curated selection of tactile, bold objects standing out in a crowd and gathers as a whole.

**CONGRATULATIONS
ON YOUR NEW PRODUCT FROM
101 COPENHAGEN**

FOKU CHAIR

Inspired by the shapes of traditional Japanese garden tools, Foku is a full upholstery lounge chair made of simple geometric shapes merged into a sculptural furniture design. Foku meaning fork in Japanese, is a reference to the traditional rake tools used in Japanese Zen gardens for centuries. The fork, used to gently create minimalistic lines and waves in the sand, is reinterpreted into the fluted seat of the Foku chair. Several layers of carefully chosen foam types is combined to ensure a soft and highly comfortable seating experience, as well as emphasizing the sculptural and voluminous shapes of the chair. Combine several Foku Chairs to create a sofa lounge seating. Each Foku Chair includes two metal brackets, which can be mounted underneath the legs with a small screw. Foku comes in Off-White Bouclé and a Taupe fabric from Sunproof. The fabric is highly resistant to stains, water, and sunlight, making it very easy to clean as well.

Designed by Kristian Sofus Hansen & Tommy Hyldahl.

Product no: 233002

Type: Chair

Designer / Year of design:

Kristian Sofus Hansen & Tommy Hyldahl, 2022

Colour: Taupe

Material: Sunproof fabric

Care instructions: Sunproof fabric is carefully processed and has gone through a special treatment to reduce the fabric's absorption in terms of soil and stains. The fabric is water repellent and is protected by an invisible shield around each of its fibers for keeping the fabric dry and clean. Sunproof fabric is resistant to UV damage and fading.

Remove stains by using a brush or wet cloth.

Vacuum clean to remove loose dirt.

Use a gentle cleaning solution.

Rinse off any remaining soap or cleaning agents.

Dimensions: L60 / W92 / H70 CM

Weight capacity: 180 Kgs

Country of origin: CN

Product weight: 26 Kgs

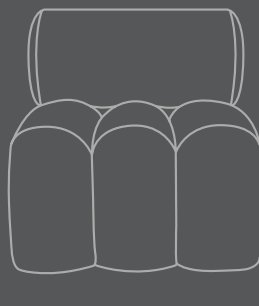
Packaging:

Dimensions: L97 / W66 / H72 CM

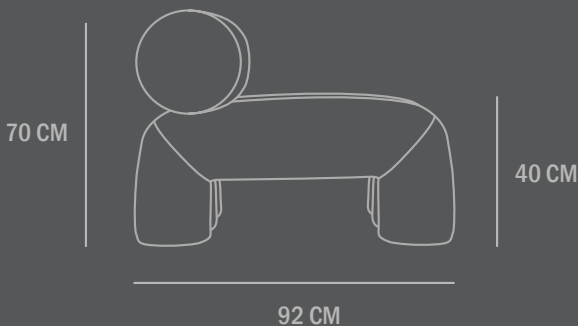
Total weight incl. product: 29,5 Kgs

Number of parcels: 1

Material: Brown cardboard



60 CM



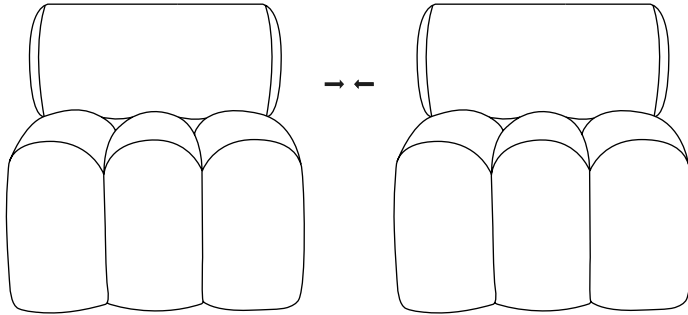
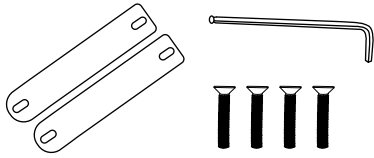
70 CM

40 CM

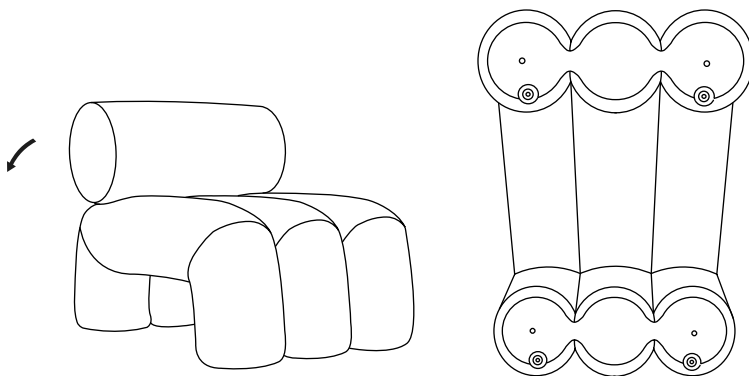
92 CM

TO ASSEMBLE:

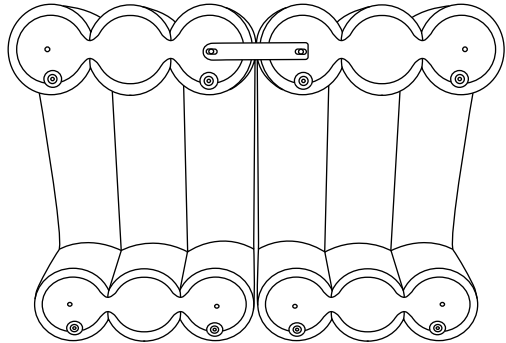
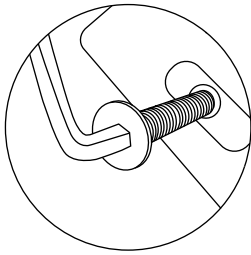
[VIEW ASSEMBLY VIDEO HERE](#)



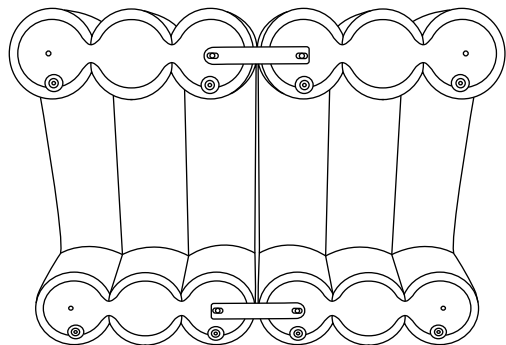
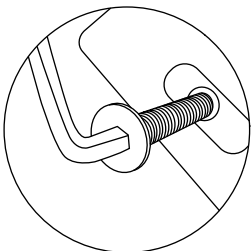
1. In order to create a sofa scenery for our Foku Chair there is an assembly set in the package of your Foku Chair. Inside the package, you will discover 4 screws, 2 brackets, and an allen key.



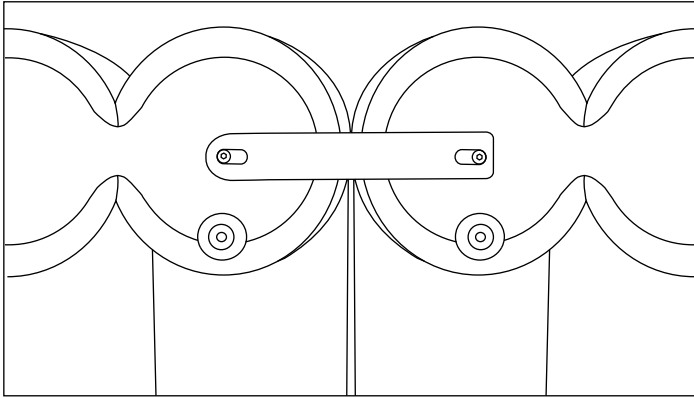
2. Place the chairs side by side and gently tilt them backward until they rest on the back legs. Locate two holes beneath the front legs and two holes beneath the back legs. It is advisable to have at least two people present during the assembly process.



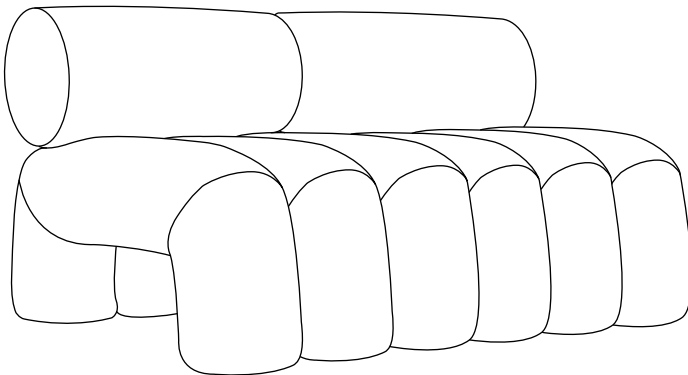
3. Align the bracket so that the screw hole is visible through the hole in the brackets. Utilize the allen key to secure the screw into the chair. Repeat this process on the corresponding chair.



4. Repeat the process on the opposite legs.



5. Modify the distance between the chairs. Please refer to the image above for the correct screw positions to ensure the chairs are positioned as closely as possible.



68. After completing the assembly, make sure all screws are tightened securely.



GLOBAL SALES INQUIRIES: SALES@101CPH.COM

SUPPORT INQUIRIES: SUPPORT@101CPH.COM

PRESS INQUIRIES: PRESS@101CPH.COM



PRESS KIT & IMAGEBANK PLEASE GO TO:

WWW.101CPH.COM OR SCAN THE QR CODE AND GAIN ACCESS TO OUR IMAGE BANK, CATALOGUE AND MORE.

SHOWROOM BY APPOINTMENT ONLY // ØSTERGADE 17, 3RD & 4TH FLOOR, 1100 COPENHAGEN, DENMARK.