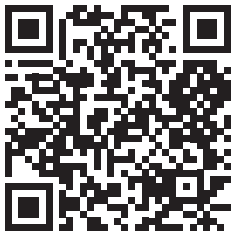
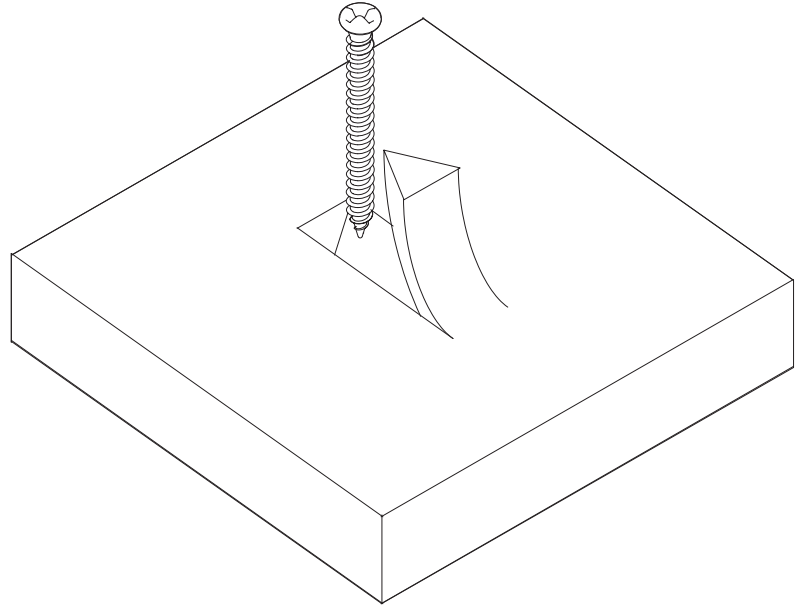


IMPACT ACOUSTIC®



# **Undercover** Mount System

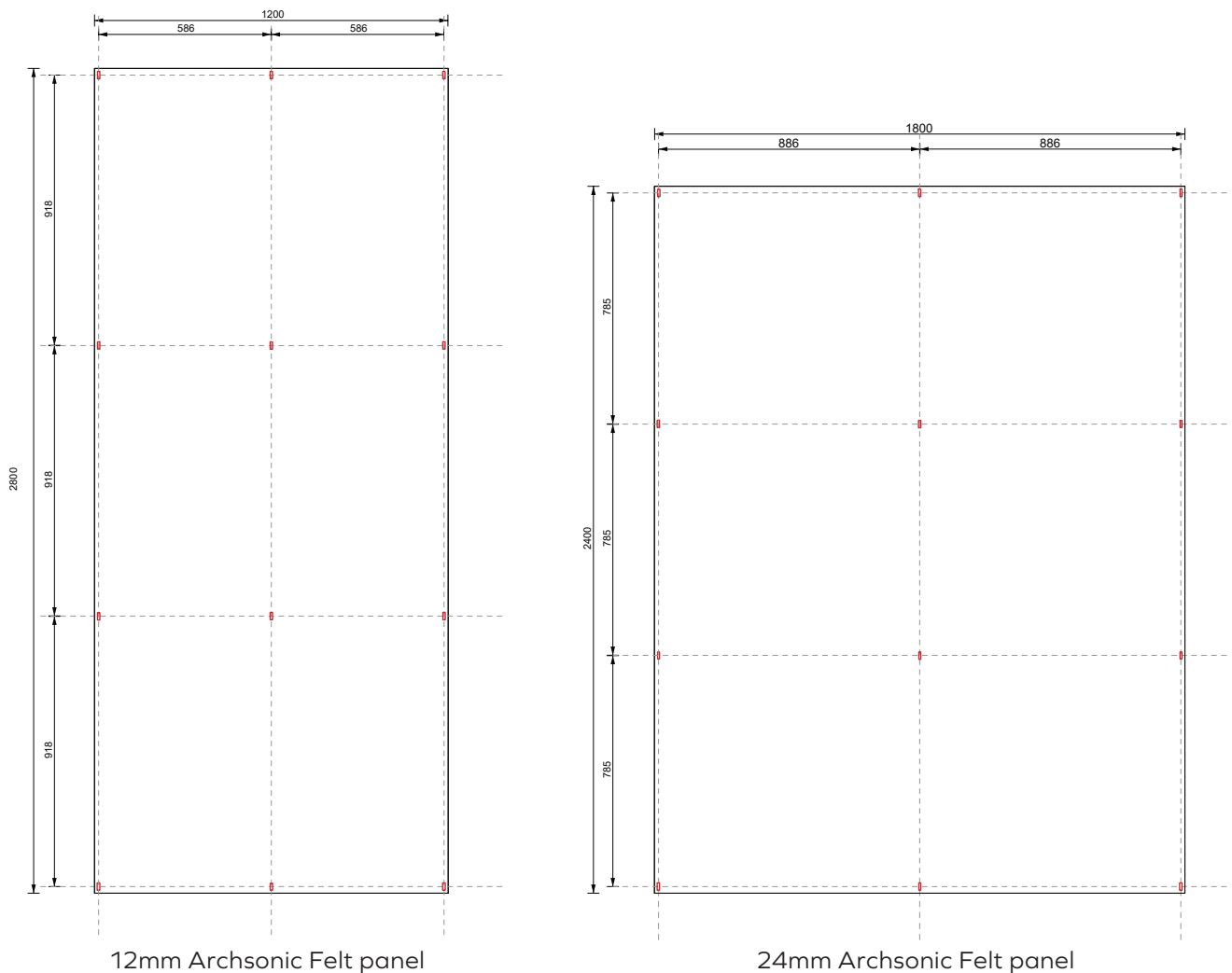
# Undercover Mount System

## Installation Guide

### Undercover Mount<sup>1,2</sup>

All our Wall Covering products come with pre-cut **Undercover** attachment points. Those points are distributed along the edge (10-15mm offset) and in the middle of the panel. The exact distribution might vary depending on the particular panel design.

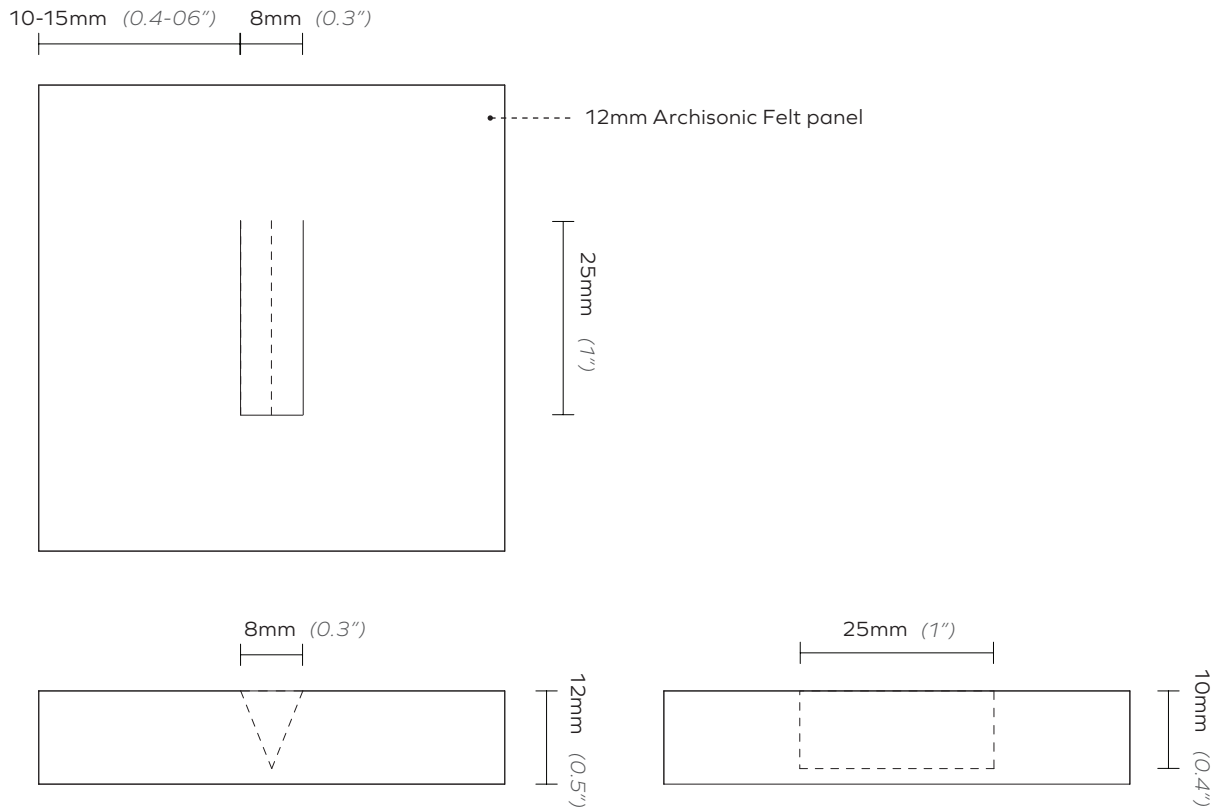
**Undercover** mounting system allows for concealed mechanical attachment of the panel to the mounting surface. The **installation hardware** (screws, bolts) needs to be selected in accordance to the surface on which panels are applied, and are **not included**.



1 - All dimensions are nominal 2 - Patent Pending No.10202400009088

# Undercover Mount System

## Geometry Information<sup>1</sup>



1 - All dimensions are nominal

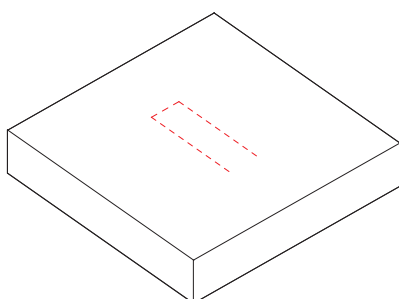
# Undercover Mount System

## Installation Guide

### Undercover Mount<sup>1</sup>

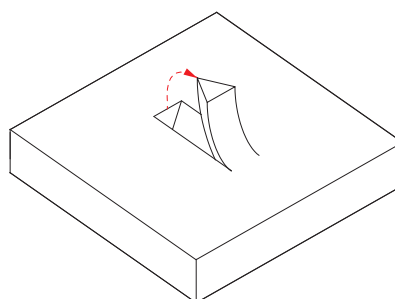
#### 1 Locate the Undercover cuts on the panel

Cuts are distributed along the edge (10-15mm offset) and in the middle of the panel.



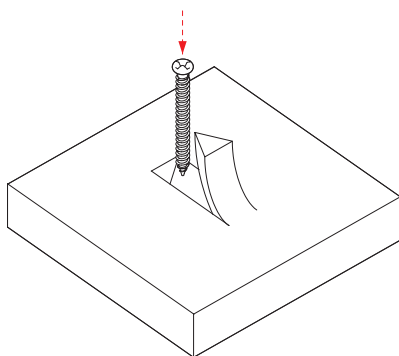
#### 2 Pull out the edge

Use a flat head screwdriver to pull out the loose edge of Undercover cut.



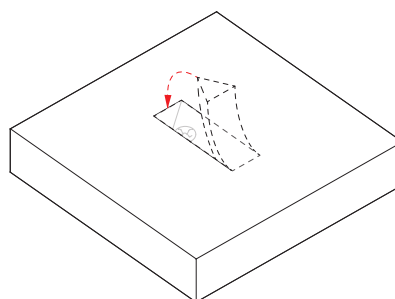
#### 3 Install hardware

The **installation hardware** (screws, bolts) needs to be selected in accordance to the surface on which panels are applied, and are **not included**.



#### 4 Close

Push in the Undercover cutout into original position.



1 - Patent Pending No.102024000009088

# Undercover Mount System

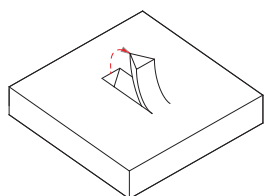
## Application preview

### Undercover Mount<sup>1</sup>

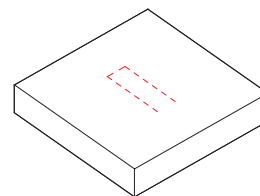
Closed Undercover cut is barely visible at the surface of the panel, even at the closeup view. See the picture below that shows open and closed Undercover cut integrated in our Vertigo Wall Covering panel.



Open Undercover cut



Closed Undercover cut



1 - Patent Pending No.102024000009088

**#We  
Make An  
Impact**

[connect@impactacoustic.com](mailto:connect@impactacoustic.com) | [www.impactacoustic.com](http://www.impactacoustic.com)