

BUSTER+PUNCH

LONDON

[product.]

TUBULAR LATCHES / PASSAGE / PRIVACY

[type. **SPRUNG DOOR LATCHES.**]

[range. **DOOR HARDWARE.**]

[region. **NORTH AMERICA.**]

Passage and privacy tubular latches, designed to work in conjunction with our North American door lever handles and door knobs. A sprung latch ensures a consistent feel everytime you open the door. Works great on all internal doors. Latches come with strike plates and face plates machined in five solid metal finishes: Steel, brass, smoked bronze, gun metal and black. Latch tongues come in matching brass or steel.



[finish. **SMOKED BRONZE.**]



[finish. **STEEL.**]



[finish. **BRASS.**]



[finish. **BLACK.**]



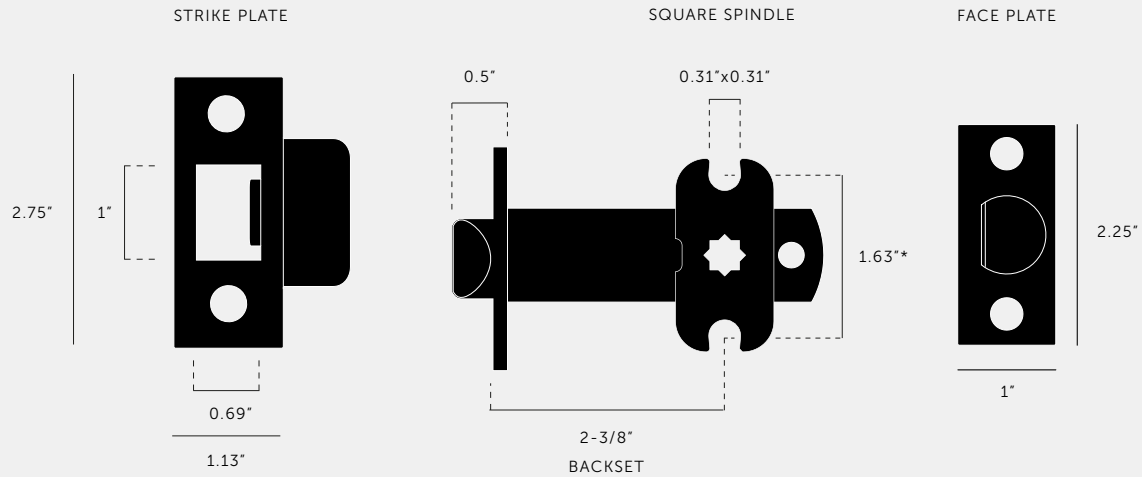
[finish. **GUN METAL.**] *

* not available in 3-3/4" backset for Door Knobs

[type. **PASSAGE / 2-3/8" BACKSET.**]

[designed for. **DOOR HANDLES.**]

[info. **MEASUREMENTS.**]



[info. **SPECIFICATIONS.**]

North American specification passage tubular latch, supplied with a plastic latch block with a 1.63"* centre to centre distance, 2-3/8" backset.

For use with North American specification passage door lever handles. Suitable for interior doors only.

0.31" x 0.31" square split spindle (supplied with B+P door lever handle sets)

[info. **FINISH & SKU NUMBERS.**]

[finish.]	[SKU.]
● Steel	NLL-07173
● Brass	NLL-05171
● Black	NLL-02170
● Smoked Bronze	NLL-09172
● Gun Metal	NLL-352220

[info. **CARE INSTRUCTIONS.**]

Wipe with damp cloth with no loose hairs, avoid using any chemicals. All finishes are prone to aging.

[info. **INCLUDED.**]

1 x Passage tubular latch

1 x face plate

1 x strike plate

1 x plastic dust box

1 x plastic latch block

all required fixings (including matching finish woodscrews)

[please. **NOTE.**]

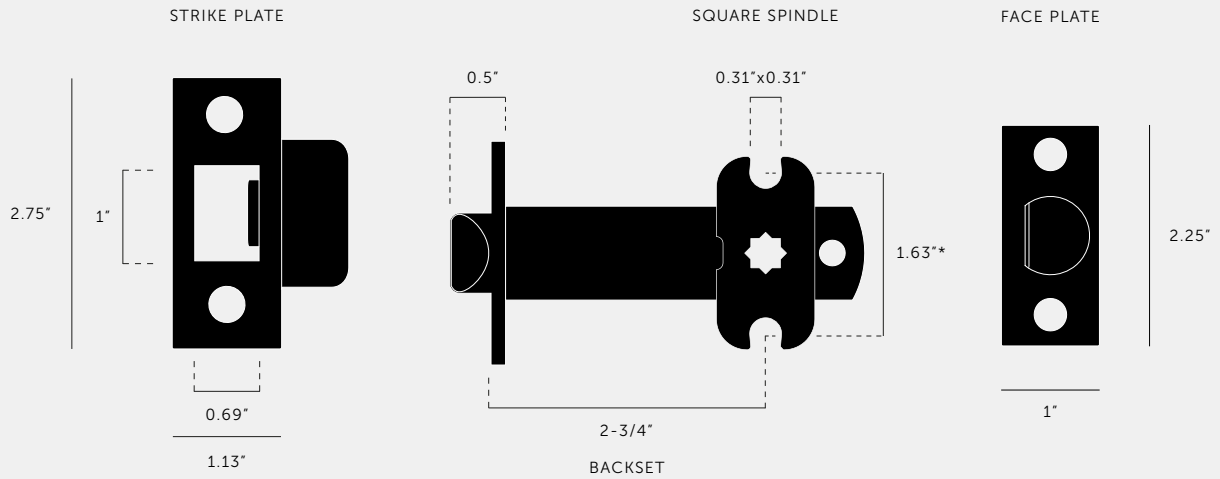
*This number indicates the centre to centre measurement for the through bolt holes that are used to fit the door. 1.63" is standard for North America and Canada.

DISCLAIMER: Always consult a trade professional when installing these tubular latches. Buster + Punch is not responsible for the usage or feasibility of installation requirements. This product is not suitable for damp or wet environments.

[type. **PASSAGE / 2-3/4" BACKSET.**]

[designed for. **DOOR HANDLES.**]

[info. **MEASUREMENTS.**]



[info. **SPECIFICATIONS.**]

North American specification passage tubular latch, supplied with a plastic latch block with a 1.63** centre to centre distance, 2-3/4" backset.

For use with North American specification passage door lever handles. Suitable for interior doors only.

0.31" x 0.31" square split spindle (supplied with B+P door lever handle sets)

[info. **FINISH & SKU NUMBERS.**]

[finish.]	[SKU.]
 Steel	NLL-07177
 Brass	NLL-05175
 Black	NLL-02174
 Smoked Bronze	NLL-09176
 Gun Metal	NLL-352221

[info. **CARE INSTRUCTIONS.**]

Wipe with damp cloth with no loose hairs, avoid using any chemicals. All finishes are prone to aging.

[info. **INCLUDED.**]

1 x Passage tubular latch

1 x face plate

1 x strike plate

1 x plastic dust box

1 x plastic latch block

all required fixings (including matching finish woodscrews)

[please. **NOTE.**]

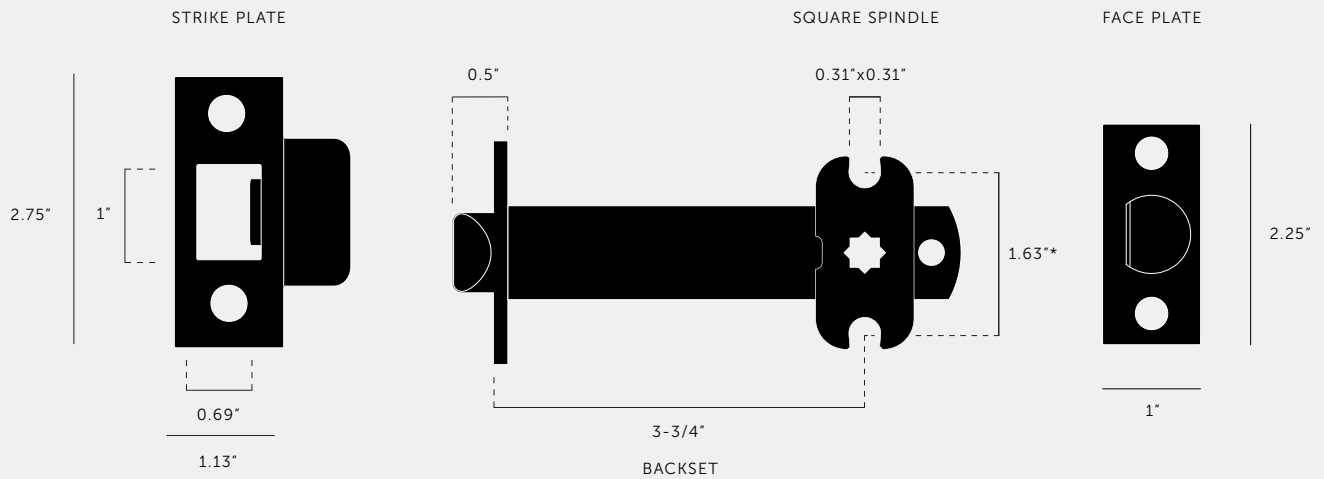
*This number indicates the centre to centre measurement for the through bolt holes that are used to fit the door. 1.63" is standard for North America and Canada.

DISCLAIMER: Always consult a trade professional when installing these tubular latches. Buster + Punch is not responsible for the usage or feasibility of installation requirements. This product is not suitable for damp or wet environments.

[type. **PASSAGE / 3-3/4" BACKSET.**]

[designed for. **DOOR KNOBS.**]

[info. **MEASUREMENTS.**]



[info. **SPECIFICATIONS.**]

North American specification passage tubular latch, supplied with a plastic latch block with a 1.63"* centre to centre distance, 3-3/4" backset.

For use with North American specification passage door knobs. Suitable for interior doors only.

0.31" x 0.31" square split spindle (supplied with B+P door lever handle sets)

[info. **FINISH & SKU NUMBERS.**]

[finish.]	[SKU.]
Steel	NLL-07194
Brass	NLL-05195
Black	NLL-02197
Smoked Bronze	NLL-09196
Gun Metal	NLL-35222

[info. **CARE INSTRUCTIONS.**]

Wipe with damp cloth with no loose hairs, avoid using any chemicals. All finishes are prone to aging.

[info. **INCLUDED.**]

1 x Passage tubular latch

1 x face plate

1 x strike plate

1 x plastic dust box

1 x plastic latch block

all required fixings (including matching finish woodscrews)

[please. **NOTE.**]

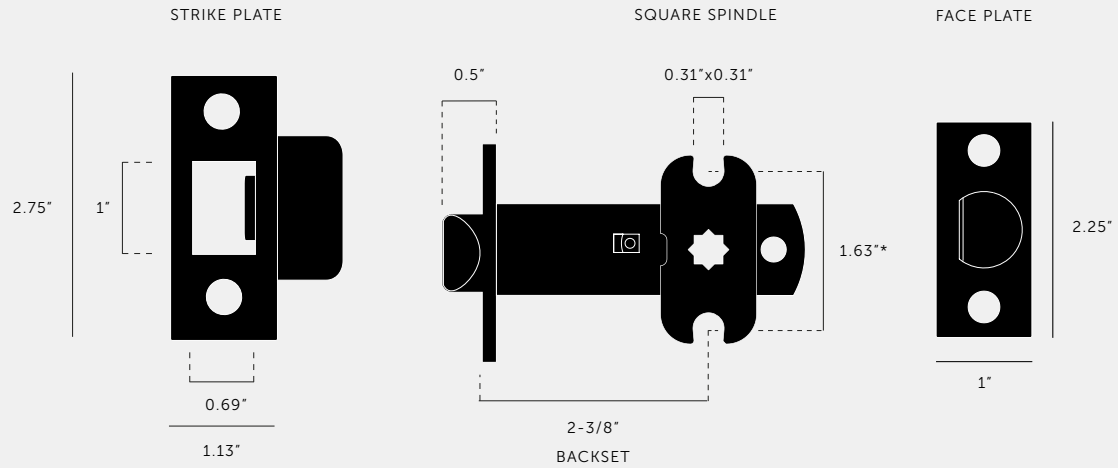
*This number indicates the centre to centre measurement for the through bolt holes that are used to fit the door. 1.63" is standard for North America and Canada.

DISCLAIMER: Always consult a trade professional when installing these tubular latches. Buster + Punch is not responsible for the usage or feasibility of installation requirements. This product is not suitable for damp or wet environments.

[type. **PRIVACY / 2-3/8" BACKSET.**]

[designed for. **DOOR HANDLES.**]

[info. **MEASUREMENTS.**]



[info. **SPECIFICATIONS.**]

North American specification privacy tubular latch, supplied with a plastic latch block with a 1.63** centre to centre distance, 2-3/8" backset.

For use with North American specification privacy door lever handles. Suitable for interior doors only.

0.31" x 0.31" square split spindle (supplied with B+P door lever handle sets)

[info. **FINISH & SKU NUMBERS.**]

[finish.]	[SKU.]
 Steel	NLL-07193
 Brass	NLL-05191
 Black	NLL-02190
 Smoked Bronze	NLL-09192
 Gun Metal	NLL-352223

[info. **CARE INSTRUCTIONS.**]

Wipe with damp cloth with no loose hairs, avoid using any chemicals. All finishes are prone to aging.

[info. **INCLUDED.**]

1 x Privacy tubular latch

1 x face plate

1 x strike plate

1 x plastic dust box

1 x plastic latch block

all required fixings (including matching finish woodscrews)

[please. **NOTE.**]

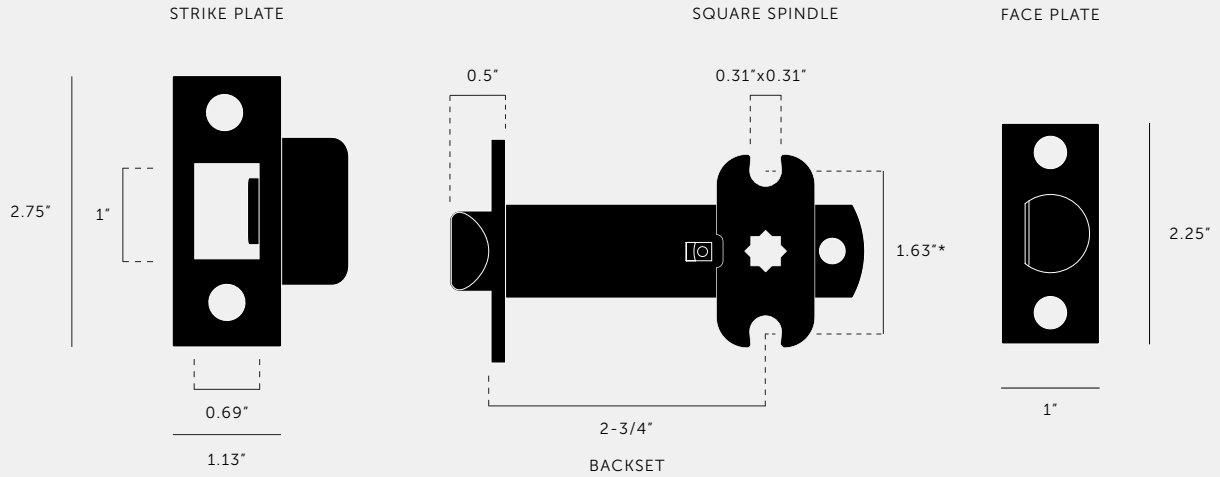
*This number indicates the centre to centre measurement for the through bolt holes that are used to fit the door. 1.63" is standard for North America and Canada.

DISCLAIMER: Always consult a trade professional when installing these tubular latches. Buster + Punch is not responsible for the usage or feasibility of installation requirements. This product is not suitable for damp or wet environments.

[type. **PRIVACY / 2-3/4" BACKSET.**]

[designed for. **DOOR HANDLES.**]

[info. **MEASUREMENTS.**]



[info. **SPECIFICATIONS.**]

North American specification privacy tubular latch, supplied with a plastic latch block with a 1.63** centre to centre distance, 2-3/4" backset.

For use with North American specification privacy door lever handles. Suitable for interior doors only.

0.31" x 0.31" square split spindle (supplied with B+P door lever handle sets)

[info. **FINISH & SKU NUMBERS.**]

[finish.]	[SKU.]
Steel	NLL-07193
Brass	NLL-05191
Black	NLL-02190
Smoked Bronze	NLL-09192
Gun Metal	NLL-352224

[info. **CARE INSTRUCTIONS.**]

Wipe with damp cloth with no loose hairs, avoid using any chemicals. All finishes are prone to aging.

[info. **INCLUDED.**]

1 x Privacy tubular latch

1 x face plate

1 x strike plate

1 x plastic dust box

1 x plastic latch block

all required fixings (including matching finish woodscrews)

[please. **NOTE.**]

*This number indicates the centre to centre measurement for the through bolt holes that are used to fit the door. 1.63" is standard for North America and Canada.

DISCLAIMER: Always consult a trade professional when installing these tubular latches. Buster + Punch is not responsible for the usage or feasibility of installation requirements. This product is not suitable for damp or wet environments.