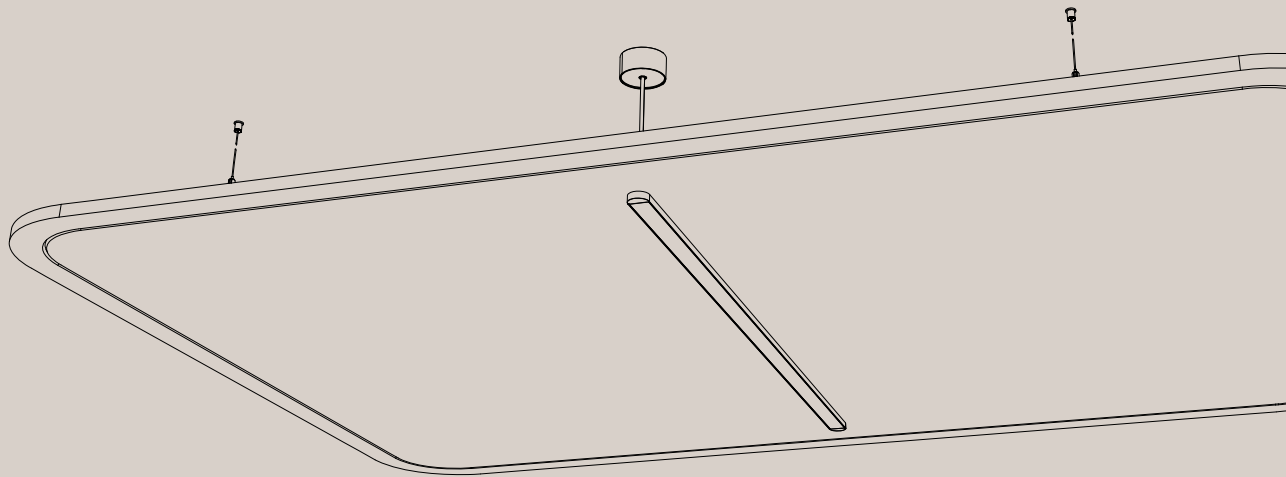


IMPACT ACOUSTIC®



**Bysso**

Acoustic Lighting

723.24.20.000.00

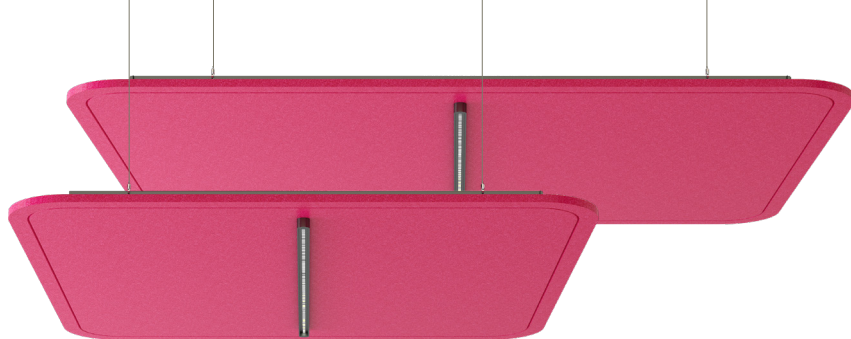
723.24.21.000.00

723.24.22.000.00

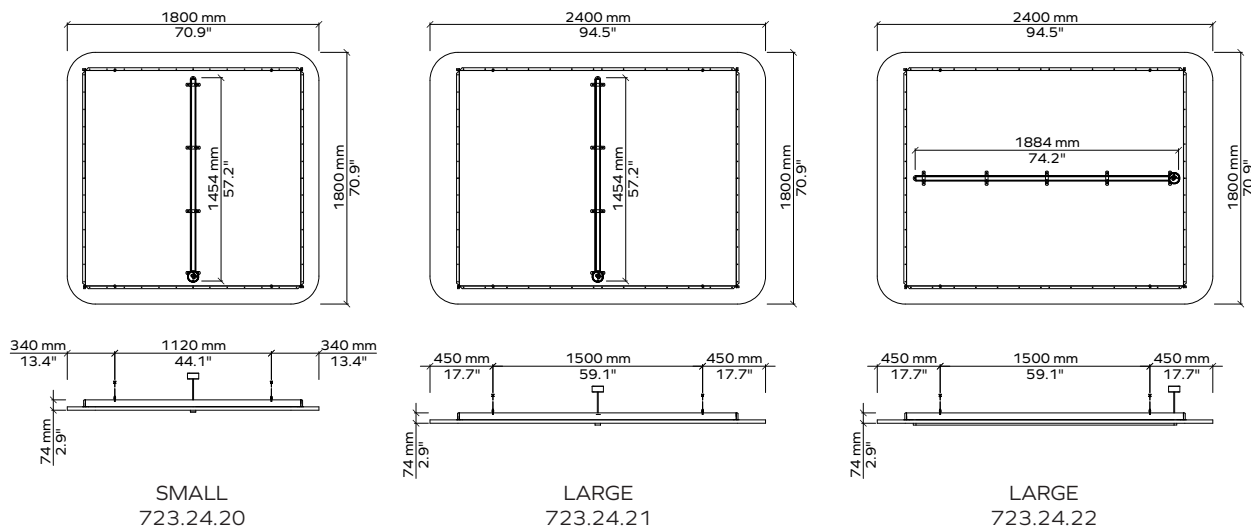
TECHNICAL DATA SHEET

# Byssso

## Acoustic Lighting



### PRODUCT DIMENSIONS



### ARTICLE NUMBERS

Lighting Product	Product Size	Color code	CCT	North American Market
723.24.	21 (Small)	Choose color as shown on pg. 3	27 (2700K)	Add an A at the end of the CCT code to indicate this product is for North America
	22 (Large)		30 (3000K)	
	23 (Large)		35 (3500K)	
			40 (4000K)	

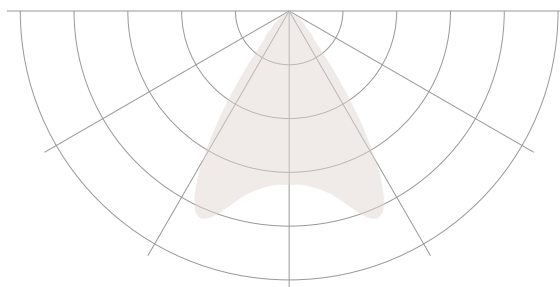
#### Example: 723.24.20.706.35A

Byssso Small [(1800x1800mm/70.9x70.9", Spearmint 706 color, 3500K CCT, 110-277V (North America)]

### LIGHTING SPECIFICATIONS

	Linear Light 1454	Linear Light 1884
Output	Direct	
Total Lumen Output (lm)	3061	3980
Wattage	31	41
Efficacy (lm/W)	99	97
Diffuser	Glare-free reflector	
Beam Angle	108	
CCT	2700-3000-3500-4000K	
CRI	90+	
MacAdam	3	
Voltage	220 - 240 V / 120V	
Dimming	0.1% DSI/DALI Dimming	
Driver Location	On-Board	

### LIGHT DISTRIBUTION GRAPH



### CERTIFICATIONS



# ARCHISONIC®

## Colors

 Material brochure available



Name	Snow White	Milk	Cloud	Smoke	Ground	Charcoal	Slate	Raven
Color Code	500	404	103	442	108	542	444	550
NCS Code	S 0300-N	S 0502-Y	S 1002-B	S 3005-R80B	S 5005-Y20R	S 7502-B	S 4500-N	S 8500-N



Name	Nordic Pine	Grove	Moss	Spearmint	Ice Blue	Succulent	Deep Sea	Marine Blue
Color Code	311	317	439	706	304	712	918	864
NCS Code	S 5030-G10Y	S 7020-G30Y	S 2040-G40Y	S 1010-B90G	S 0510-B	S 3020-B30G	S 5020-R90B	S 4050-R70B



Name	Linen	Shell Pink	Jute	Warm Stone	Terracotta	Soft Coral	Honeycomb	Sunshine
Color Code	107	102	920	105	239	516	139	846
NCS Code	S 1505-Y30R	S 0510-R30B	S 3010-Y30R	S 3010-Y50R	S 4040-Y70R	S 2020-Y90R	S 2050-Y20R	S 1040-Y10R



Name	Garnet	Hot Pink	Poster Red	Electric Orange	Winter Sky	Pacific Ocean	Midnight	Grape
Color Code	724	140	662	464	311	432	810	540
NCS Code	S 5040-R10B	S 2060-R20B	S 1080-R	S 0580-Y70R	S 5030-G10Y	S 3040-B	S 7020-R70B	S 5040-R40B

These NCS codes are the closest visual match available and may not be exact to blended fibres.

**ARCHISONIC®**

## Colors

Experience our ARCHISONIC® Felt material with a stunning selection of 32 colors across 8 distinct families, thoughtfully curated by *Colour Hive* in London. Effortlessly combine colors harmoniously to suit your preferences. Discover more in our Materials brochure and order your free sample box today.

## Color fastness

Class 6

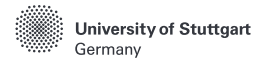
ISO 105-B02:A1

## Order a free sample box



# Bysso

## Acoustic Performance



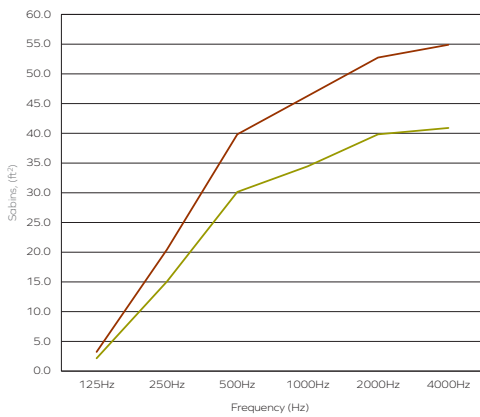
### Testing Standards

ISO 354:2003	Acoustics — Measurement of sound absorption in a reverberation room
ISO 11654:1997	Acoustics — Sound absorbers for use in buildings — Rating of sound absorption
ISO 20189:2018	Acoustics — Screens, furniture and single objects intended for interior use — Rating of sound absorption and sound reduction of elements based on laboratory measurements
ASTM C423-17	Standard Test Method for Sound Absorption and Sound Absorption Coefficients by the Reverberation Room Method
ASTM E795-16	Standard Practices for Mounting Test Specimens During Sound Absorption Tests

### Acoustic Test Results

	$\alpha_w$	SAA	NRC
24mm Ceiling Panel 1800x2400mm <sup>1</sup>	0.75 (MH)	0.85	0.85
12mm Ceiling Panel 1200x2800mm <sup>1</sup>	0.65 (H)	0.74	0.75
24mm Ceiling Panel 1800x2400mm <sup>2</sup>	0.55 (MH)	0.72	0.70

1 - Measured with 200mm airgap and open edges  
 2 - Measured with 200mm airgap, open edges and 18% perforation

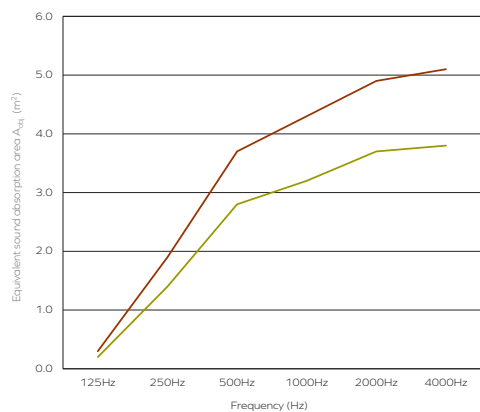


### Acoustic Performance - ASTM Sabins , ft<sup>2</sup>

Frequency (Hz)	125	250	500	1000	2000	4000
24mm Bysso (Small)	2.15	15.07	30.14	34.44	39.83	40.90
24mm Bysso (Large)	3.23	20.45	39.83	46.28	52.74	54.90

The graph represents the Sabins (ft<sup>2</sup>) in the third octave band center frequencies. Measurement used Pink Noise as excitation signal in a reverberant room.

- 24mm Bysso (Small)
- 24mm Bysso (Large)



### Acoustic Performance - ISO $A_{obj}$ , m<sup>2</sup>

Frequency (Hz)	125	250	500	1000	2000	4000
24mm Bysso (Small)	0.2	1.4	2.8	3.2	3.7	3.8
24mm Bysso (Large)	0.3	1.9	3.7	4.3	4.9	5.1

The graph represents the equivalent sound absorption per object ( $A_{obj}$ ) in the third octave band center frequencies. Measurement used Pink Noise as excitation signal in a reverberant room.

- 24mm Bysso (Small)
- 24mm Bysso (Large)

# ARCHISONIC® Felt

## Material Specification

<b>Product Name</b>	Archisonic® Felt	
<b>Content</b>	100% PET (60% certified post-consumer content)	
<b>Thickness<sup>1</sup></b>	12mm (0.47")	24mm (0.94")
<b>Max. Size</b>	1200x2800mm (47"x110")	1800x2400mm (70"x94")
<b>Acoustic<sup>2</sup></b>	<b>ASTM:</b> NRC=0.6 <b>ISO:</b> αw=0.65	<b>ASTM:</b> NRC=0.9 <b>ISO:</b> αw=0.95
<b>Density<sup>1</sup></b>	2400 g/m <sup>2</sup> (0.49 lbs/ sqft)	4000 g/m <sup>2</sup> (0.82 lbs/sqft)
<b>Color Fastness</b>	<b>Class 6</b> ISO 105-B02:A1	
<b>Color</b>	<b>32 colors</b> (see Archisonic® Felt Color page for more information)	
<b>Maintenance</b>	For daily cleaning we recommend alcohol solution (75%), e.g. Pantasept. In case of contamination by dust or fluff, use feather duster or a regular vacuum cleaner. For heavy dirt, treat the material with hydrogen peroxide.	
<b>Lead time<sup>3</sup></b>	21 days	
<b>Fire Rating</b>	DIN EN 13501-1: <b>B-s1, d0</b>	ASTM E84 <b>Class A</b>
<b>VOC Emission</b>	28 Days French Regulation <b>A+</b> ASTM E84 <b>Pass</b> Breeam® (International, UK, NL, SE, NOR) <b>Exemplary</b> CDPH (CDPH/EHLB/Standard Method V1.2) <b>Pass</b>	
<b>Certifications</b>	Declare label, Cradle to Cradle, UL Environmental Product Declaration, Member of US Green Building Council, Ecobau 1st Priority, Climmate-KIC, VOC emissions in LEED EQ credit (low-emitting products), SCS Recycled Content	
<b>Durability</b>	Contract	

1 - all values are nominal 2 - measured with 300mm air cavity 3 - depending on the location and type of product



Climate-KIC is supported by the EIT, a body of the European Union



**Declare.**



# Bysson

## Acoustic Lighting

### Online Resources

A variety of resources are available online for all of our products. Please visit the product's page for more information.



CAD files  
IES/LDT files



Spec sheets and  
Installation Guide



Color families



Instruction  
videos



Associated  
products specs.

### Ordering Process

Our experienced team of Project Consultants will guide and support you throughout the order process. We fulfill the majority of our orders in as little as 21 days<sup>1</sup> from your first point of contact, allowing you to focus on what truly matters to you.



Contact our  
consultant

Quote<sup>1</sup>

48 h



Order Confirmation

Production<sup>1</sup>

2 - 3 weeks



Dispatch

Transit

location based



Delivery

### Contact Us

Ready to make an impact? We are just an email or call away to discuss your project and answer any question.



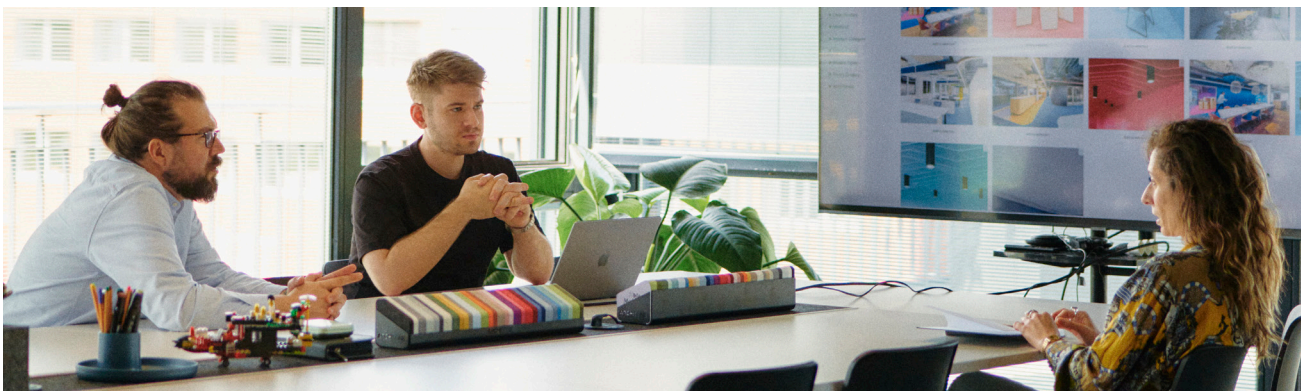
+41 41 566 55 55



connect@impactacoustic.com



Online form



<sup>1</sup> - Quote and Production times may vary.

**#We  
Make An  
Impact**

[connect@impactacoustic.com](mailto:connect@impactacoustic.com) | [www.impactacoustic.com](http://www.impactacoustic.com)