

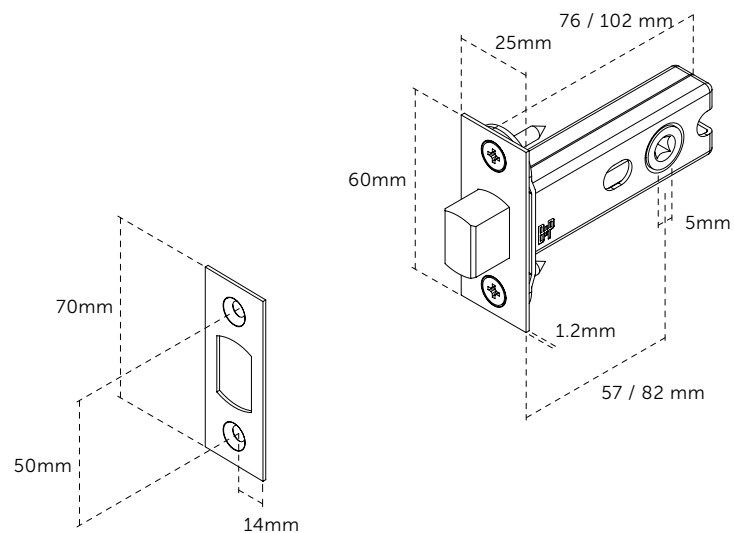
BUSTER + PUNCH

LONDON

DEADBOLT LATCH

DOOR PREPERATION

INSTRUCTION MANUAL

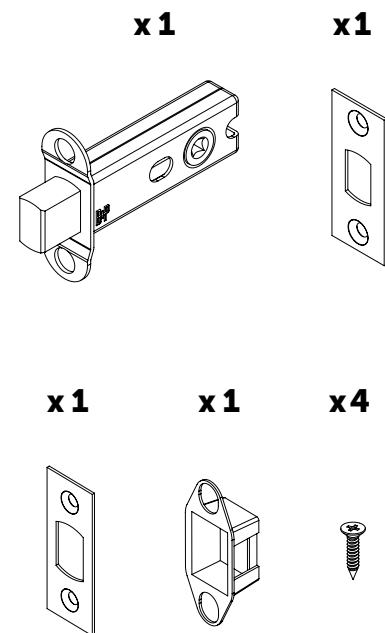


CARE INSTRUCTIONS

Use mild detergent and soft damp cloth.

BUSTERANDPUNCH.COM

CONTENTS

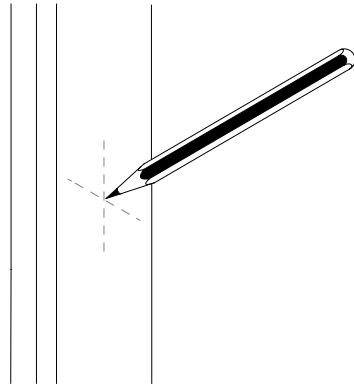


DIMENSIONS APPROXIMATE. USE PARTS AS TEMPLATES FOR DOOR PREPARATION.

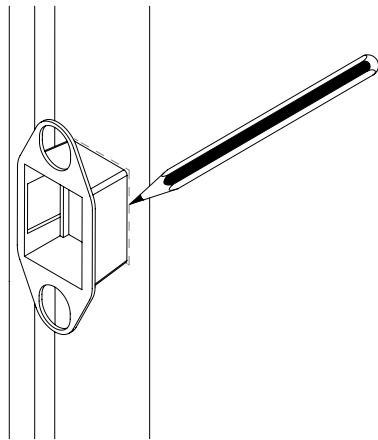
NOTE: INSTALLATION INSTRUCTION MANUAL APPLICABLE FOR US TUBULAR LATCHES SUPPLIED BY BUSTER + PUNCH. PRODUCT VARIATIONS COVERED BY THIS INSTRUCTION MANUAL ARE LISTED BELOW:

TUBULAR DEADBOLT LATCH / FOR THUMBTURN LOCK / 57mm BACKSET
TUBULAR DEADBOLT LATCH / FOR THUMBTURN LOCK / 82mm BACKSET

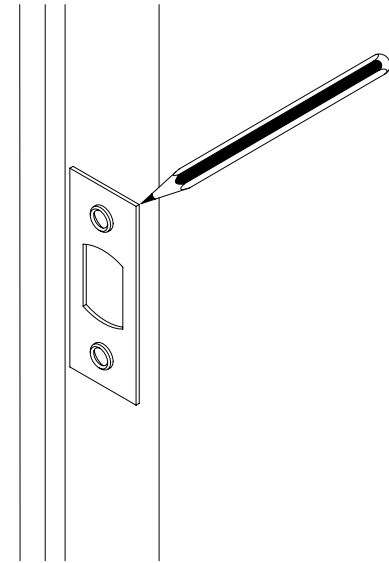
1 DOOR JAM PREPERATION



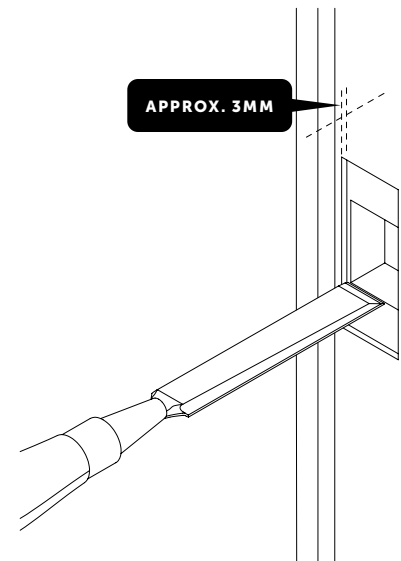
2



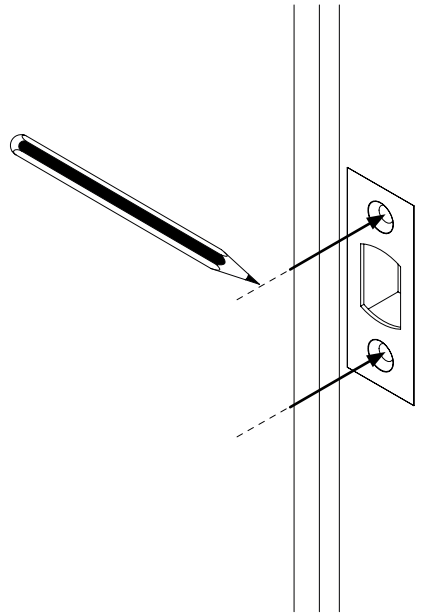
3



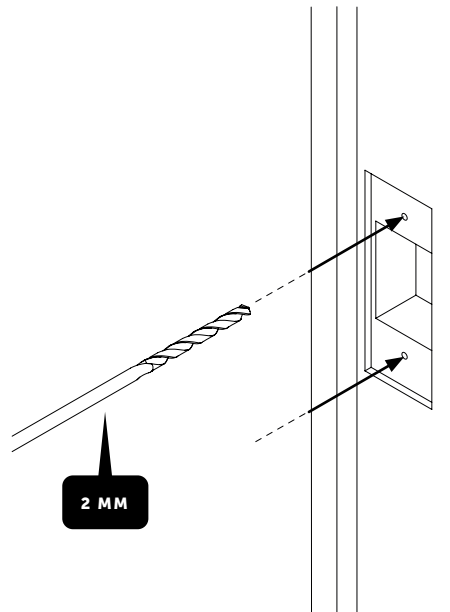
4 CHISEL UNTIL FACE PLATE FLUSH.



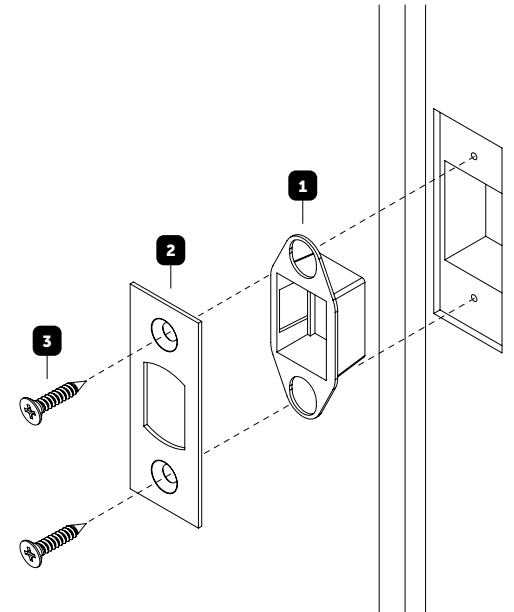
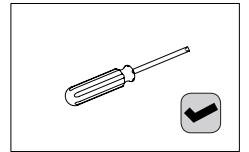
5



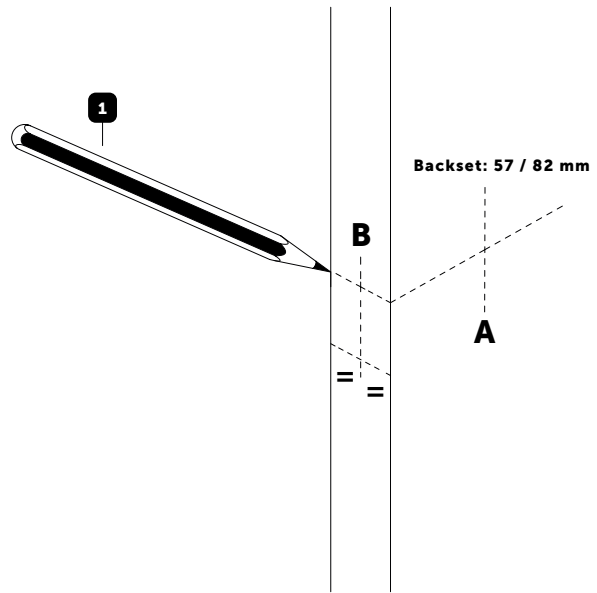
6



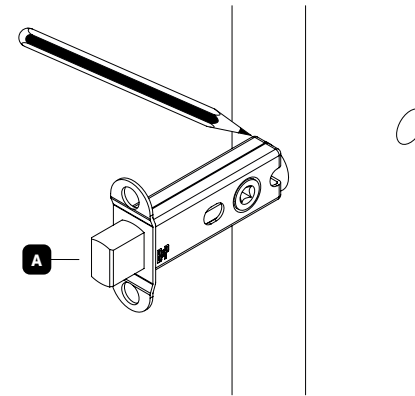
7



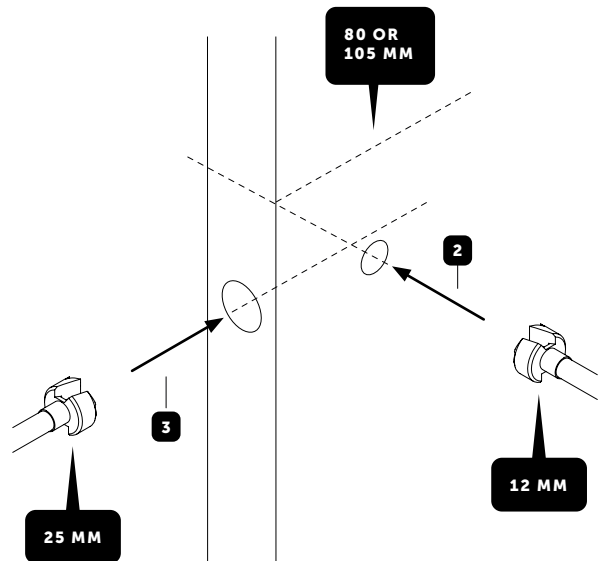
1 DOOR PREPARATION



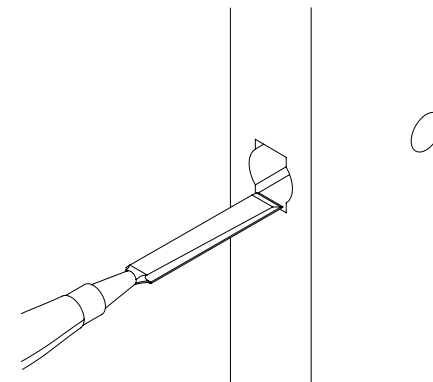
3



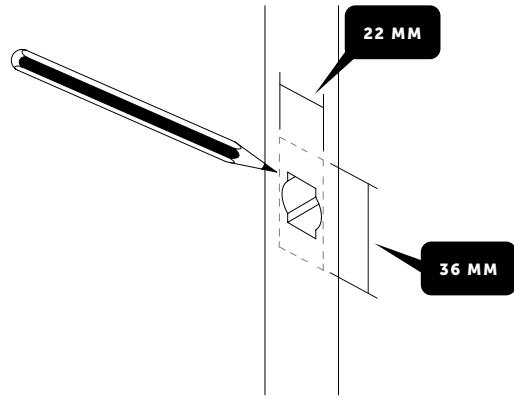
2



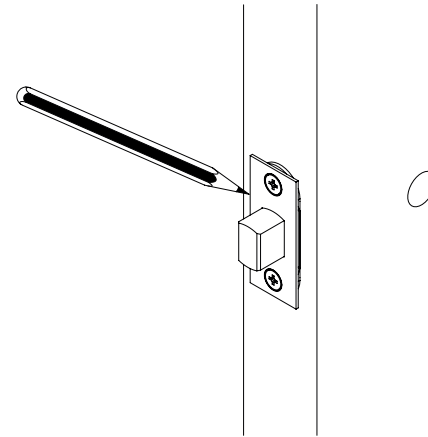
4



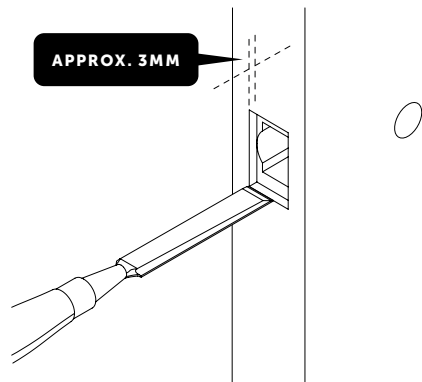
5



7

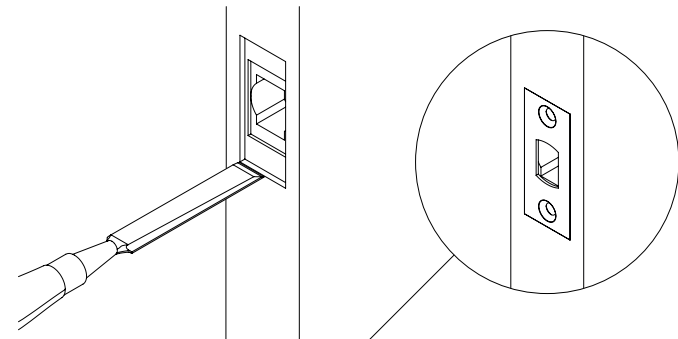


6

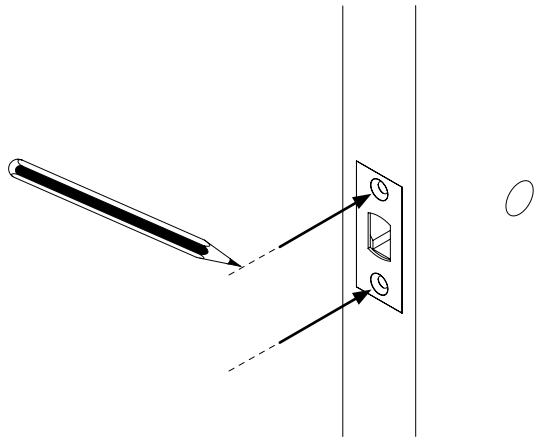


8

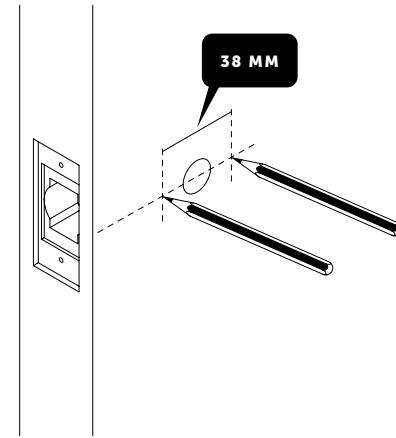
CHISEL UNTIL
FACE PLATE
FLUSH.



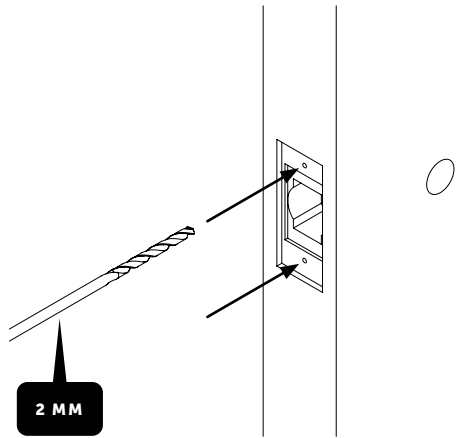
9



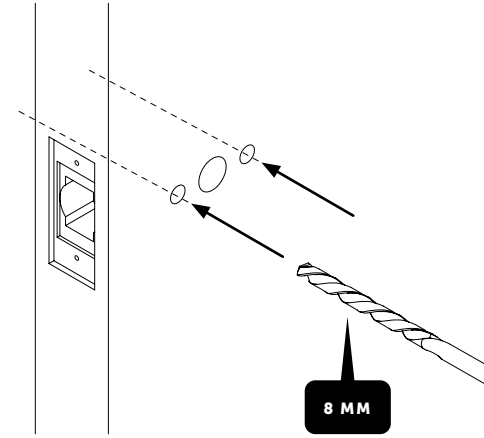
11



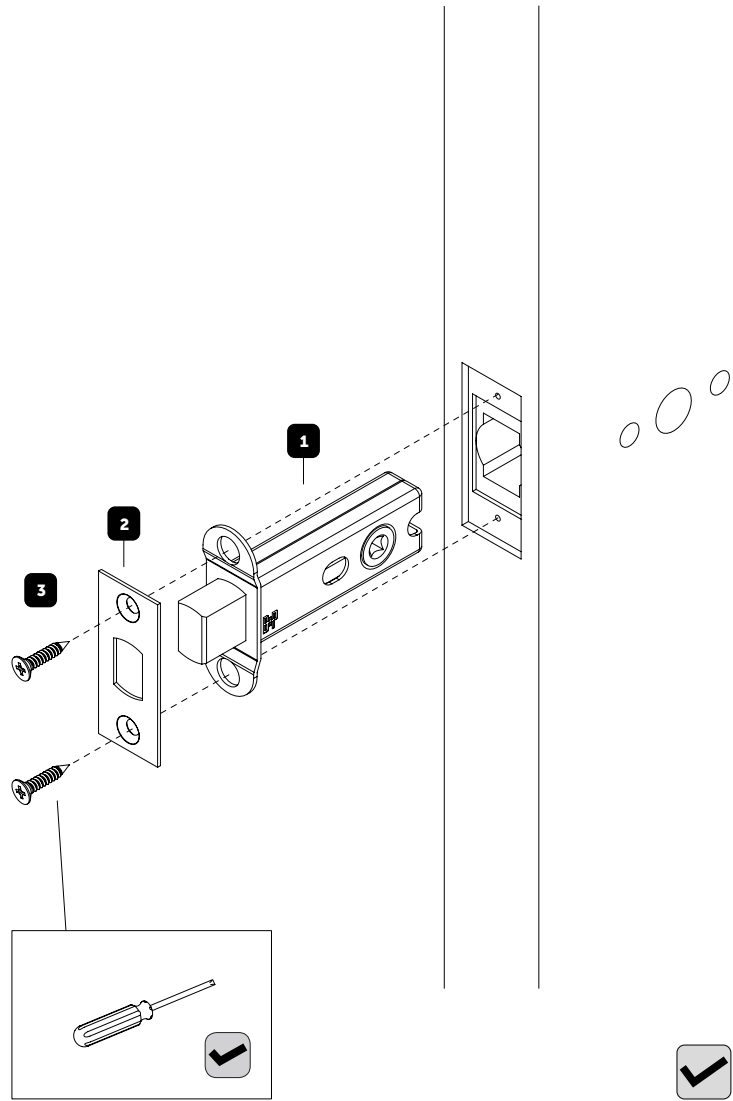
10



12



13



[end. ORDINARY]