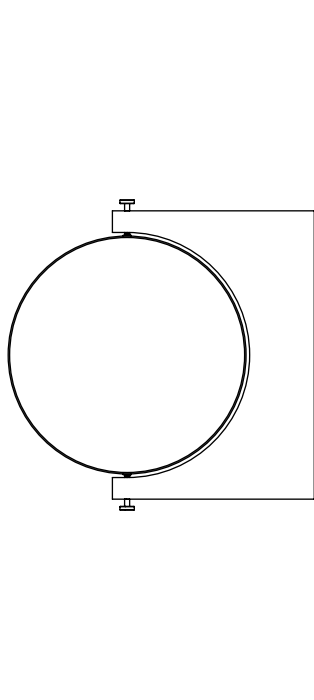
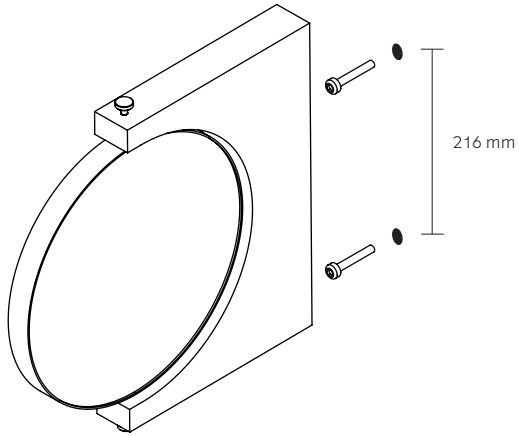


Pepe Marble Mirror, Wall by Studio Pepe



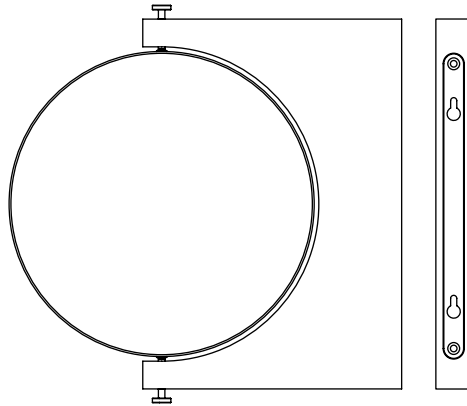
MENU

1

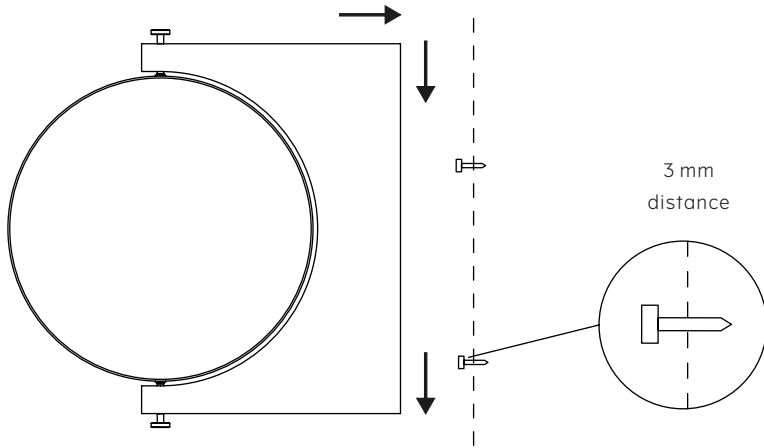


Use screws and wall plugs that are suitable for the walls in your home. If you are uncertain as to which types of screws/wall plugs to use, you should ask your DIY store. To avoid risk of pulling or extra weight onto the mirror please do not hang anything on the mirror such as towel, scarves or other items.

2



3



Note: It is important for the Pepe Marble Mirror, Wall, that the screw is 3 mm out from the wall surface, due to the thickness of the wall mounting plate. This is to ensure tight fit against wall.

4

