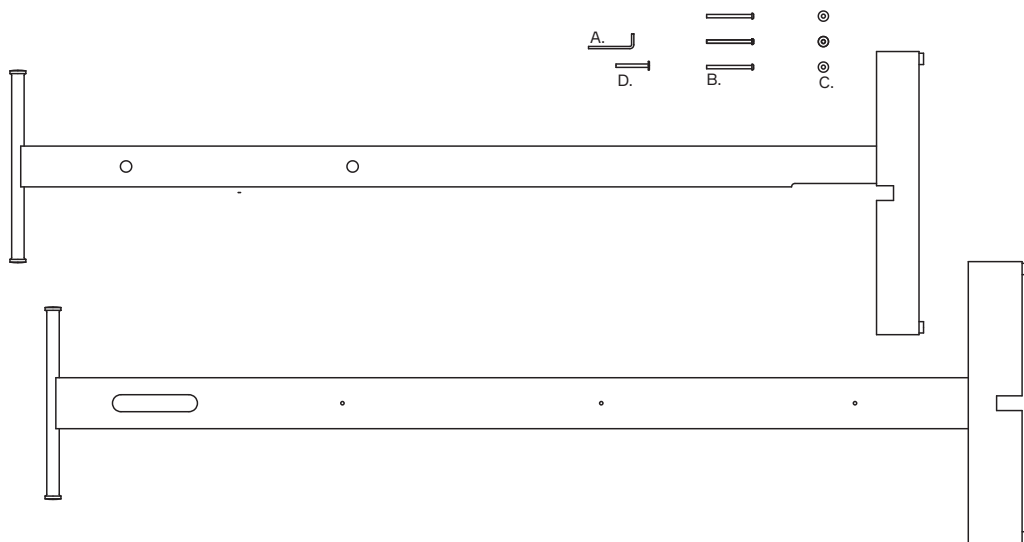


## FOYER COAT STAND

Assembly guide



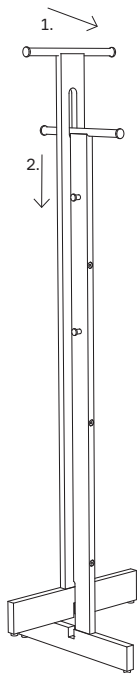
### COMPONENTS

---

Place the components on a blanket to avoid scratches on the floor and on the Foyer Coat Stand.

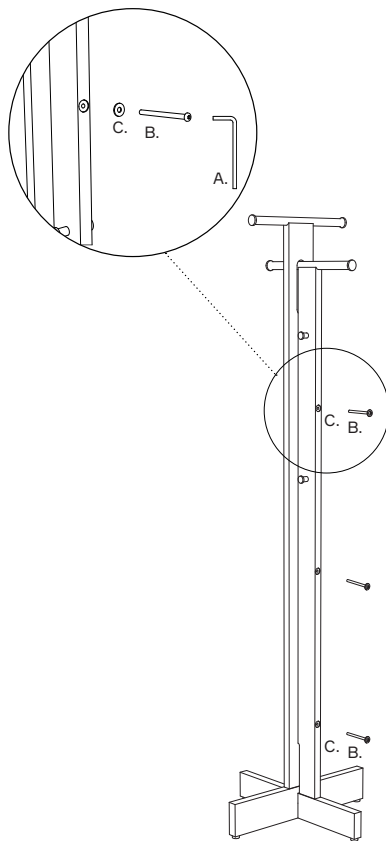
## FOYER COAT STAND

Assembly guide



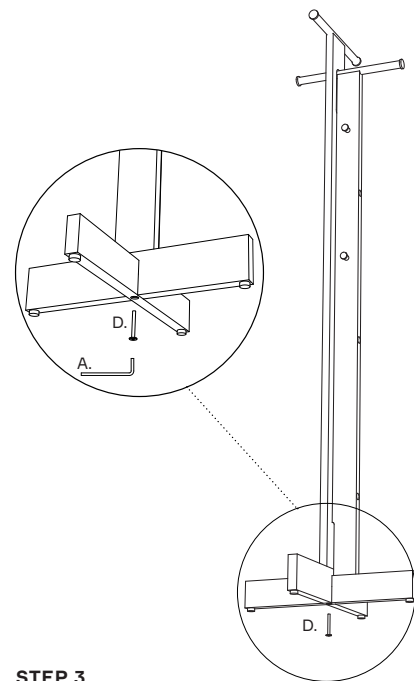
### STEP 1

Assemble the two parts of the Foyer Coat Stand by pushing them together, as shown in the diagram.



### STEP 2

Mount the tree supplied screws (B) together with the tree washers (C) using the Allen key (A.)



### STEP 3

Mount the last screw (D) to the bottom of the Foyer Coat Stand.  
You can now use adjustment gliders to make the Foyer Coat Stand stand straight.