

# Audo

COPENHAGEN



SNAREGADE DINING TABLE, RECTANGULAR  
Designed by *Danielle Siggerud*

Rectangular dining table with a tabletop in painted oak veneer or dark stained oak set on a powder coated steel base.

PRODUCT OPTIONS

*Tabletop*



BLACK OAK



DARK STAINED OAK

*Powder coated steel base*



BLACK STEEL



TECHNICAL SPECIFICATIONS

PRODUCT TYPE  
Dining table

COLLI  
1

ENVIRONMENT  
Indoor

DIMENSIONS  
H: 73 cm / 28,7"  
D: 90 cm / 35,4"  
L: 200 cm / 78,7"

PRODUCTION PROCESS  
The tabletop is crafted from FSC certified oak veneer glued on MDF, CNC machine-cut. The frame is welded together from steel tubes and the surface is finished with powder coating.

COLOUR

*Wooden tabletop*  
Black oak veneer (RAL 9005)  
Dark stained oak

*Base*  
Black (RAL 9005)

GLOSS  
Gloss 10-20

MATERIALS  
Painted or dark stained oak veneer, MDF and powder coated steel

WEIGHT  
Tabletop: 34,2 kg / 75,4 lb  
Base: 16,9 kg / 37,3 lb

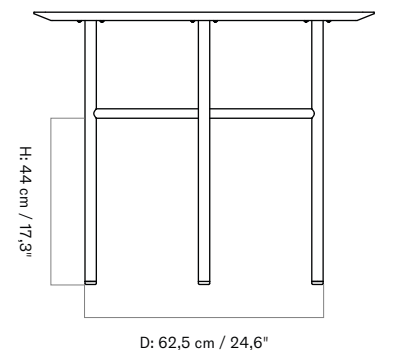
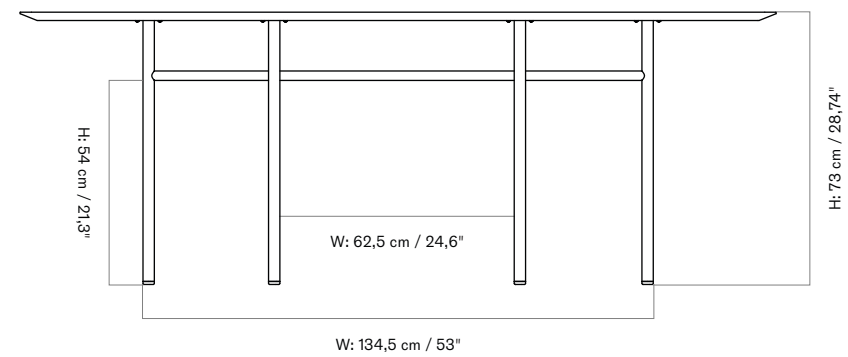
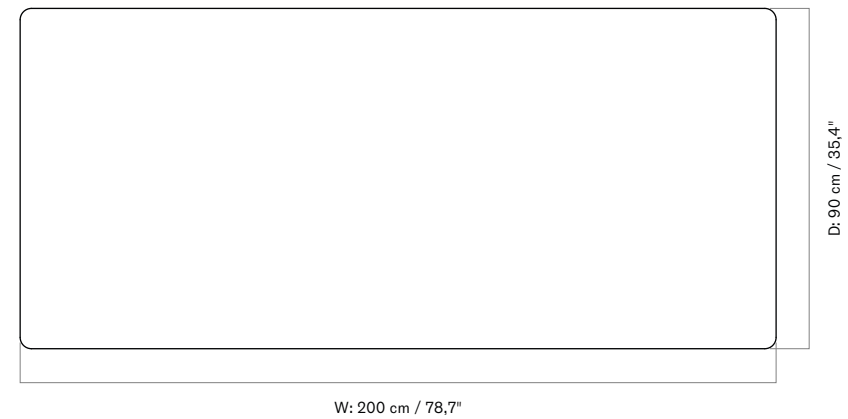
TEST  
EN 15372:2016, L2

CERTIFICATIONS  
TSCA title VI compliant  
Crafted from FSC certified oak veneer

PACKAGING TYPE  
Brown box

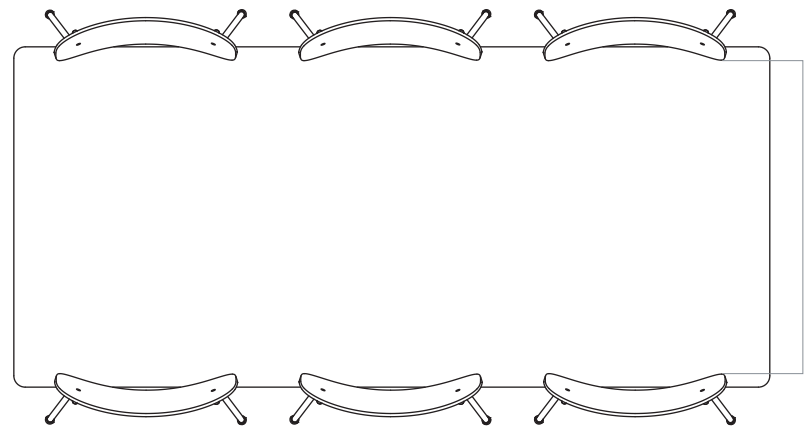
PACKAGING MEASUREMENTS  
(H x W x D)  
19 cm x 205,5 cm x 96 cm /  
7,5" x 80,1" x 37,8"

MATERIALS & MAINTENANCE  
Please visit [audocph.com](http://audocph.com) for materials, care and maintenance instructions.

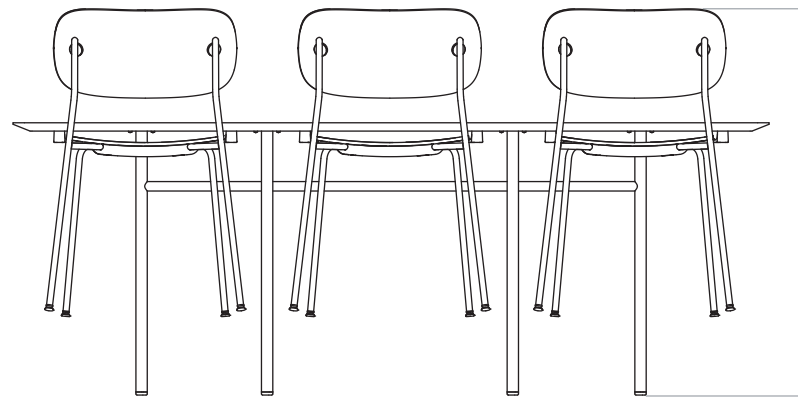


TECHNICAL SPECIFICATIONS

Snaregade Dining Table, Rectangular with seat runner and Co Dining Chair.



D: 82 cm / 32.3"



H: 102 cm / 40.2"

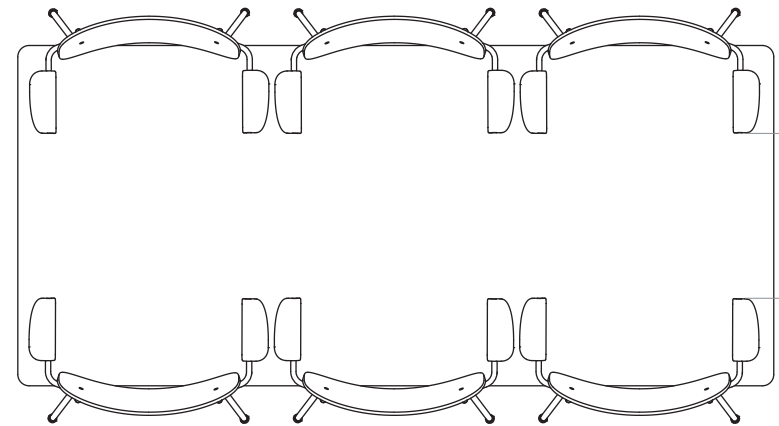


H: 23 cm / 9"

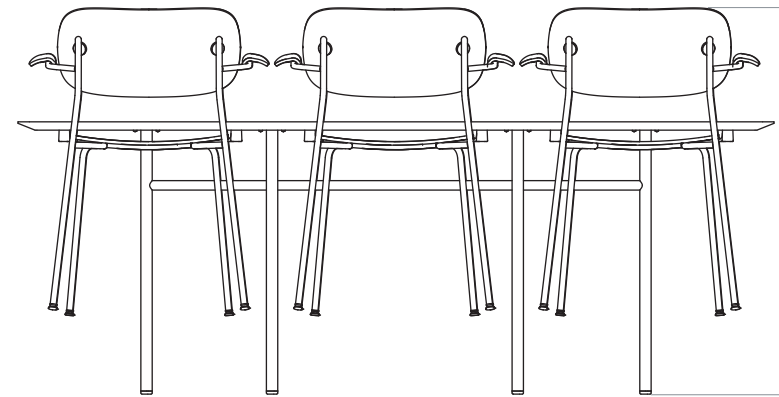
D: 110 cm / 43.5"

TECHNICAL SPECIFICATIONS

Snaregade Dining Table, Rectangular with seat runner and Co Dining Chair w/Armrest.



D: 44 cm / 17.3"



H: 102 cm / 40.2"



H: 23 cm / 9"

D: 110 cm / 43.5"