

MAINTENANCE

The high quality of the materials used in its production by Edizioni Design makes its products long lasting.

Maintenance tips:

painted metal

metal plating bath

(brass, bronze, steel)

Use cold water and non-abrasive liquid detergents and non-aggressive. Apply with a soft cloth.

brass

Create a solution with warm water and a mild detergent. Dip a soft cloth in soapy water and use it to clean the dirty surface.

RECYCLING

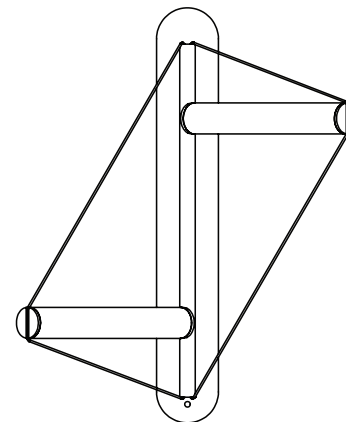
The crossed bin symbol indicates that the product can not be eliminated with household waste. The product must be recycled in accordance with local environmental regulations for waste disposal. Separating a product bearing this symbol from household waste, and help to reduce the volume of waste going to incinerators or landfills, thus minimizing any possible negative impact on human health and the environment.

PACKAGING

All the packaging that surrounds and protects the product - cardboard, plastic packaging, paper material - can be recycled 100%, according to the general directions given locally (or dumpsters ecological oasis dedicated). This is the best way to contribute to environmental sustainability: avoid waste and avoid "dirty" with too much waste the environment.



EDIZIONI
DESIGN



ed064
applique

TECHNICAL SPECIFICATION SHEET

ed064

applique

ed064.01 brass

DESCRIPTION

Applique with brushed brass structure and frosted light tubes.

ENVIRONMENT

Indoor only

To avoid oxidation of the metal surfaces, do not place in high umidity locations.

Weight: 4 kg

MATERIALS

Structure: brass with brushed brass finishing

Tubes: PMMA

ELECTRICAL SPECIFICATIONS

Bulb: custom LED strip (INCLUDED)

Voltage: 24V

Power: 24W

Color temperature: 3.000° K

Rated useful luminous flux: 1.260 lm

Nominal LED lifetime: 15.000+ h

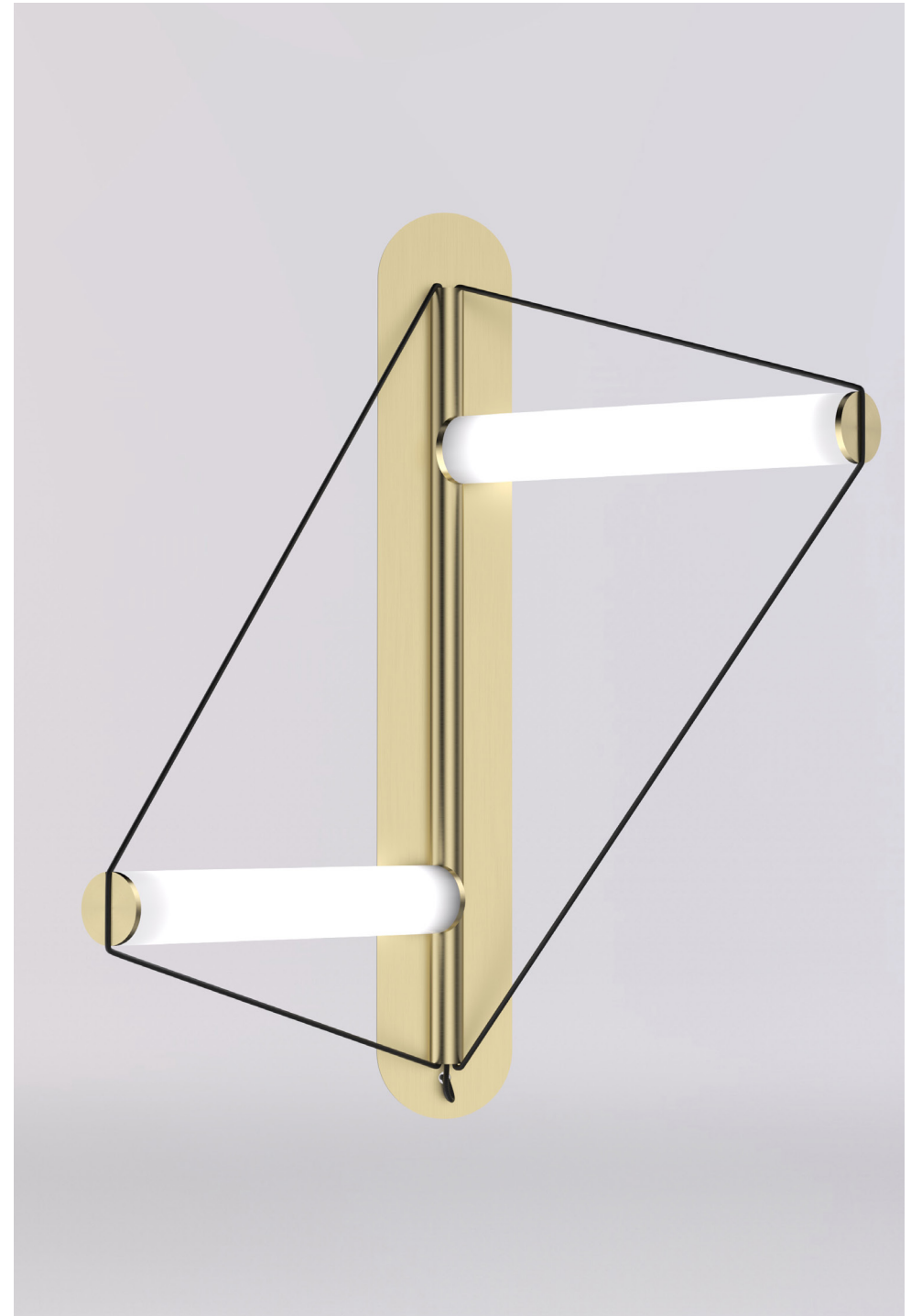
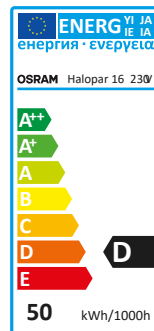
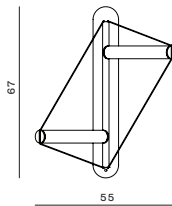
LED DRIVER OUTPUT SPECIFICATIONS

DC voltage: 24V

Rated current: 1.5A

Rated power: 24W

Ripple & Noise (max): 180mVp-p



Made in Italy

WARNING: FOR INTERIOR USE ONLY!